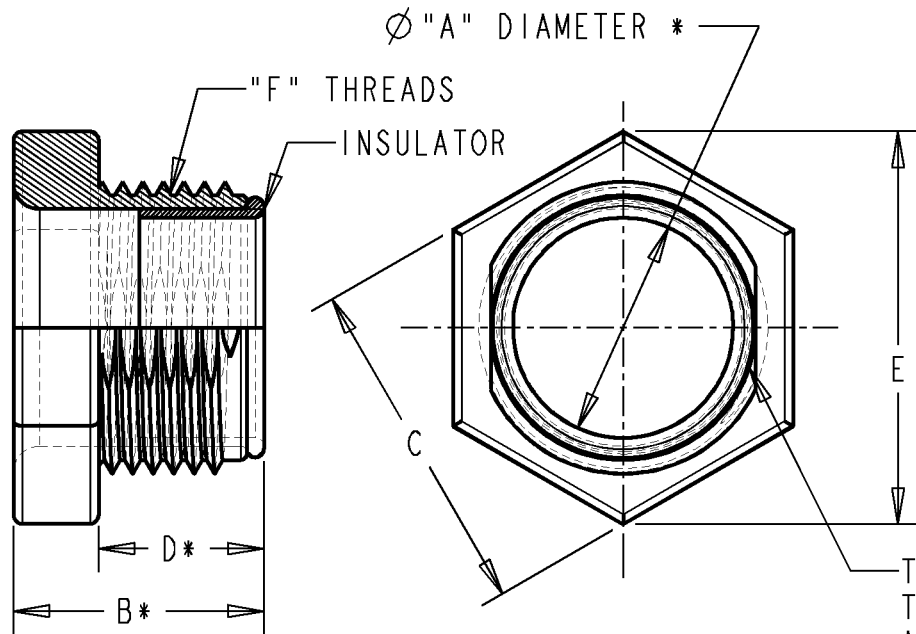
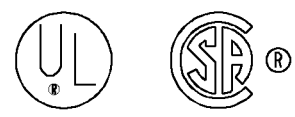


ALL DIMENSIONS ARE APPROXIMATE TO THE NEAREST 1/64"



THIS DRAWING
SUPERCEDES 035-73419



*INCLUDES INSULATOR (HA-800 SERIES ONLY)

THREADS MAY BE
TAPERED FLAT
AT PARTING LINES
ON CASTING

HA-210	4"	4-3/32"	1-3/4"	4-25/32"	1-23/64"	5-15/32"	4"-8 NPS
HA-209	3-1/2"	3-39/64"	1-45/64"	4-13/64"	1-5/16"	4-13/16"	3 1/2"-8 NPS
HA-208	3"	3-1/8"	1-37/64"	3-57/64"	1-13/64"	4-7/16"	3"-8 NPS
HA-207	2-1/2"	2-33/64"	1-15/32"	3-1/8"	1-5/64"	3-37/64"	2 1/2"-11 1/2 NPS
HA-206	2"	2-5/64"	1-1/4"	2-19/32"	1-3/64"	2-61/64"	2"-11 1/2 NPS
HA-205	1-1/2"	1-37/64"	1-1/64"	2-7/64"	13/16"	2-25/64"	1 1/2"-11 1/2 NPS
HA-204	1-1/4"	1-25/64"	1-5/64"	1-23/32"	7/8"	1-31/32"	1 1/4"-11 1/2 NPS
HA-203	1"	1-3/64"	25/32"	1-25/64"	35/64"	1-35/64"	1"-11 1/2" NPS
HA-202	3/4"	53/64"	11/16"	1-3/16"	27/64"	1-11/32"	3/4"-14 NPS
HA-201	1/2"	5/8"	11/16"	15/16"	29/64"	1-1/16"	1/2"-14 NPS
HA-810	4"	4-3/32"	1-27/32"	4-25/32"	1-29/64"	5-15/32"	4"-8 NPS
HA-809	3-1/2"	3-39/64"	1-13/16"	4-13/64"	1-27/64"	4-13/16"	3 1/2"-8 NPS
HA-808	3"	3-1/8"	1-43/64"	3-57/64"	1-19/64"	4-7/16"	3"-8 NPS
HA-807	2-1/2"	2-33/64"	1-35/64"	3-1/8"	1-5/32"	3-37/64"	2 1/2"-11 1/2 NPS
HA-806	2"	2-5/64"	1-21/64"	2-19/32"	1-1/8"	2-61/64"	2"-11 1/2 NPS
HA-805	1-1/2"	1-37/64"	1-3/32"	2-7/64"	57/64"	2-25/64"	1 1/2"-11 1/2 NPS
HA-804	1-1/4"	1-25/64"	1-11/64"	1-23/32"	31/32"	1-31/32"	1 1/4"-11 1/2 NPS
HA-803	1"	1-3/64"	55/64"	1-25/64"	5/8"	1-35/64"	1"-11 1/2" NPS
HA-802	3/4"	53/64"	29/32"	1-3/16"	33/64"	1-11/32"	3/4"-14 NPS
HA-801	1/2"	5/8"	57/64"	15/16"	17/32"	1-1/16"	1/2"-14 NPS
CAT #	SIZE	"A"	"B"	"C"	"D"	"E"	"F"

GENERAL NOTES	
1. DIMENSIONS IN PARENTHESES () ARE IN METRIC UNITS.	
REVISIONS	
-	SEE ERN (...) FOR APPROVAL SIGNATURES
PROJECT NO:	

SteelCity

Thomas & Betts
www.tnb.com

DESCRIPTION: CONDUIT NIPPLES

ORIGINAL PROJECT NO / (ERN NO)	SHEET NO:	REV. NO:	DRAWING NO:
RM401818 / (2003183)	1 OF 1	-	WSD-000066