

# Hubbell-PRO 30 & 60A Motor Disconnects

# HUBBELL

## Features

- UL 508 / UL 60947-4-1
- 30 & 60A Options
- HP Rated
- Type 4X, 12
- Accepts up to 2 Auxiliary Contacts
- OSHA Compliant LO/TO Handle
- Compact, Installation Friendly Enclosure
- Unable to Open the Cover when ON Position;  
Cover Locked when Energized



## Ordering Information

Catalog Number	Amps	Description	HP Rating			NO & NC Aux Contacts*	2 NO Aux Contacts*
			240 3ØVAC	480 3ØVAC	600 3ØVAC		
<b>MD30</b>	30 Amp	Disconnect Enclosure	7.5	15	15	<b>MDAC2</b>	<b>MDAC2NO</b>
<b>MD30XL</b>	30 Amp	XL Disconnect Enclosure	7.5	15	15	<b>MDAC2</b>	<b>MDAC2NO</b>
<b>MD60</b>	60 Amp	Disconnect Enclosure	20	40	40	<b>MDAC2</b>	<b>MDAC2NO</b>

\*Break before main action

## 30 Amp Accessories

30 Amp	Catalog Number
Ground Module	<b>MDGB</b>
Neutral Pole	<b>MDNB</b>
30A Additional Pole	<b>MD4P</b>

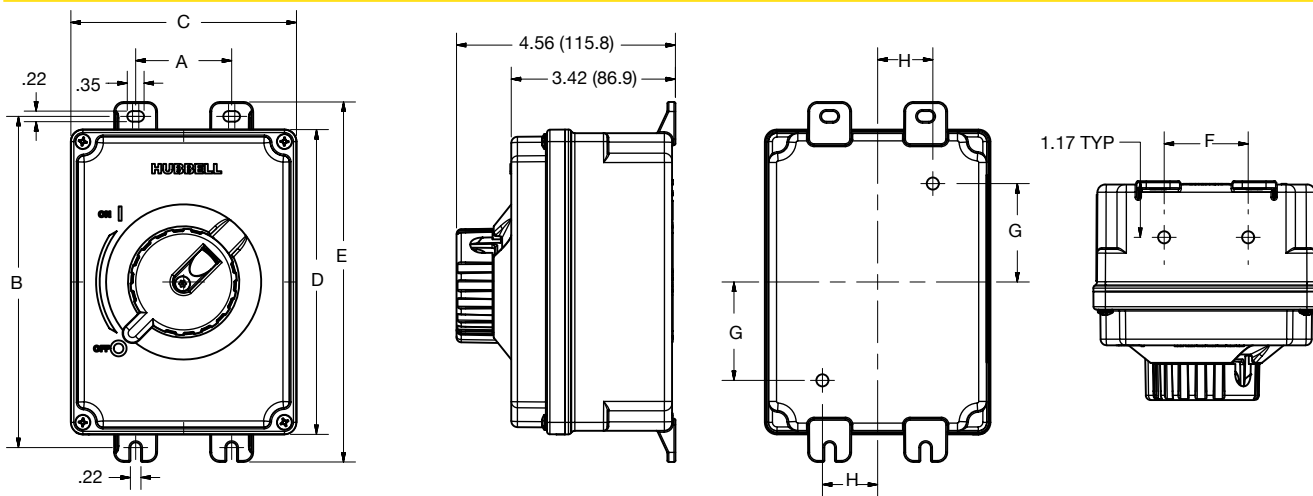
## 60 Amp Accessories

60 Amp	Catalog Number
Ground Module	<b>MD60GB</b>
Neutral Pole	<b>MD60NB</b>

## Materials

Cover	Polycarbonate
Base	Polycarbonate
Handle	Polycarbonate
Assy. Screws	Stainless Steel

## Dimensions Inches (mm)



Catalog Number	A	B	C	D	E	F	G	H
<b>MD30</b>	2.00 (51)	7.00 (178)	4.70 (119)	6.35 (161)	7.50 (191)	1.75 (44.5)	2.05 (52)	1.15 (29)
<b>MD30XL, MD60</b>	3.50 (89)	9.50 (241)	6.00 (152)	8.90 (226)	10.00 (254)	2.25 (57)	3.00 (76)	1.50 (38)

**HUBBELL**<sup>®</sup>  
Wiring Device-Kellems

[www.hubbell-canada.com/wiring](http://www.hubbell-canada.com/wiring)

