



VPR

REMODEL VAPOUR BARRIER

Product codes

VPR-400 : 4.75" (121mm) - Hole Diameter

VPR-600 : 6.25" (159mm) - Hole Diameter

The remodel Vapour Barrier unit may be used with all NDR remodel housings, as well as all Razor series products.

Ideal for high energy efficiency construction. Rated for 90-°C.

Can be used with the following remodel housings:

VPR-400

- R300, R425, R450, K150H

VPR-600

- R500

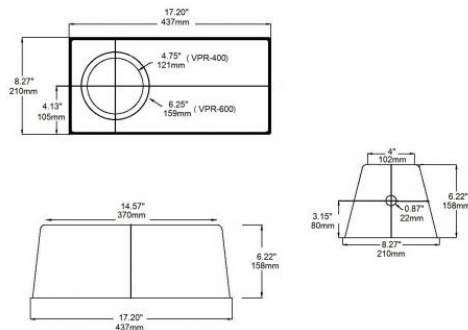
Can be used with the following Razor Series:

VPR-400

- RZR-300, RZR-400, RZR-410, RZR-420, RZR-430

VPR-600

- RZR-600, RZR-610, RZR-630



Données techniques

Height 6.22" (158.0 mm)

Width 8.27" (210.1 mm)

Length 17.2" (436.9 mm)