

SLUG-BUSTER® HYDRAULIC KNOCKOUT KITS

Slug-Buster® Ram and Hand Pump Kits (Inch and Metric)



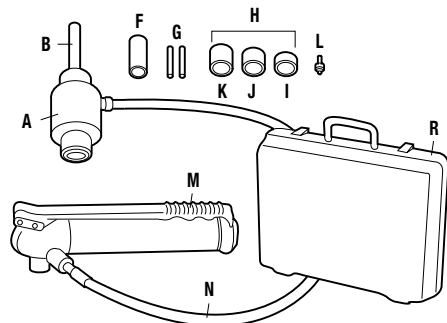
- Fast, easy and simple to operate.
- Compact design for field use on construction sites and maintenance jobs.
- Punches 10 times faster than wrench method.
- Will also drive 751 Cable Cutter head.
- Can be used with most standard round Slug-Buster® and Slug-Splitter SC™ punches (not 1/2", 9/16", 5/8").
- Can be used with non-round punches (adapter may be required).
- 3-foot hose
- Powerful 11-ton hydraulic ram.

CAT NO.	UPC NO.	DESCRIPTION	WEIGHT	
			LBS.	KG.
7646	15906	Driver with Hand Pump, Draw Studs, Spacer and Plastic Case	20	9.1
7306SB	34360	Driver, Hand Pump, Slug-Buster® Punches, Dies and Draw Studs for 1/2" through 2" Conduit, Adapter, Spacers, Kwik Stepper® Step Bit and Plastic Case	24	10.9
7310SB	34361	Driver, Hand Pump, Slug-Buster® Punches, Dies and Draw Studs for 1/2" through 2" and 2-1/2" through 4" Standard Conduit Size Punches, Dies and Draw Studs, Adapter, Spacers, Kwik Stepper® Step Bit and Plastic Case	54	24.5
7646Pg-SB	32799	Metric – Driver, Slug-Buster® Pg Punches, Dies and Draw Studs for 15.2 mm through 60.0 mm, Adapter, Spacers, Kwik Stepper® Step Bit and Plastic Case	24	10.9
38520	38520	Driver, Hand Pump, Slug-Buster® Punches and Draw Studs for 1/2" through 3" and 4" Conduit, Adapter, Spacers, Kwik Stepper® Step Bit and Plastic Case	48	21.8

STEEL CAPACITIES FOR CONDUIT SIZES

REQUIRED DRAW STUD AND ACCESSORIES	STANDARD PUNCHES AND SLUG-BUSTER®									
	1/2"	3/4"	1"	1-1/4"	1-1/2"	2"	2-1/2"	3"	3-1/2"	4"
3/4" Stud (2113B), 3/8" Stud (20963) & Spacers										
3/4" Stud (2113B), Long Spacer										
3/4" Stud (2113B), Short Spacer										
3/4" Stud (2113B)										
3/4" Stud (2113B), & Sleeve (03170)										

10 GA. MILD STEEL



RAM AND HAND PUMP HYDRAULIC DRIVER PARTS IDENTIFICATION

KEY	CAT. NO.	UPC NO.	DESCRIPTION	
	A	746	17091	Ram (includes Item B)
	B	2113B	10109	Draw Stud-3/4" x 5 3/8"
	F	1557AA	03170	Punch Sleeve
	G	20963	20963	Draw Stud-3/8" x 4.8"
	H	15908		Spacer Group (includes Items I, J and K)
	I	1924AA	03248	Spacer-Short
	J	1925AA	03249	Spacer-Medium
	K	1926AA	06904	Spacer-Long
	L	34410		Kwik Stepper® Step Bit 1/2"
	M	767	13284	Hydraulic Hand Pump
	N	06302	06302	High Pressure Hose-1/4" x 3'
	R	30206		Plastic Case