



3-Pole Contactors

20 HP (460V)

32 FLA

Contactor catalog numbers are shown in the shaded area in the **Contactor Selection and Data** table. To complete the catalog number, replace the asterisk (*) with the appropriate digit from the shaded area in the **Coil Selection** table. Additional coil information is shown in the **Coil Data** table.

Contactor Selection and Data		20hp @ 460V AC-3 (16 kW @ 380/415V, 50 Hz)
AC Contactors	Full Voltage Non-Reversing	CL04A310M*
	Reversing	LAR04A*
DC Contactors	Full Voltage Non-Reversing	CL04D310M*
	Reversing	LDR04A*
Aux. Contacts	Maximum Aux. Contacts	6
	Maximum Contact Block Configuration	4 Front-Mount plus 1 Side-Mount, or 2 Front-Mount plus 1 Side-Mount on each side
Aux. Contacts (A600, P600) (Built in)		1NO
Continuous Amp Rating (UL)		54
AC-1 Amperes (IEC)		60
AC-2/AC-3	Max. FLA	32
	Max. Hp (1-Phase)	
	115 Volts	2
	230 Volts	5
	Max. Hp (3-Phase)	
	200 Volts	10
230 Volts	10	
460 Volts	20	
575 Volts	25	
AC-4 Max. Hp	200 Volts	10
	230 Volts	10
	460 Volts	20
	575 Volts	25
Mechanical Life (millions of operations)		20
Elec. Endurance (AC-3) At Rated Current (millions of operations)		2
Maximum Operational Current 460V and Below	AC-1 ≤ 1200 ops./hour	54
	3000 ops./hour	27
	AC-3 ≤ 1200 ops./hour	32
	3000 ops./hour	11.2
	AC-4 360 ops./hour max	32
Net Weight	Contactor	1 lb. 2 oz.
	Class 10 Overload Relay	7 oz.
Wire Size - Power Terminals 75°C (Cu) AWG		14-8
Torque (Main) in.-lb.		16
Noise (dba)		25

Coil Selection

AC Voltage		DC Voltage	Coil * Suffix
60 Hz	50 Hz		
24	24	—	1
—	—	12	B
—	—	24	D
48	42	—	F
—	—	48	G
120	110	—	J
—	—	125	K
208	—	—	L
277	220/230	—	M
240	—	—	S
—	—	250	T
480	380/400	—	U
—	415	—	W
600	500	—	Y

Coil Data

	AC Voltage	DC Voltage
Burden		
Inrush	88 VA	7.5 W
Holding	9 VA	7.5 W
Pick-up Voltage (% Of Coil Volts)	85-110	80-110
Drop-Out Voltage (% Of Coil Volts)	40-55	15-30
Switching Delay (ms)		
Switching Delay On		
Coil Voltage at +10% to -20%	7-25	35-70
Coil Voltage At Rated Value	10-19	40-65
Switching Delay Off		
Coil Voltage at +10% to -20%	5-25	40-65
Coil Voltage At Rated Value	5-25	40-65
Maximum Operations per Hour		
No Load	9000	3600
Rated Load — AC1, AC3	1200	1200
Rated Load — AC4	360	360

REFERENCES

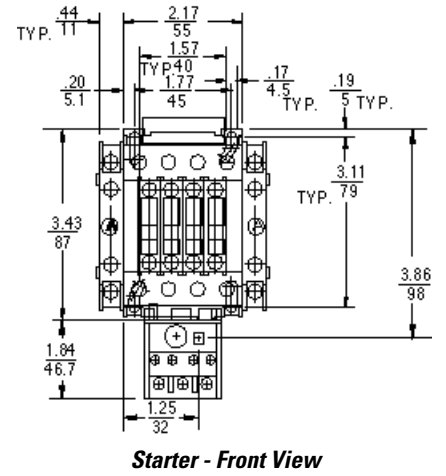
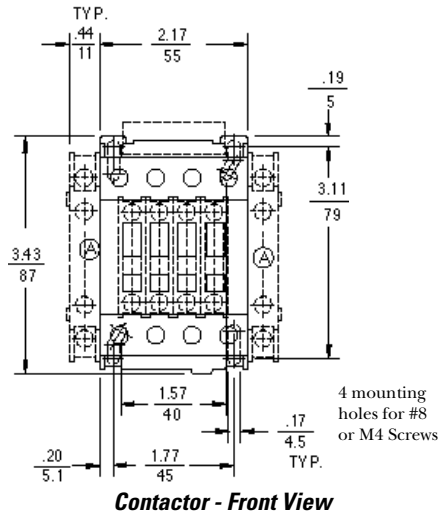
Standards and Listings	Page 41
Overload Relays	Pages 26-29
Accessories	Pages 30-37
Life Curves	Pages 42-44
Additional Coil Information	Page 37
Instruction Sheet	GEH-6224
UL File Number	E76233
CSA File Number	LR30821

3-Pole Contactors 20 HP (460V) 32 FLA

Legend and Notes for Illustration

- Ⓐ Extra Auxiliary Contacts, Side Mounted (if used)
- Ⓑ Extra Auxiliary Contacts, Front Mounted (if used)
- Ⓒ Pneumatic Timer (if used)
- Ⓓ Mechanical Latch (if used)
- Ⓔ Transient Voltage Suppressor

Add ½ inch for electrical clearance to enclosure.



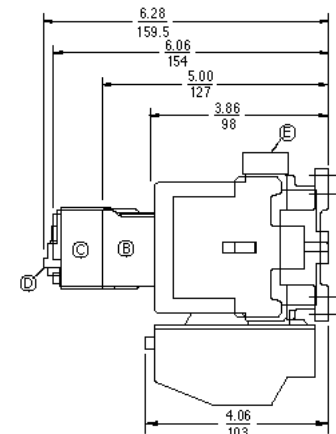
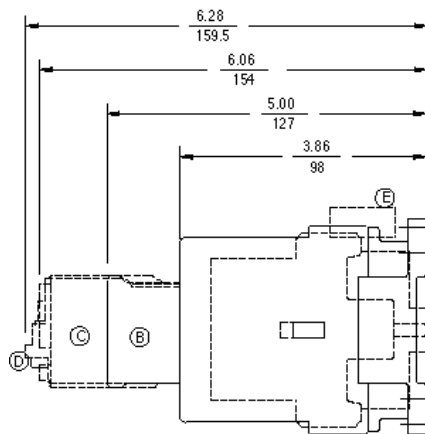
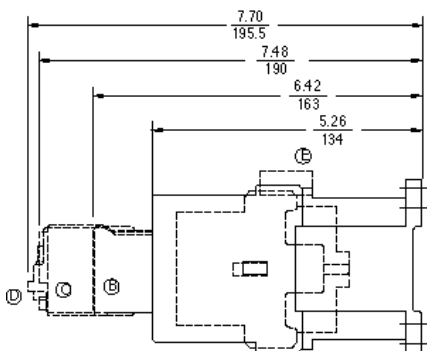
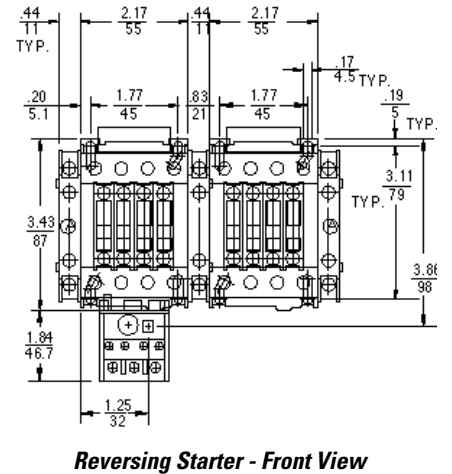
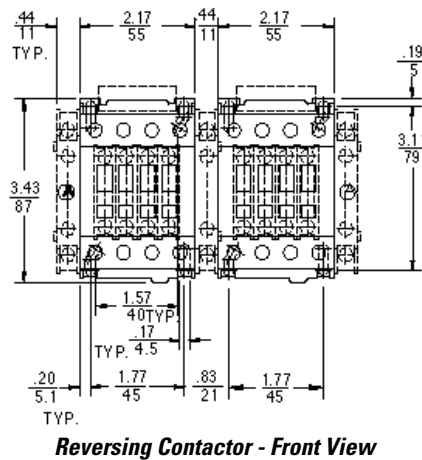
Engineering Outline Drawings

AC

Contactor	55-215783
Starter	55-215825
Reversing Contactor	55-215792
Reversing Starter	55-215793

DC

Contactor	55-215836
Starter	55-215869
Reversing Contactor	55-215777
Reversing Starter	55-215808



General Specifications

Standards And Listings	IEC 947-1	BS 5424	CSA C.22.2/14
	IEC 947-4	BS 775	EN 50005
	IEC 158-1	CEI 17-3/252	UNE 20109
	GENELEC HD419	ASE 1025	VDE 0660/102
	NFC.63-110	UL 508	CE Mark

Pending Standards And Listings SEMKO, NEMKO, DEMKO, Lloyds Register

Ambient Temperature
 Operating -13° to +131°F/-25° to +55°C
 Storage -58° to +176°F/-50° to +80°C

Altitude Derating
 Up to 10,000 ft. (3,000 m) Nominal Values
 10,000 to 13,200 ft. (3,000 to 4,000 m) 90% rated current
 13,200 to 16,000 ft. (4,000 to 5,000 m) 80% rated current

Rated Insulation Voltage 600 VAC, $U_1 = 1000V$ (IEC 947-1)

Mounting Position
 3-Pole and 4-Pole CL Contactors (5-75 hp) To maintain operating integrity, the contactor must be mounted in one of the positions shown below:



3-Pole and 4-Pole CK Contactors (100-500 hp) The contactor must be installed vertically or tilted a maximum of 30° from vertical, as shown below:

