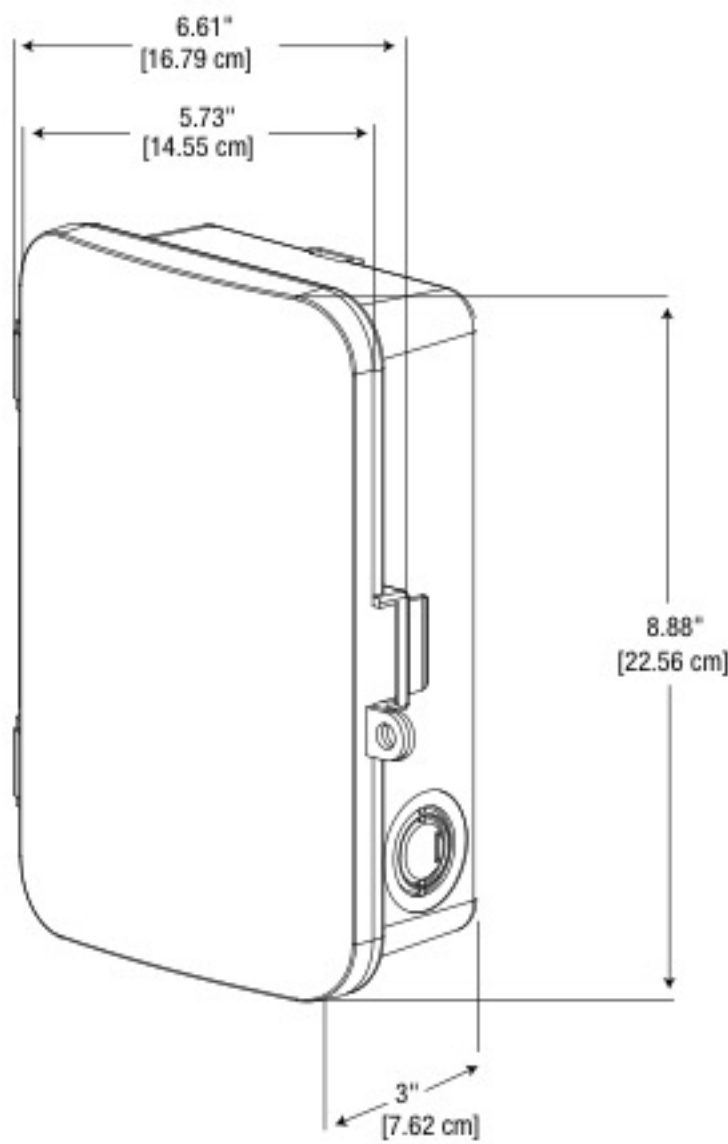




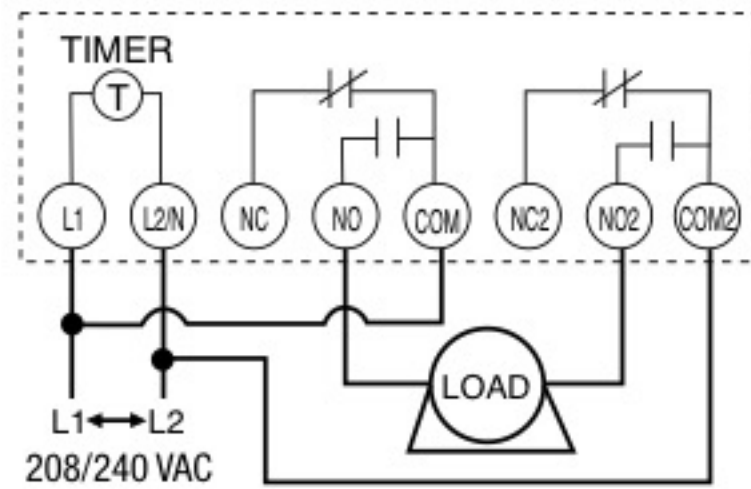
GM40AVE

Dimensions

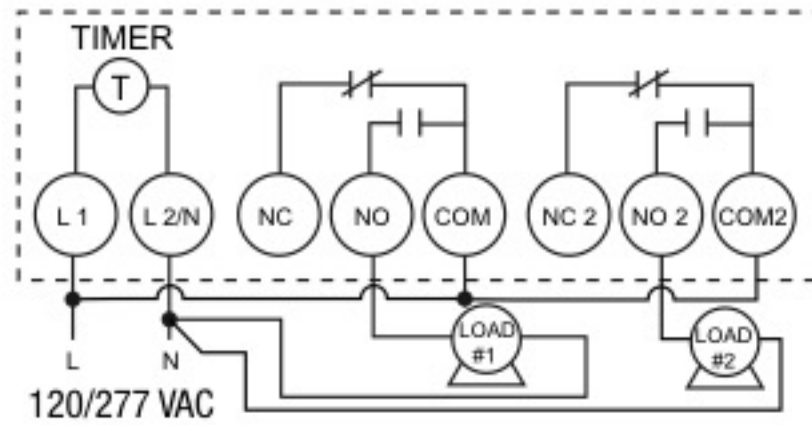


Wiring Diagrams

Typical wiring diagram 208/240 VAC



Typical wiring diagram 120/277 VAC



GM40AVE

40 A Auto-Voltage General Purpose Electronic Time Switch

The GM40AVE is a universal, electronic time switch designed for general purpose residential and commercial applications. The robust 40 A time control automatically detects the input voltage without the use of a DIP switch or selector pins. The time switch automatically selects any voltage between 120 VAC and 277 VAC. The mechanism is mounted in a compact UL Type 3R outdoor enclosure and can also be easily retrofitted into other Intermatic enclosure types. The time control features a DPDT switching configuration standard (i.e. two normally open and two normally closed contacts).

Applications

The GM40AVE is a robust time switch that is capable of switching high amperage in all types of applications, including:

- Lighting control • Access control • Commercial refrigeration
- General electrical circuits • Pumps/motors/fan control

Features

- Heavy-duty 40 A contact rating
- Automatically adjusts voltages between 120-277 VAC
- 24-Hour/7-day flexible scheduling
- Power and status LED indicators
- DPDT switching configuration (2 NO and 2 NC Contacts)
- 20 Setpoint programs
- Temporary manual override with load status indication
- Lithium battery backup with 7-year carry-over
- Type 3R outdoor enclosure with lockable hasp
- To-the-minute accuracy

Model #	Input Voltage	Battery Backup
GM40AVE	120-277 VAC, 50/60 Hz	Yes, 7-yr carry-over

SPECIFIERS GUIDE

Furnish and install a Grässlin GM40AVE Auto-Voltage 24-Hour/7-Day Electronic Time Switch with digital display. Input voltage shall be 120-208/240 or 277 VAC that the unit automatically detects and selects. All units shall incorporate DPDT contacts that shall be rated at 40 A, 2 HP @ 277 VAC. To set the starting time and to provide time indication, the unit shall have 24-Hour/7-Day to-the-minute programming and also offer 10 ON and 10 OFF setpoint programs and include 3 preset block programs to allow a selection of any combination of days for different weekday schedules. LED indicators shall provide power and status feedback. Enclosure shall be UL Type 3R suitable for both indoor/outdoor installation. The time switch shall contain a manual override for temporary ON/OFF to the next scheduled event and load status indication in LCD. The time switch shall have a 7-year carry-over.



Ratings	
Supply Voltage	120-208/240 or 277 VAC, 50/60 Hz
Switch Type (2 NO/NC Contacts)	DPDT
Switch Ratings (NO Contacts)	
Resistive	40 A, 120-277 VAC
Ballast	30 A, 120 VAC; 20 A, 277 VAC
Tungsten	15 A, 120 VAC
Switch Ratings (NC Contacts)	
Resistive	30 A, 120-277 VAC
Ballast	10 A, 277 VAC
Tungsten	2 A, 120 VAC
Motor	
NO	1 HP, 16 FLA, 90 LRA @ 120 VAC 2 HP, 12 FLA, 52 LRA @ 208-277 VAC
NC	1 HP, 12 FLA, 30 LRA @ 120 VAC 2 HP, 10 FLA, 30 LRA @ 240 VAC
Operating Temperature	-40° F to 131° F (-40°C to 55°C)
Operating Humidity	0-95% RH, non-condensing
Wiring Terminals	Screw box lug
Electrical Life	50,000 operations at full load
Shipping Weight	3 lbs (1.36 kg)
Warranty	1-year limited