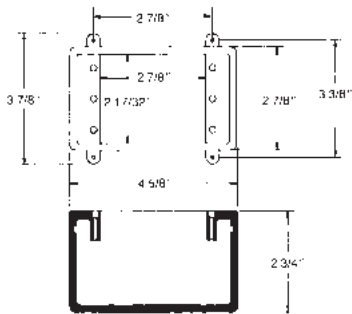


Switch Boxes

Single Gang FD Deep Device Boxes

All sizes take standard covers and accessories or devices. Integral mounting feet provide easy mounting. Grounding lugs included.

Type FD

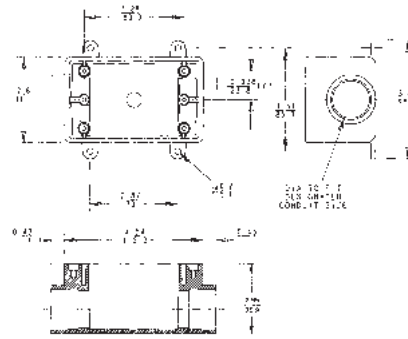


For terminations where hub requirements vary according to application – hubs easily made with flared wood bit or hole saw.



Cat. No.	Volume Cu. In.	Std. Ctn. Qty.
C9801-UPC	25	10

Type FDC

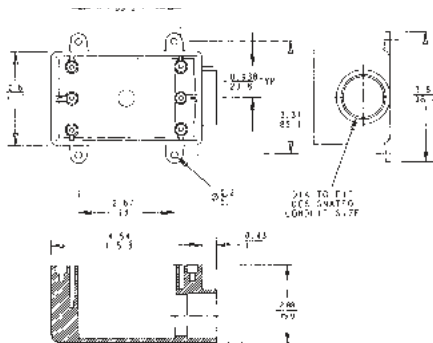


For through terminations where large devices or additional wiring capacity is required.



Cat. No.	Size (in.)	Volume Cu. In.	Std. Ctn. Qty.
C9811EN	3/4	25	10
C9811FN	1		

Type FDE



For dead-end terminations where large devices or additional wiring capacity is required.



Cat. No.	Size (in.)	Volume Cu. In.	Std. Ctn. Qty.
C9801DN	1/2	25	10
C9801EN	3/4		
C9801FN	1		