

## Suspension Systems - NEMA 12, 13

Heavy Duty 50 mm or 80 mm Components

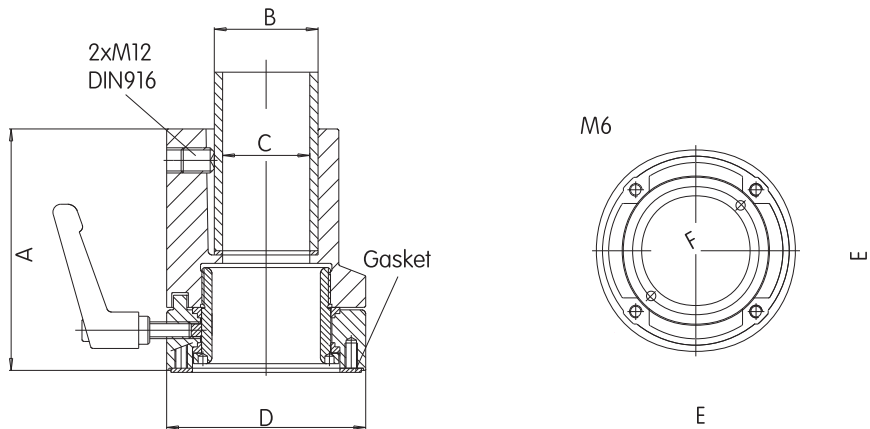
Operator Interface Enclosure



### Enclosure Coupling

- Cast aluminum.
- Large thrust flange.
- Fastens with 4 hex socket screws.
- Adjustable torque resistance.
- Features a rotation range of 300°.

Part No.	System	A	B	C	D	E	F	Ship Wt. lbs.
R147-025-000R	in 50	4.53	1.97	1.65	3.78	2.28	2.06	3
	mm	115	50	42	96	58	52.3	
R147-025-200R	in 80	5.71	3.15	2.83	5.47	3.42	3.35	7
	mm	145	80	72	139	87	85	



Suspension System



### Elbow Coupling

- Cast Aluminum
- Large thrust flange.
- Fastens with 4 hex socket screws.
- Adjustable torque resistance.
- Features a rotation range of 300°.

Part No.	System	A	B	C	D	E	Ship Wt. lbs.
R147-035-000R	in 50	6.06	4.17	5.79	3.78	2.28	5
	mm	154	106	147	96	58	
R147-035-200R	in 80	8.21	5.47	7.48	5.47	3.43	15
	mm	208.5	139	190	139	87	

