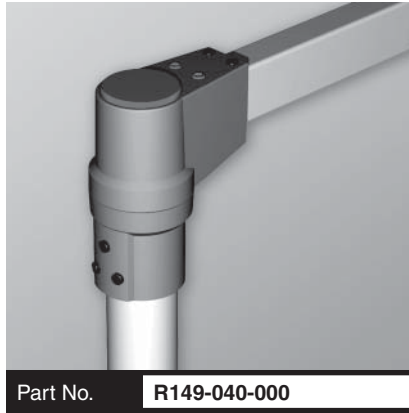


Suspension Systems - NEMA 12, 13

Tara Plus Suspension System

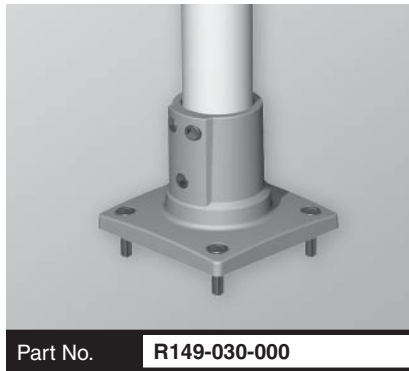
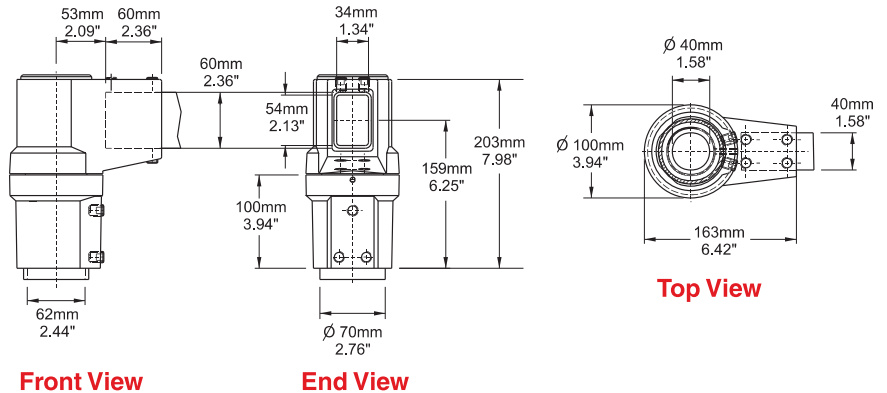
Operator Interface Enclosure



Part No. **R149-040-000**

Rotating Elbow

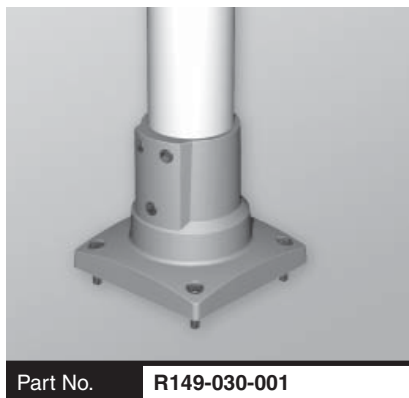
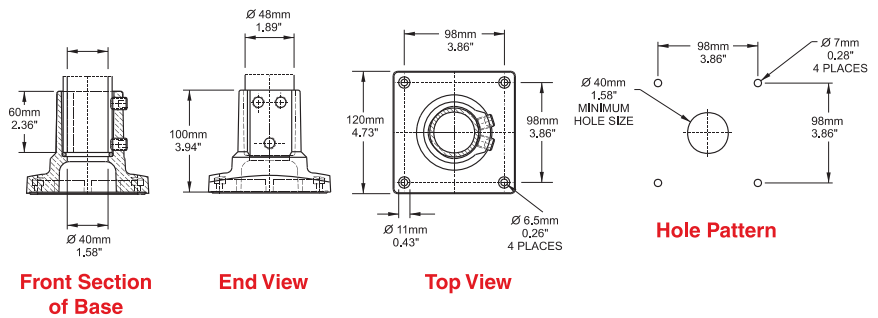
- For use with 70mm round tube and 60x40mm rectangular tube.
- Die-cast Aluminum G Al Si 12.
- Rotates 300°.
- Accessible from the top.



Part No. **R149-030-000**

Base 48

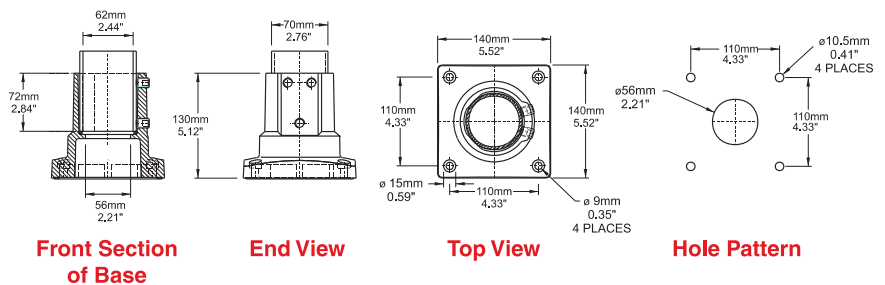
- For use with 48mm round tube.
- Not for use with any horizontal configurations.
- Compatible with tube up or tube down configurations.
- Die-cast Aluminum G Al Si 12.
- No rotation.



Part No. **R149-030-001**

Base 70

- For use with 70 mm tube.
- Compatible with all vertical and horizontal configurations.
- Compatible with tube up or tube down configurations.
- Die-cast Aluminum G Al Si 12.
- No rotation.



Suspension System