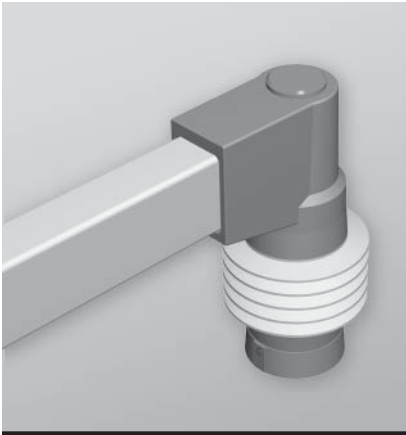


## Suspension Systems - NEMA 12, 13

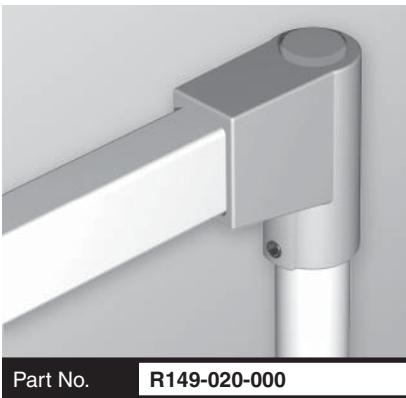
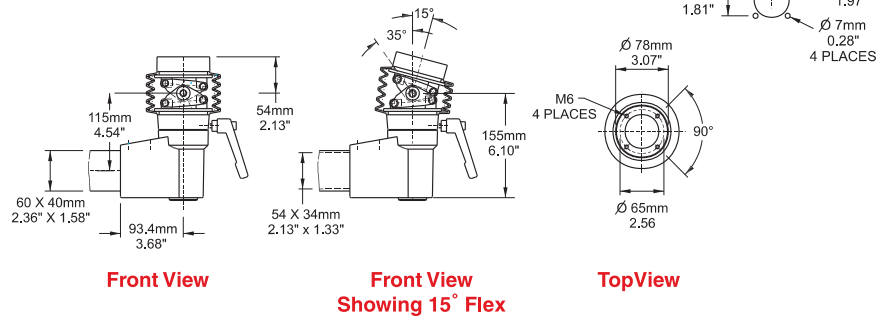
### Tara Plus Suspension System



Part No. **R149-035-001**

### Tilt Elbow Coupling

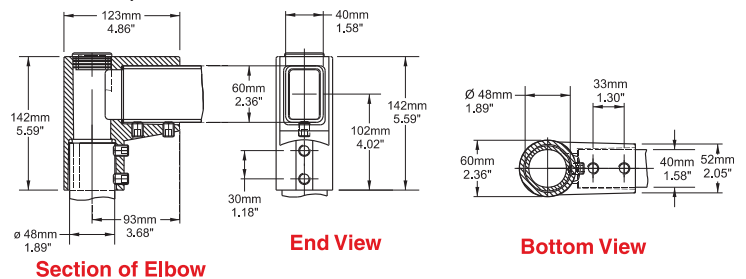
- Attaches to enclosure.
- Accepts 60x40mm rectangular tube parallel to enclosure top/bottom.
- Die-cast Aluminum G Al Si 12.
- Rotates 300°.
- Features an adjustable tilt mechanism up to 35°.



Part No. **R149-020-000**

### Fixed Elbow 48

- For use with 48mm round tube and 60x40mm rectangular tube.
- Vertical 48mm tube connection for use with Couplings only (not Base 48).
- Die-cast Aluminum G Al Si 12.
- Large cover opening for easier cable pull through.
- No rotation.
- Accessible from the top.



Part No. **R149-020-001**

### Fixed Elbow 70

- For use with 70mm round tube and 60x40mm rectangular tube.
- Die-cast Aluminum G Al Si 12.
- No rotation.
- Accessible from the top.

