



# EF9/EF9Q/EF9M Series

Micro Tungsten Lamps  
Micro Quartz Lamps, MR16 Lamps

Project/Location: \_\_\_\_\_

Contractor: \_\_\_\_\_

Date: \_\_\_\_\_

Prepared by: \_\_\_\_\_

## Features

- Variable light patterns using adjustable lens
- Fire-retardant thermoplastic
- 300° rotation



## Typical Specification

Lamp head and stem shall be injection molded, impact resistant, flame retardant thermoplastic. The lens shall be inverse concave design and fully adjustable for aisle or area distribution during installation without the need to energize the lamp. Visual identification of distribution shall be provided through position of adjustment pins.

The remote fixture shall be certified to CSA C22.2 No.250.

Fixture shall be supplied with a canopy for installation on any four inch octagon box. Housing shall be so designed to allow for lamp replacement if required. Lamp shall be \_\_\_\_\_ volts, \_\_\_\_\_ watts Model: EF9-, EF9Q- or EF9M- by Emergi-Lite.

The unit shall be **Emergi-Lite** model: \_\_\_\_\_.

## Wire Guards

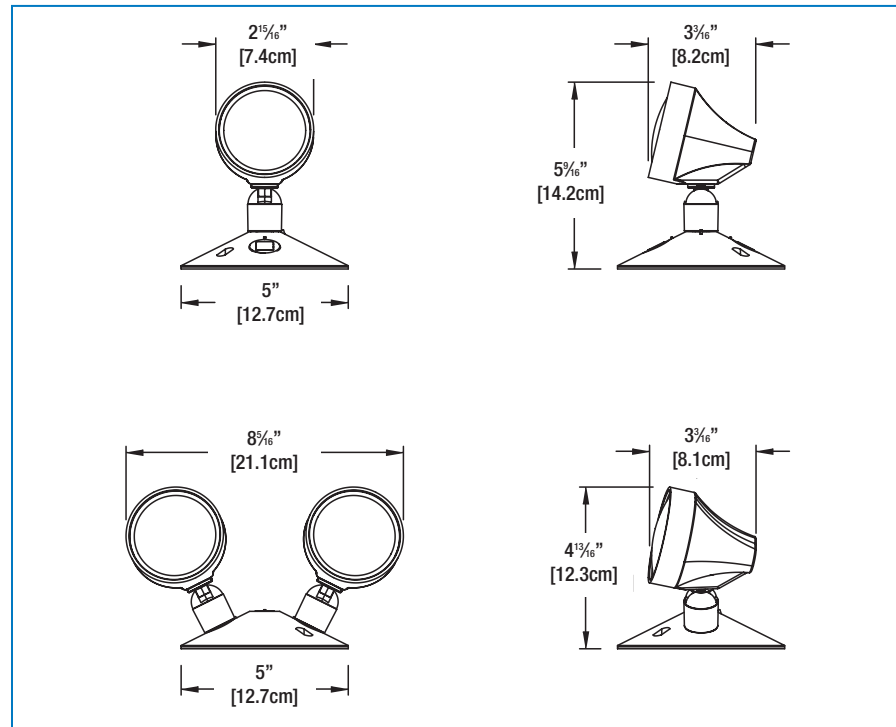
460.0029-E	Wall Mount
------------	------------

## Replacement Lamps

Model	Lamp Type	Voltage
570.0016-E	Tungsten	6V - 9W
570.0045-E	Tungsten	24V - 9W
580.0015-L	Halogen (quartz)	12V - 12W

See the complete list page 125

## Dimensions



## Ordering Information

Series	Number of lamps	Lamp Type	Colour	Voltage and Wattage
EF9= mini, par 18	<b>B</b> lank= single head <b>D</b> = double head <b>T</b> = triple head	<b>B</b> lank= tungsten, wedge base <b>Q</b> = halogen, quartz bi-pin <b>M</b> = halogen, MR16	<b>B</b> lank= factory white <b>-B</b> = black	<b>-6V9W</b> = 6V - 9 watts, wedge base <b>-12V9W</b> = 12V - 9 watts, wedge base <b>12V18W</b> = 12V - 18 watts, wedge base <b>-24V9W</b> = 24V - 9 watts, wedge base <b>-24V18W</b> = 24V - 18 watts, wedge base <b>-6V8W</b> = 6V - 8 watts, quartz bi-pin <b>-6V12W</b> = 6V - 12 watts, quartz bi-pin <b>-12V8W</b> = 12V - 8 watts, quartz bi-pin <b>-12V12W</b> = 12V - 12 watts, quartz bi-pin <b>-6V6W</b> = 6V - 6 watts, MR16 <b>-6V10W</b> = 6V - 10 watts, MR16 <b>-12V12W</b> = 12V - 12 watts, MR16 <b>-12V20W</b> = 12V - 20 watts, MR16 <b>-24V12W</b> = 24V - 12 watts, MR16 <b>-24V20W</b> = 24V - 20 watts, MR16 <b>-L</b> = 12V - 5 watts, LED

EXAMPLE: EF9Q6V8W