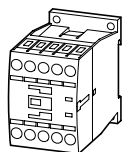


Contactors DILE(E)M → Main catalogue for industrial switchgear

Contactors DILM
3 pole



DIL		M7	M9	M12	M15
Basic units	Page	→ 2/7	→ 2/7	→ 2/7	→ 2/7
Complete units	Page	→ 2/11	→ 2/11	→ 2/11	–
Rated operational voltage		kW	kW	kW	kW

AC-3					
Rated power of three-phase motor 50 – 60 Hz					
220 V – 230 V	2.2	2.5	3.5	4	
380 V – 400 V	3	4	5.5	7.5	
440 V	4.5	5.5	7.5	8.4	
500 V	3.5	4.5	7	7.5	
660 V/690 V	3.5	4.5	6.5	7	
1000 V	–	–	–	–	

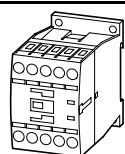
AC-4 △ Increased life span of DILM7 – DILM150 to 200.000 operations					
Rated power of three-phase motor 50 – 60 Hz					
220 V – 230 V	1	1.5	2	2	
380 V – 400 V	2.2	2.5	3	3	
440 V	2.4	3	3.6	3.6	
500 V	2.5	2.8	3.5	3.5	
660 V/690 V	2.9	3.6	4.4	4.4	
1000 V	–	–	–	–	

AC-1					
Rated power with resistive load, 40 °C					
220 V – 230 V	8	8	8	8	
380 V – 400 V	14	14	14	14	
440 V	16	16	16	16	
500 V	19	19	19	19	
660 V/690 V	25	25	25	25	
1000 V	–	–	–	–	

Conventional thermal free air current $I_{th} = I_e$ open at 40 °C					
up to 690 V	22	22	22	22	
1000 V	–	–	–	–	

Notes 1) on request

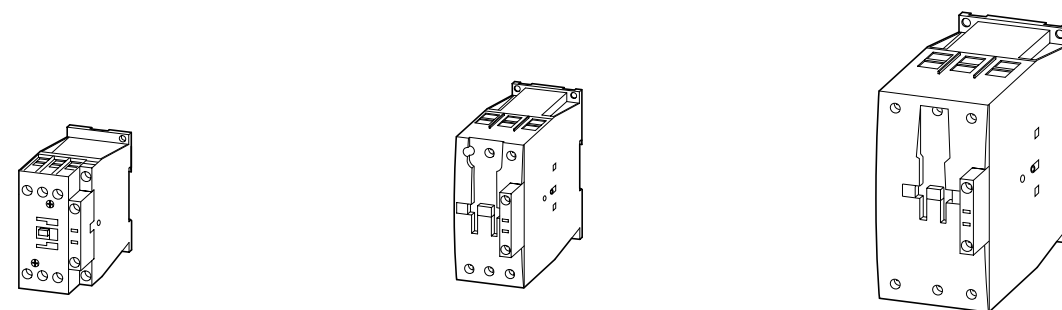
Contactors DILMP
4 pole



DIL	MP20
Page	→ 2/7

Rated operational voltage

AC-1	
Conventional free air thermal current $I_{th} = I_e$ open, at 40 °C	
up to 690 V	22



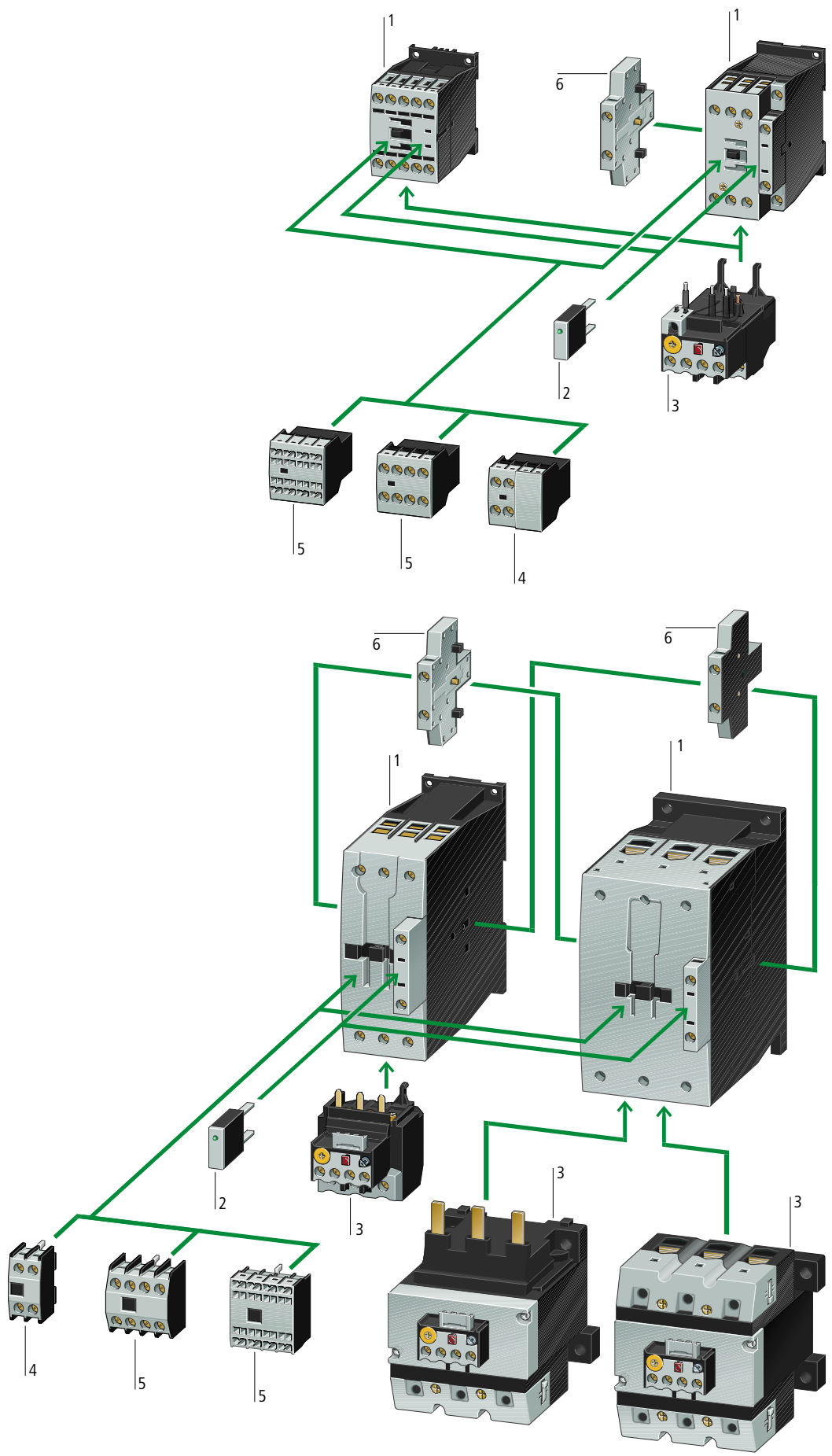
M17	M25	M32	M40	M50	M65	M80	M95	M115	M150
→ 2/7	→ 2/7	→ 2/7	→ 2/7	→ 2/7	→ 2/7	→ 2/7	→ 2/7	→ 2/7	→ 2/7
→ 2/11	→ 2/11	→ 2/11	→ 2/11	→ 2/11	→ 2/11	→ 2/11	→ 2/11	→ 2/11	→ 2/11
kW	kW	kW	kW	kW	kW	kW	kW	kW	kW

5	7.5	10	12.5	15.5	20	25	30	37	48
7.5	11	15	18.5	22	30	37	45	55	75
10.5	15.5	20	25	32	41	51	60	75	95
12	17.5	23	28	36	47	58	70	85	110
11	14	17	23	30	35	63	75	90	96
–	–	–	–	–	–	2)	2)	2)	2)

2.5	3.5	4	5	6	7	12	16	17	20
4.5	6	7	9	10	12	20	26	28	33
5.5	7	8	10	12	14	25	32	35	41
6	8	9	11	13	16	29	36	40	47
6.5	8.5	10	12	14	17	26	35	43	48
–	–	–	–	–	–	2)	2)	2)	2)

15	17	17	22	30	37	42	49	61	72
26	29	29	39	53	65	72	85	105	125
30	34	34	45	58	71	80	94	116	138
34	38	38	51	66	81	90	107	132	156
45	51	51	68	91	111	125	148	182	216
–	–	–	–	–	–	1)	1)	1)	1)

A	A	A	A	A	A	A	A	A	A
40	45	45	60	80	98	110	130	160	190
–	–	–	–	–	–	1)	1)	1)	1)



Moeller NK1210+2100+2300-1153GB-INT

Contactor up to 75 kW (AC-3/400 V)	1
Magnet systems:	
AC: 12 – 600 V, 50, 60, 50/60 Hz 0.8 – 1.1 × U_c	
DC: 12 – 250 V DILM7 – DILM15: 0,8 – 1,1 × U_c DILM17 – DILM150: 0,7 – 1,2 × U_c bei 24 V: 0,7 – 1,3 × U_c without additional auxiliary contacts and ambient temperature +40 °C	
Coils for special voltages	
"Safe isolation" to IEC 536 between coil and contacts	
→ 2/7	

Suppressors	2
RC suppressor	
Varistor suppressor	
Free-wheel diode suppressor	
→ 2/22	

Overload relays	3
Can be mounted directly	
Separate mounting, possible	
Protection of EEx e motors	
EU prototype test certificate number	
→ 3/3	
Auxiliary contact modules	4
2 pole, plug-in type	
→ 2/12	

Auxiliary contact modules	5
4 pole, plug-in type	
Overlapping contacts	
→ 2/12	
Auxiliary contact modules	6
2 pole, side mounting	
→ 2/13	



Moeller NK1210+2100+2300-1153GB-INT

AC	DILM80 (...)	DILM95 (...)	AC	DILM115 (...)	DILM150 (...)
	Article no. ¹⁾	Article no. ¹⁾		Article no. ¹⁾	Article no. ¹⁾
Standard voltages	See price list	See price list	Standard voltages	See price list	See price list
24 V 50 Hz	235904	239467	RAC 24 ⁷⁾	239545	239585
48 V 50Hz	235909	239468	RAC 48 ⁸⁾	239546	239586
240V 50Hz	235910	239469	RAC 120 ⁹⁾	239547	239587
500 V 50Hz	235911	239470	RAC 240 ¹⁰⁾	239548	239588
24 V 60 Hz	239377	239471	RAC 440 ¹¹⁾	239549	239589
110 V 60 Hz	239378	239472	RAC 500 ¹²⁾	239550	239590
115 V 60 Hz	239379	239473	DC	DILM115 (...)	DILM150 (...)
208 V 60 Hz	239384	239474		Article no. ¹⁾	Article no. ¹⁾
600 V 60 Hz	239389	239475	Standard voltages	See price list	See price list
42V 50Hz 48V 60Hz	239394	239476	RDC 24 ³⁾	239555	239591
110V 50Hz 120V 60Hz	239399	239477	RDC 60 ⁴⁾	239560	239592
190V 50Hz 220V 60Hz	239400	239478	RDC 130 ⁵⁾	239567	239593
220V 50Hz 240V 60Hz	239401	239479	RDC 240 ⁶⁾	239572	239594
230V 50Hz 240V 60Hz	239402	239480	Notes		
380V 50Hz 440V 60Hz	239403	239481	1) The article no. is formed from the combination of part no. and actuating voltage. Devices with dual-voltage coils must be ordered using one order number.		
400V 50Hz 440V 60Hz	239404	239482	2) When ordering non-standard voltages, state the required actuating voltage from the selected range (...-...V).		
415V 50Hz 480V 60Hz	239405	239483	3) 24 – 27 V DC		
24V 50Hz/60Hz	239406	239484	4) 48 – 60 V DC		
42V 50Hz/60Hz	239407	239485	5) 110 – 130 V DC		
110V 50Hz/60Hz	239408	239486	6) 200 – 240 V DC		
220V 50Hz/60Hz	239409	239487	7) 24 V 50/60 Hz		
230V 50Hz/60Hz	239410	239488	8) 42 – 48 V 50/60 Hz		
380V 50Hz/60Hz	239411	239489	9) 100 – 120 V 50/60 Hz		
Non-standard voltages with the exception of the previously stated standard voltages ²⁾	See price list	See price list	10) 190 – 240 V 50/60 Hz		
...V 50Hz (24 – 600V)	239414	239504	11) 380 – 440 V 50/60 Hz		
...V 60Hz (24 – 600V)	239415	239509	12) 480 – 500 V 50/60 Hz		
DC	DILM80 (...)	DILM95 (...)			
	Article no. ¹⁾	Article no. ¹⁾			
Standard voltages	See price list	See price list			
RDC 24 ³⁾	239416	239510			
RDC 60 ⁴⁾	239417	239511			
RDC 130 ⁵⁾	239418	239512			
RDC 240 ⁶⁾	239419	239513			

Contactors
DILM7 – DILM150

