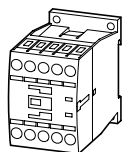


Contactors DILE(E)M → Main catalogue for industrial switchgear

Contactors DILM  
3 pole



DIL		M7	M9	M12	M15
Basic units	Page	→ 2/7	→ 2/7	→ 2/7	→ 2/7
Complete units	Page	→ 2/11	→ 2/11	→ 2/11	–
Rated operational voltage		kW	kW	kW	kW

AC-3					
Rated power of three-phase motor 50 – 60 Hz					
220 V – 230 V	2.2	2.5	3.5	4	
<b>380 V – 400 V</b>	<b>3</b>	<b>4</b>	<b>5.5</b>	<b>7.5</b>	
440 V	4.5	5.5	7.5	8.4	
500 V	3.5	4.5	7	7.5	
660 V/690 V	3.5	4.5	6.5	7	
1000 V	–	–	–	–	

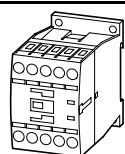
AC-4 <span style="float: right;">△ Increased life span of DILM7 – DILM150 to 200.000 operations</span>					
Rated power of three-phase motor 50 – 60 Hz					
220 V – 230 V	1	1.5	2	2	
<b>380 V – 400 V</b>	<b>2.2</b>	<b>2.5</b>	<b>3</b>	<b>3</b>	
440 V	2.4	3	3.6	3.6	
500 V	2.5	2.8	3.5	3.5	
660 V/690 V	2.9	3.6	4.4	4.4	
1000 V	–	–	–	–	

AC-1					
Rated power with resistive load, 40 °C					
220 V – 230 V	8	8	8	8	
<b>380 V – 400 V</b>	<b>14</b>	<b>14</b>	<b>14</b>	<b>14</b>	
440 V	16	16	16	16	
500 V	19	19	19	19	
660 V/690 V	25	25	25	25	
1000 V	–	–	–	–	

Conventional thermal free air current $I_{th} = I_e$ open at 40 °C					
up to 690 V	22	22	22	22	
1000 V	–	–	–	–	

Notes 1) on request

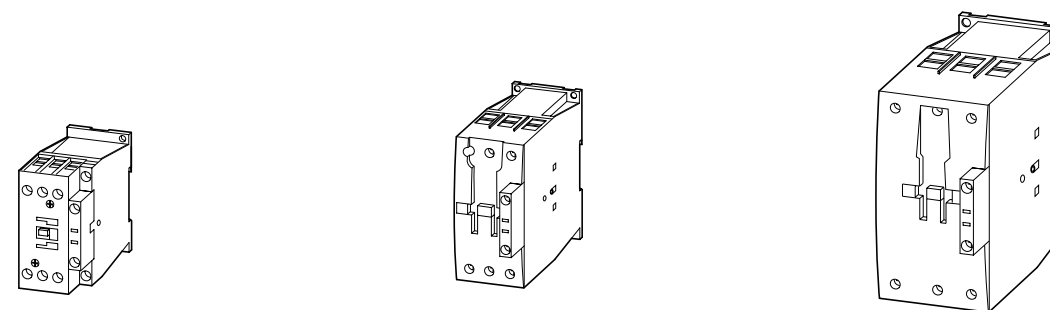
Contactors DILMP  
4 pole



DIL	MP20
Page	→ 2/7

Rated operational voltage

AC-1	
Conventional free air thermal current $I_{th} = I_e$ open, at 40 °C	
up to 690 V	22



M17	M25	M32	M40	M50	M65	M80	M95	M115	M150
→ 2/7	→ 2/7	→ 2/7	→ 2/7	→ 2/7	→ 2/7	→ 2/7	→ 2/7	→ 2/7	→ 2/7
→ 2/11	→ 2/11	→ 2/11	→ 2/11	→ 2/11	→ 2/11	→ 2/11	→ 2/11	→ 2/11	→ 2/11
kW	kW	kW	kW	kW	kW	kW	kW	kW	kW

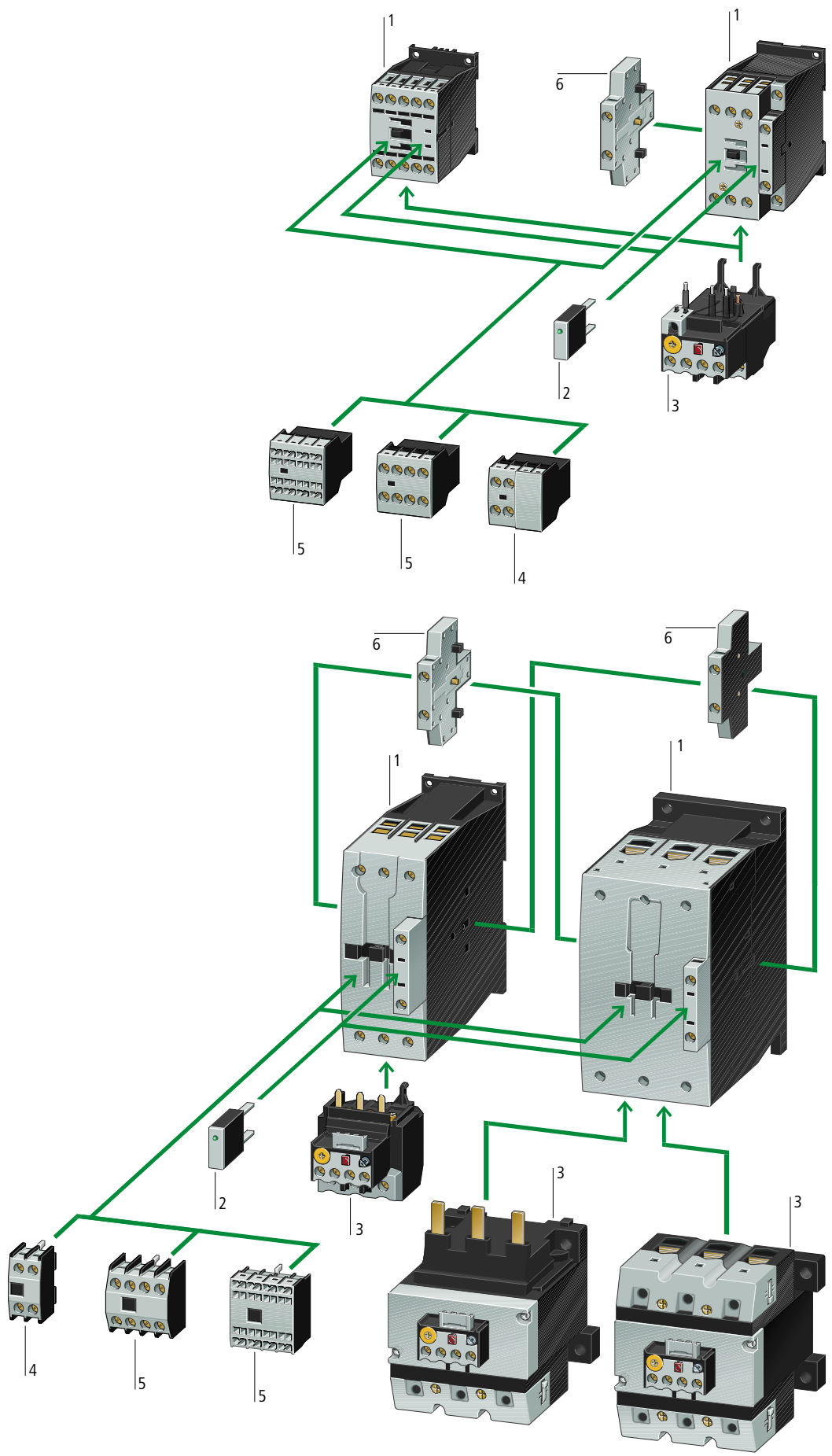
5	7.5	10	12.5	15.5	20	25	30	37	48
7.5	11	15	18.5	22	30	37	45	55	75
10.5	15.5	20	25	32	41	51	60	75	95
12	17.5	23	28	36	47	58	70	85	110
11	14	17	23	30	35	63	75	90	96
–	–	–	–	–	–	2)	2)	2)	2)

2.5	3.5	4	5	6	7	12	16	17	20
4.5	6	7	9	10	12	20	26	28	33
5.5	7	8	10	12	14	25	32	35	41
6	8	9	11	13	16	29	36	40	47
6.5	8.5	10	12	14	17	26	35	43	48
–	–	–	–	–	–	2)	2)	2)	2)

15	17	17	22	30	37	42	49	61	72
26	29	29	39	53	65	72	85	105	125
30	34	34	45	58	71	80	94	116	138
34	38	38	51	66	81	90	107	132	156
45	51	51	68	91	111	125	148	182	216
–	–	–	–	–	–	1)	1)	1)	1)

A	A	A	A	A	A	A	A	A	A
40	45	45	60	80	98	110	130	160	190
–	–	–	–	–	–	1)	1)	1)	1)





Moeller NK1210+2100+2300-1153GB-INT

<p><b>Contactor up to 75 kW (AC-3/400 V)</b> 1</p> <p>Magnet systems:                  AC: 12 – 600 V, 50, 60, 50/60 Hz  <math>0.8 - 1.1 \times U_c</math></p> <p>DC: 12 – 250 V                  DILM7 – DILM15: <math>0.8 - 1.1 \times U_c</math>                  DILM17 – DILM150: <math>0.7 - 1.2 \times U_c</math>                  bei 24 V: <math>0.7 - 1.3 \times U_c</math>                  without additional auxiliary contacts and ambient temperature +40 °C</p> <p>Coils for special voltages                  "Safe isolation" to IEC 536 between coil and contacts</p> <p>→ 2/7</p>	<p><b>Overload relays</b> 3</p> <p>Can be mounted directly                  Separate mounting, possible                  Protection of EEx e motors                  EU prototype test certificate number</p> <p>→ 3/3</p> <p><b>Auxiliary contact modules</b> 4</p> <p>2 pole, plug-in type</p> <p>→ 2/12</p>	<p><b>Auxiliary contact modules</b> 5</p> <p>4 pole, plug-in type                  Overlapping contacts</p> <p>→ 2/12</p> <p><b>Auxiliary contact modules</b> 6</p> <p>2 pole, side mounting</p> <p>→ 2/13</p>
<p><b>Suppressors</b> 2</p> <p>RC suppressor                  Varistor suppressor                  Free-wheel diode suppressor</p> <p>→ 2/22</p>		



Moeller NK1210+2100+2300-1153GB-INT

AC	DILM7-10 (...)	DILM7-01 (...)	DILM9-10 (...)	DILM9-01 (...)	DILM12-10 (...)	DILM12-01 (...)	DILM15-10 (...)	DILM15-01 (...)	DILMP20 (...)
	Article no. <sup>1)</sup>	Article no. <sup>1)</sup>	Article no. <sup>1)</sup>	Article no. <sup>1)</sup>	Article no. <sup>1)</sup>	Article no. <sup>1)</sup>	Article no. <sup>1)</sup>	Article no. <sup>1)</sup>	Article no. <sup>1)</sup>
<b>Standard coils</b>	See price list	See price list	See price list	See price list	See price list	See price list	See price list	See price list	See price list
12 V 50 Hz	276536	276571	276676	276711	276816	276851	290044	290079	276956
24 V 50 Hz	276537	276572	276677	276712	276817	276852	290045	290080	276957
48 V 50Hz	276538	276573	276678	276713	276818	276853	290046	290081	276958
240V 50Hz	276539	276574	276679	276714	276819	276854	290047	290082	276959
500 V 50Hz	276540	276575	276680	276715	276820	276855	290048	290083	276960
24 V 60 Hz	276541	276576	276681	276716	276821	276856	290049	290084	276961
110 V 60 Hz	276542	276577	276682	276717	276822	276857	290050	290085	276962
115 V 60 Hz	276543	276578	276683	276718	276823	276858	290051	290086	276963
208 V 60 Hz	276544	276579	276684	276719	276824	276859	290052	290087	276964
600 V 60 Hz	276545	276580	276685	276720	276825	276860	290053	290088	276965
42V 50Hz 48V 60Hz	276546	276581	276686	276721	276826	276861	290054	290089	276966
110V 50Hz 120V 60Hz	276547	276582	276687	276722	276827	276862	290055	290090	276967
190V 50Hz 220V 60Hz	276548	276583	276688	276723	276828	276863	290056	290091	276968
220V 50Hz 240V 60Hz	276549	276584	276689	276724	276829	276864	290057	290092	276969
230V 50Hz 240V 60Hz	276550	276585	276690	276725	276830	276865	290058	290093	276970
380V 50Hz 440V 60Hz	276551	276586	276691	276726	276831	276866	290059	290094	276971
400V 50Hz 440V 60Hz	276552	276587	276692	276727	276832	276867	290060	290095	276972
415V 50Hz 480V 60Hz	276553	276588	276693	276728	276833	276868	290061	290096	276973
24V 50Hz/60Hz	276554	276589	276694	276729	276834	276869	290062	290097	276974
42V 50Hz/60Hz	276555	276590	276695	276730	276835	276870	290063	290098	276975
110V 50Hz/60Hz	276556	276591	276696	276731	276836	276871	290064	290099	276976
220V 50Hz/60Hz	276557	276592	276697	276732	276837	276872	290065	290100	276977
230V 50Hz/60Hz	276558	276593	276698	276733	276838	276873	290066	290101	276978
380V 50Hz/60Hz	276559	276594	276699	276734	276839	276874	290067	290102	276979
Non-standard voltages with the exception of the previously stated standard voltages <sup>2)</sup>	See price list	See price list	See price list	See price list	See price list	See price list	See price list	See price list	See price list
...V 50Hz (12 – 600V)	276562	276597	276702	276737	276842	276877	290070	290105	276982
...V 60Hz (12 – 600V)	276563	276598	276703	276738	276843	276878	290071	290106	276983
DC	DILM7-10 (...)	DILM7-01 (...)	DILM9-10 (...)	DILM9-01 (...)	DILM12-10 (...)	DILM12-01 (...)	DILM15-10 (...)	DILM15-01 (...)	DILMP20 (...)
	Article no. <sup>1)</sup>	Article no. <sup>1)</sup>	Article no. <sup>1)</sup>	Article no. <sup>1)</sup>	Article no. <sup>1)</sup>	Article no. <sup>1)</sup>	Article no. <sup>1)</sup>	Article no. <sup>1)</sup>	Article no. <sup>1)</sup>
<b>Standard coils</b>	See price list	See price list	See price list	See price list	See price list	See price list	See price list	See price list	See price list
12 V DC	276564	276599	276704	276739	276844	276879	290072	290107	276984
24 V DC	276565	276600	276705	276740	276845	276880	290073	290108	276985
48 V DC	276566	276601	276706	276741	276846	276881	290074	290109	276986
60V DC	276567	276602	276707	276742	276847	276882	290075	290110	276987
110 V DC	276568	276603	276708	276743	276848	276883	290076	290111	276988
220V DC	276569	276604	276709	276744	276849	276884	290077	290112	276989
Non-standard voltages with the exception of the previously stated standard voltages <sup>1)</sup>	See price list	See price list	See price list	See price list	See price list	See price list	See price list	See price list	See price list
...VDC (12-250V)	276570	276605	276710	276745	276850	276885	290078	290113	276990

**Notes**

- <sup>1)</sup> The article no. is formed from the combination of part no. and actuating voltage. Devices with dual-voltage coils must be ordered using one order number.
- <sup>2)</sup> With non-standard voltages the required actuating voltage from the defined range (...-...V) must be stated.

