

400, 800, 2300 & 2300D SERIES™ RACEWAYS

Two-Piece, Single- and Dual-Channel, Low Profile



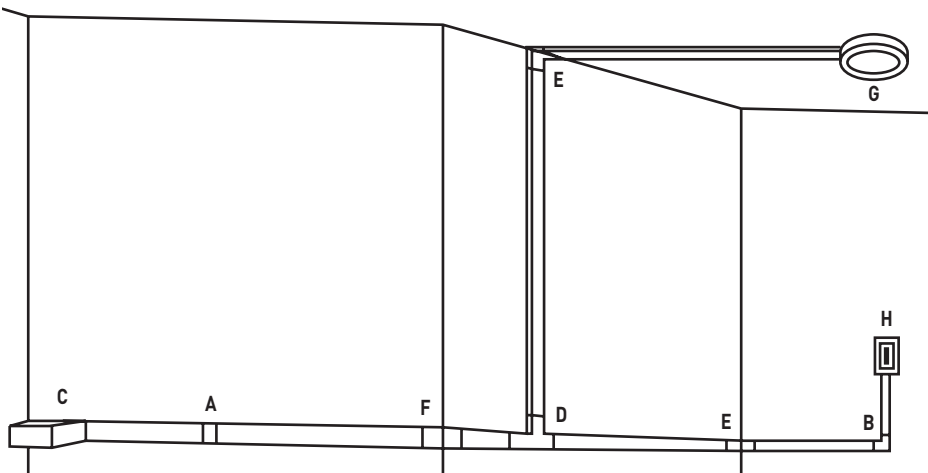
Two-piece, single- and dual-channel, low profile raceway. Easy-to-install and ideal for power or communication installations.

CODE REFERENCE

cULus Listed Raceway:
File E90378 Guide RJTX.
Complies with flammability requirements of UL-5A.

Fittings:
File E90377 Guide RJYT.
Meets Article 388 of NEC.
UL Listed for up to 600V.
Meets Section 12-1600 of CEC.

400, 800, 2300 & 2300D Series Raceways System Layout



NOTE: Illustration is for showing product applications only.

KEY

- | | |
|---|--|
| A. 406, 806, 2306 Cover Clip | E. 417, 817, 2317, 2317DFO Internal Elbow |
| B. 411, 811, 2311, 2311DFO Flat Elbow Fitting | F. 418, 818, 2318, 2318DFO External Elbow |
| C. 810A2, 2310A, 2310DFO Entrance End Fitting | G. 2337A, 2338A Round Device Boxes |
| D. 415, 815, 2315 Tee | H. 2344, 2347, 2348 Sure-Snap Device Boxes |

COLOR OPTIONS



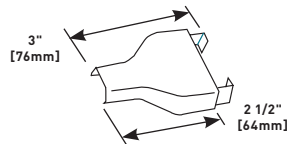
400, 800, 2300 Series Raceway Part Numbers with a "-WH" suffix have a white finish. Part Numbers without a suffix have an ivory finish. 400, 800, 2300 Series Raceways are paintable using latex paint.

Custom color options are also available. Consult the factory for more information.

400, 800, 2300 & 2300D SERIES™ RACEWAYS

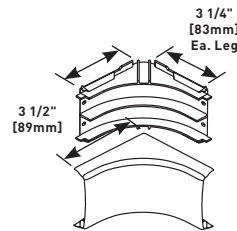
Ordering Information

2389A Reducing Connector



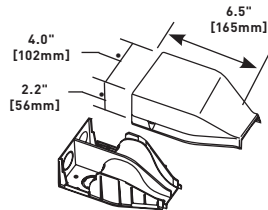
For transitioning from 2300 Series Raceway to 400 Series Raceway. Also available in white [2389A-WH].

2317DFO Radiused Divided Internal Elbow



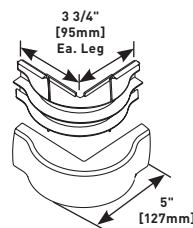
A 90° internal corner with integral dividers provide 2" [51mm] cable bend radius for UTP and fiber optic installations. Also available in white [2317DFO-WH].

2310DFO Radiused Divided Entrance End Fitting



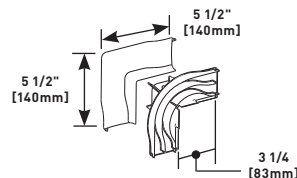
Divided fitting to feed 2300 and 2300 Divided Series Raceway. Includes 1/2", 3/4", and 1" trade size KOs on back and top. Also available in white [2310DFO-WH].

2318DFO Radiused Divided External Elbow



A 90° external corner with integral dividers provide 2" [51mm] cable bend radius for UTP and fiber optic installations. Also available in white [2318DFO-WH].

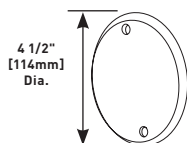
2311DFO Radiused Divided Flat Elbow



A 90° flat corner with integral dividers provide 2" [51mm] cable bend radius for UTP and fiber optic installations. Also available in white [2311DFO-WH].

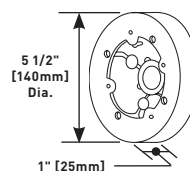
400/800/2300/2300D Series Raceway Device Box Ordering Information

2336 Blank Cover



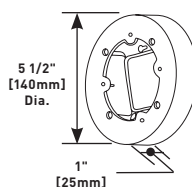
Use with any nonmetallic round device box to convert into a junction box. Also available in white [2336-WH].

2338A Fixture Box



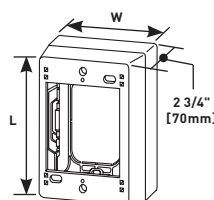
For hanging fixtures, smoke/fire alarms and other security devices with 3 1/2" [89mm] or 4 1/16" [103mm] mounting centers. Has 1/2" trade size KO. Not for use with fans. Also available in white [2338A-WH].

2337A Round Box Extension



For hanging fixtures, smoke/fire alarms and other security devices with 3 1/2" [89mm] or 4 1/16" [103mm] mounting centers. 5 1/2" [140mm] diameter with open base. Not for use with fans. Also available in white [2337A-WH].

2344, 2344-2 Extra Deep Device Box



2344 one-gang, 2344-2 two-gang. Two-gang base has rectangular KO to enable extension from existing single-gang flush wallbox and 1/2" and 1" trade size concentric KOs. Accepts industry standard faceplates for switch and communication devices.

CAT. NO.	L	W	GANG
2344	4 3/4" [121mm]	3" [76mm]	1
2344-WH	4 3/4" [121mm]	3" [76mm]	1
2344-2	4 3/4" [121mm]	4 7/8" [124mm]	2
2344-2-WH	4 3/4" [121mm]	4 7/8" [124mm]	2

WIREMOLD

 legrand®

400, 800, 2300, 2300D Series Raceway Systems

400, 800, 2300, 2300D Surface Nonmetallic Raceway Systems

For Low Voltage and Power Applications




The 400, 800, and 2300 Series, from The Wiremold Company, is a family of single compartment raceways for communication or power applications ideal for use in classrooms, office, and hotel applications or anywhere a small low profile raceway is needed. The 2300D Nonmetallic Divided Raceway is for use when power and low voltage cabling is required in the same raceway.



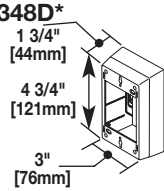
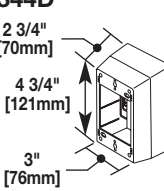
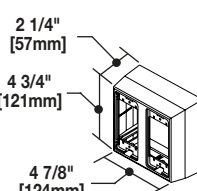
400, 800, 2300, and 2300D

Features & Benefits

- **Single and dual compartment low profile raceway design.** Provides functionality and flexibility with aesthetics for single or dual service applications.
- **Over-the-raceway box for 2300 and 2300D.** Boxes mount over continuous run of raceway base eliminating the need to cut raceway when locating devices.
- **Quick Fit™ integral faceplate.** Provides flush look and ease of installation. Eliminates the need for additional commercial faceplates.
- **Durable, textured PVC ivory or white finish.** Blends with walls and ceilings. Consult factory for special colors.
- **Datacom connectivity options.** Accepts industry standard and proprietary devices from a wide range of manufacturers to provide a seamless and aesthetically pleasing interface for voice, data, audio, and video applications at the point of use.
- **Accommodates communication and/or power wiring.** Can be used for communications, computer lines, surveillance systems, fire alarms, outlets, and more.
- **Lightweight and easy to handle.** Saves time and labor costs. Standard 5' [1.525m] lengths can be easily installed by one person. Special lengths up to 10' [3.050m] are available.
- **FiberReady™ divided fittings.** For use with 2300 and 2300D. Full capacity, aesthetically pleasing fittings provide 2" [51mm] bend radius.
- **Snap-on cover.** Provides security with access to wiring for changes or additions.
- **Easy to cut.** Use a hacksaw or shears to cut raceway which speeds installation.
- **Choice of raceway sizes with full line of fittings and accessories.** Facilitates easy installation of wiring for whatever the job requires: communication devices, receptacles, switches, temperature controls, etc.
- **Ratings:** UL 600V (UL5A), CSA 300V (CSA 22.2 No. 62-93).
- 

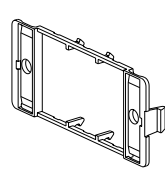
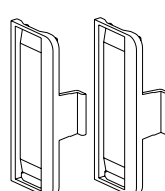
The 2300 and 2300D Divided Raceway Box family provides two unique benefits; labor savings with “over-the-raceway” installation and Quick Fit integral faceplate technology. The 2348D and 2344D-2 “over-the-raceway” design eliminates cutting the raceway base to mount boxes. The base snaps on anywhere along the raceway. The Quick Fit integral faceplate of the 2344SD-2A Box Cover combines superior aesthetics with installation time savings. Pass & Seymour Activate inserts, Wiremold Open System Communication Modules, and Ortronics Series II Devices snap directly into the Quick Fit faceplate, eliminating additional faceplates, and the box accepts 5507 Series device plates. The single-gang boxes accept Pass & Seymour Activate, Ortronics, and other commercially available NEMA standard faceplates.

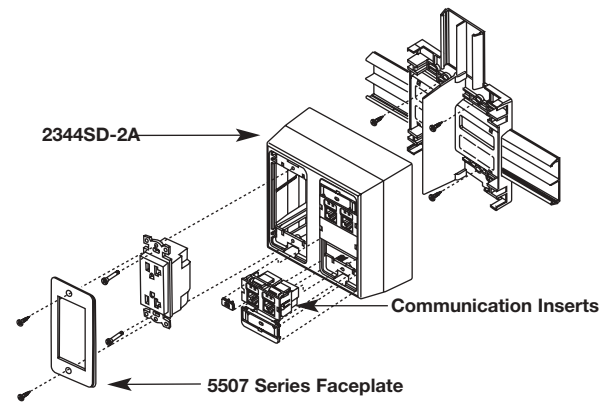
Sure-Snap Boxes for 2300BACD Divided Raceway

Catalog No./Item	Description/Specifications	ORT	P&S	OPEN
2348D* 	Device Box – For mounting standard switches, receptacles, faceplates and devices. <ul style="list-style-type: none"> Accepts NEMA Faceplates 	ORT	P&S	OPEN
2344D* 	Extra Deep Device Box – Use when additional depth is required. For mounting standard switches, receptacles, faceplates, and devices. <ul style="list-style-type: none"> Accepts NEMA Faceplates 	ORT	P&S	OPEN
2344SD-2A* 	Two-Gang Deep Divided Box – For use with 2300 and 2300D Raceway. Provides power and data at a single point of use. For use with: <ul style="list-style-type: none"> 5507 Series Faceplates Ortronics® TracJack & Series II Modules Pass & Seymour Activate™ Series Inserts Wiremold Open System Communication Modules 	ORT	P&S	OPEN

Note: Not for use with NEMA Faceplates.

2344SD-2 Over-the-Raceway Box Application

Catalog No./Item	Description/Specifications
CM-EPLA* 	End Plates – Includes two outlet identification labels with clear covers and two matching screw covers. Required for mounting Pass & Seymour Activate™ and Wiremold Open System communication modules into the 2344SD-2A.
S2-EPL* 	End Plates – Includes two outlet identification labels with clear covers and two matching screw covers. Required for mounting Ortronics® Series II modules into the 2344SD-2A.

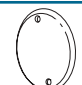




2344SD-2A →

← 5507 Series Faceplate

← Communication Inserts

400/800/2300 Round Fixture Boxes for Non-Divided Raceway

Item	Description	Cat. No.	Diameter	Depth	Specifications
	Blank Cover	2336	4 1/2" [114mm]	—	Use with any round fixture box to convert into junction box.
	Extension Box	2337A	5 1/2" [140mm]	1" [25mm]	Same as the 2338A except has an open base to allow back feed from an existing in-wall box.
	Fixture Box	2338A	5 1/2" [140mm]	1" [25mm]	For hanging smoke/fire alarms and other security devices with 3 1/2" [89mm] or 4 1/16" [103mm] mounting centers. Not for use with ceiling fans.

* Add “WH” suffix for White finish.