

## 900-1200 BTH/H Outdoor Airconditioner *DTS Series*

Type 3R, 4, 4X, Side Mounting



### Description

- Compact design for side mounting on any enclosure surface where spot cooling or low capacity cooling is required.
- Closed loop cooling ensures clean enclosure air is recirculated without ever mixing with contaminated ambient air.
- Ideal for outdoor or very wet conditions.

### Standards

- UL, cUL, and CE
- Complies with
  - NEMA 3R, 4, 4X

### Features

- R134a refrigerant.
- Thermostat control accessible from inside enclosure.
- Expansion valve prevents evaporator freeze up while minimizing heavy inrush currents on large BTU/H units.
- Built in condensate evaporator.
- Continuous air circulation from high capacity fans.
- EMI/RFI suppression meets CE.
- Provision for door contact allowing power down when enclosure door is opened.
- Gasket, mounting kit and template for enclosure cutout and drilling are included.
- Washable aluminum mesh filter.

### Accessories

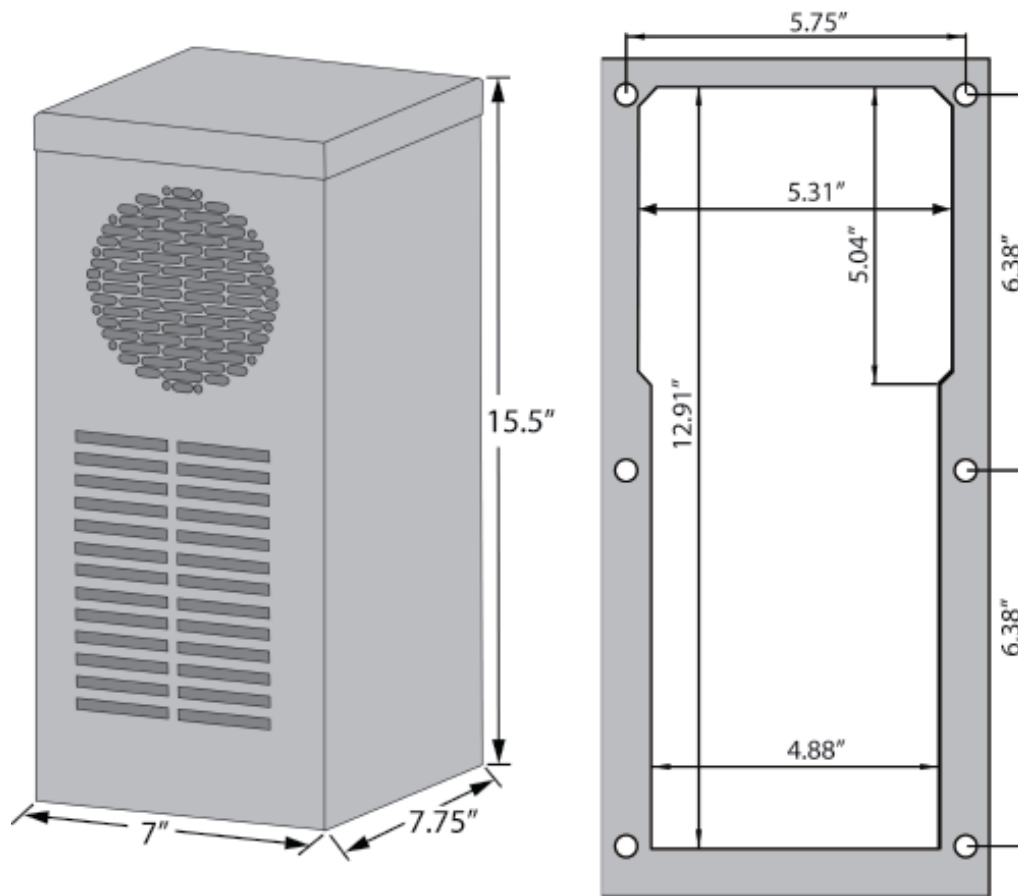
**Gasket Kits**

**Filter Kits**

**Condensate Bottle**

**Remote Door Switches**

**Water Condensate Evaporator**



Part No.	Ship Wt. lbs
DTS3031A115N4SS	30
DTS3031A230N4SS	30

Electrical Data	DTS3031A115N4SS	DTS3031A230N4SS
Rated Voltage	115 V 60 Hz	230 V 50/60 Hz
Range of Operation	103- 127 V	207-253 V
Power Consumption	325 W	315 W
Running Amps	3	2
Starting Current	10	5
Line Cord	With Plug	With Plug

Refrigeration Data	
Rated Capacity	900-1300 BTU
Type of Refrigerant	R134a
Refrigeration Charge	150 g
Ajustable Thermostat	Factory setting +95F (+35C)
Control Range (adjustable)	+77F..113F / +25C..+55C
Max Ambient Air Temp	+114F (+45C)
Min Ambient Air Temp	-40F (-40C)
Air Capacity (unrestricted)	Internal 38 CFM External 30 CFM
Condensation Discharge	Condensate Drain
Filter Mat	Aluminum Mesh
Db noise level	<64 db
Unit Weight	30 lbs (13.6kg)
Exterior Case	304 Stainless Steel
Finish	Number 4 Brush finish
Nema Rating	enclosures IP56 / NEMA 4,4X

Data subject to change without notice