

Power Xpert Meter 2000 Series



Power Xpert Meter 2000 Series

Product Description

The Power Xpert Meter 2000 Series power quality instrument monitors the most critical aspects of an electrical distribution system. This premier power quality metering instrument uses the latest in advanced technology to make it simple to use, powerful, scalable and highly flexible. The Power Xpert Meter 2000 offers the same level of intuitive user interface design as the Power Xpert Meter 4000/6000/8000, presenting critical electrical distribution system information in a simple to navigate and easy-to-understand information architecture.

The embedded Web server displays comprehensive power quality data using standard Internet browsers and allows for device configuration from the browser. The embedded Web server presents real time, historical and event information in a browser-style graphical format to help the user interpret information such as current loading, voltage and power levels, power factor, energy usage, I/O status, power quality measurements, as well as harmonic plots. The embedded Web server also allows for waveform capture and for visualizing steady-state harmonic content that is critical for power quality analysis.

The Web server provides the energy and demand readings required to help manage the cost of energy.

Contents

| <i>Description</i> | <i>Page</i> |
|---|------------------|
| Metering Products Family | V3-T9-6 |
| Power Xpert Meter 4000/6000/8000 Series | V3-T9-15 |
| Power Xpert Meter 2000 Series | |
| IQ 250/260 Series Electronic Power Meters | V3-T9-45 |
| IQ 130/140/150 Series Electronic Power Meters | V3-T9-51 |
| IQ 150S/250S Self-Enclosed Electronic Meters | V3-T9-56 |
| IQ 35M | V3-T9-61 |
| IQ Analyzer 6400/6600 Series | V3-T9-64 |
| IQ DP-4000 Series | V3-T9-72 |
| IQ 230 Meters | V3-T9-78 |
| Power Xpert Multi-Point Meter | V3-T9-85 |
| IQ Energy Sentinel™ | V3-T9-97 |
| PM3 Monitoring and Metering Module | V3-T9-106 |
| Current Transformers (CTs) | V3-T9-107 |
| Clamp-On Current Transformers | V3-T9-116 |
| IQ Flange | V3-T9-119 |
| Panel Mounting Adapter Kit | V3-T9-120 |
| Enclosed Meters | V3-T9-121 |



Application Description

Identify Power Quality Problems to Help:

- Protect motors from damage
- Preserve the integrity of processes and batches
- Prevent blown capacitor bank fuses
- Protect transformers and conductors from overheating

Monitor Circuit Loading to Help:

- Avoid overloads and nuisance overload trips
- Maximize equipment utilization
- Manage emergency overloads

Manage Energy Utilization to Help:

- Reduce peak demand charges and power factor penalties
- Identify excessive energy consumption

Features, Benefits and Functions

Metered/Monitored Parameters

Note: See Table on Page V3-T9-38.

- Volts: L-L, L-N, Avg. L-L, Avg. L-N
- Phase and neutral currents
- Power: real, reactive and apparent
- Frequency
- Power factor: apparent
- Energy: real, forward, reverse, sum
- Demand: peak with date and time
- % THD
- Minimum and maximum values
- Harmonics
- Individual harmonics
- Demand comparisons
- Phasors

Accuracy

Note: Under typical operating conditions.

- Currents: 0.1% RV
- Voltage: 0.1% RV
- Energy and demand power: 0.2% in accordance with ANSI C12.20
- Frequency: ± 0.03 Hz
- Power factor: 0.2% RV

Communications

Multiple communications ports including:

Standard

- RS-485 Modbus RTU slave port
- 10/100Base-T Ethernet network port

Communication Protocols Supported

- Modbus RTU
- Modbus TCP
- BACnet/IP
- Ethernet TCP/IP
- HTTP, HTTPS
- NTP (Network Time Protocol)
- SMTP (Simple Mail Transfer Protocol)
- SNMP (Simple Network Management Protocol) v1, v3
- DNP 3.0

Physical Characteristics Format

- Power Xpert Meter 2000 with integral display
- Power Xpert Meter 2000 transducer only (no display) meter module
- NEMA rating: NEMA 12, IP42 front of panel rating

Power Xpert 2000 Embedded Web Server

The Power Xpert Meter 2000 embedded Web server offers Eaton customers a new level of accessibility to the critical information required to manage their electrical distribution system. The Web server includes real-time information in both numeric and graphical visual formats to help monitor parameters such as current loading, voltage and power levels, power factor, THD and more. The Web server also provides energy and demand readings with graphic usage plots to help analyze energy usage patterns. Energy readings include kWh, kVARh, delivered and received and kVAh with time.

The Power Xpert Meter 2000 embedded Web server supports graphical trend charts of key measurements such as current, voltage, power and energy. The trend chart supports a zoom feature that allows the user to view data over predefined ranges from as little as 16 hours to as much as 4 years. The trend chart includes zoom in/out buttons and a horizontal slider bar control to manage scrolling forward and backward through the data. Trend charts of basic readings include minimum, maximum and average readings. Trend charts of interval by interval energy data also display peak demand.

Waveform Display

The Power Xpert Meter 2000 can record waveforms at up to 512 samples per cycle. Waveform captures are automatically stored on the FTP server in the IEEE standard COMTRADE file format. This allows users to view and analyze the

waveforms in any standard free-of-charge or commercial COMTRADE file viewer.

Historical Trend Logging

The Power Xpert Meter 2000 records historical data for graphical viewing from the embedded Web server. Graphical views of historical data support pan and zoom. Over 100 standard metering parameters are logged as part of the standard meter functionality including min./max. and average for each parameter. The averages are calculated over the interval period.

Energy Profile Data

The Power Xpert Meter 2000 records Real and Reactive energy forward, reverse, net and absolute sum, as well as apparent energy (kVAh). These readings are stored on a fixed 5 minute interval. Up to 4 status inputs can be configured as energy accumulators for counting KYZ pulse inputs.

Demand Comparisons

Demand usage patterns can be analyzed with the month-to-month, week-to-week comparison chart built into the meter. Raw data can be exported as a.csv file with the "Save Table" option to other applications for further analysis and graphing.

Event Triggers

The Power Xpert Meter 2000 has two levels of configurable event triggers:

- On-board meter limits (PXM 2260/2270/2280/2290)
- On-board gateway card limits

The on-board meter limits can be set for any measured parameter, for up to 16 limits. If either of the 16 limits are exceeded, an alarm condition will be present and illuminate one of the LEDs on the meter faceplate. The on-board meter out of limits can also be used to energize a relay output, if so equipped.

The on-board gateway limits can trigger an alarm off of any measured parameter on any of the PXM 2000 model series. These triggers permit pickup, reset and pickup delay to be configured by the user.

Event Logging

The Power Xpert Meter 2000 embedded Web server allows the user to view a list of triggered events. In addition, a separate system log records system operations such as resets.

E-mail

The Power Xpert Meter 2000 contains the ability to send e-mails based on an event that has been triggered or cleared along with the option to send an event or data log file. The Power Xpert Meter 2000 also has the ability to send a configurable periodic e-mail with meter information.

Inputs and Outputs

Power Xpert Meter 2000 is available with a standard KYZ output and optional digital I/O cards that includes:

- Two relay outputs/two status inputs
- Four KYZ pulses/four status inputs
- Four analog outputs 0–1 mA
- Four analog outputs 4–20 mA

Inputs can also be configured for demand synch and pulse counting. Inputs selected for pulse counting can be scaled. Accumulated pulse recordings are maintained in profile memory. Outputs can be used for alarm annunciation.

Ratings

- Application to any PT ratio, no PTs required to 600 Vac
- CT ratios to any CT ratio
- CT inputs available as 5 or 1A secondary
- Separate source control power input:
 - 90–265 Vac or 100–370 Vdc
 - Low voltage 18–60 Vdc

Displayed Information

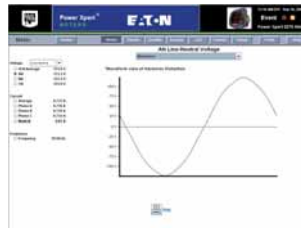
- Monitored information is available locally through the display, the Web browser or system power management software
- True rms values through 40th harmonic
- ANSI C12.20 Class.2% revenue metering specification

Power Xpert 2000 Web Browser Views



Power Xpert Meter 2000 Web Browser

Power Xpert Meter 2000's embedded Web server offers Eaton customers a new level of accessibility to the critical information required to manage the electrical distribution system. The embedded Web server includes real time circuit information in both numeric and graphical formats to help monitor parameters such as current loading, voltage and power levels and power factor. The Web server also provides the energy and demand readings required to help manage the cost of energy. Readings include kWh, kVARh, delivered and received and kVAh. The Web server also includes critical information regarding power quality such as harmonic distortion.



Real-Time Visualization of Harmonic Content

The Web server offers a waveform view to visualize steady-state harmonic content of the voltage and current to spot power quality problems.



Harmonic Spectral Plot

The harmonic spectral plot displays harmonics up to the 40th order. A detailed table also includes individual magnitudes and angles of current and voltage harmonics, at each frequency. Individual and total THD are displayed for diagnostic purposes.



Historical Trend Plot

Graphical Trending of Data

The Power Xpert Meter 2000 embedded Web server supports graphical trend charts of key circuit measurements such as current, voltage, power and energy. The trend chart supports a zoom feature that allows the user to view data over a short period of 16 hours or a longer period of 48 months. The trend chart has a horizontal slider bar control to manage scrolling forward and backward through the data. Trend charts of basic readings include minimum, maximum and average readings. Trend charts of energy data also display demand values.



Energy Demand Profile

Energy managers can view load profile data compared against the peak demand. The plot allows comparison of present and past months' usage.

Web Server Device Configuration

Special software is not required to configure a Power Xpert Meter 2000. The embedded Web server includes a comprehensive device configuration engine.

Discrete Contact Inputs

The optional I/O expansion cards offers two or four digital inputs that are useful for a variety of applications such as:

- Pulse counting of KYZ or other utility pulses such as air, water or gas
- Demand interval timing taken from a master utility meter end of interval pulse

Names can be configured for each input for ease of use.

Relay Outputs

The optional I/O card includes two 5A Form C relay outputs rated for 240 Vac or 30 Vdc or four Form A solid-state outputs. These outputs can be used for applications such as:

- Alarm annunciation
- KYZ pulse output

Alarm outputs can be driven from triggers based on metering values.

Analog Outputs

The optional IO card includes either four 4–20 mA outputs or 0–1 mA outputs. These outputs can be used for applications such as:

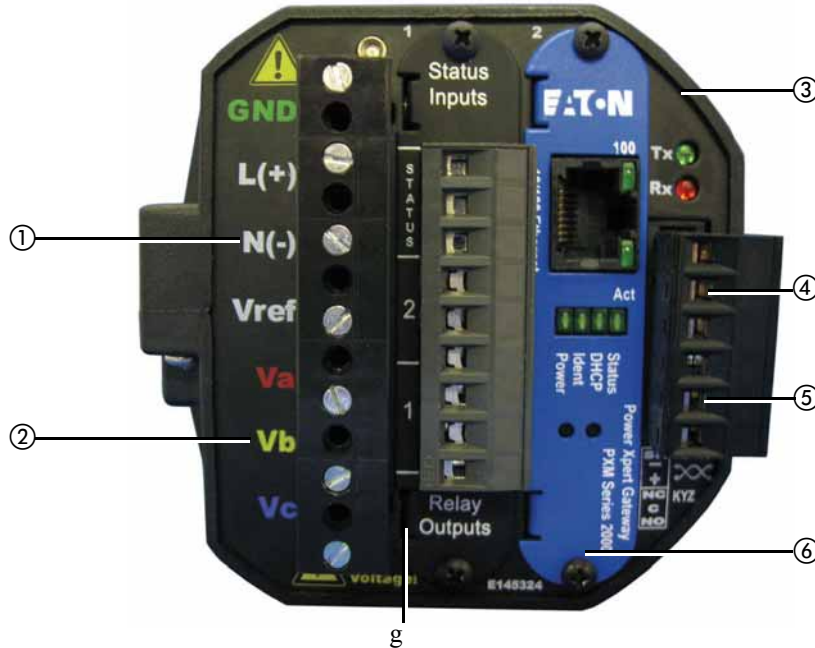
- Input to BMS or PLC systems for tracking a measured meter parameter

Standard Communications Card

The standard communications card provides one Ethernet connection and 10/100Base-T port (copper only) that can be used for the following applications:

- Monitoring, managing and configuring the meter remotely using a standard Web browser interface
- Alarm notifications via email, SMTP
- Providing Modbus TCP/IP, RTU and BACnet/IP communications to BMS systems
- Providing SNMP communications to NMS systems
- Synchronizing with an NTP server
- Asset management
- Updating firmware on the meter

PXM 2000 Rear View



- ① Power supply inputs
- ② System voltage inputs
- ③ NEMA 12 gasket
- ④ RS-485
- ⑤ KYZ out
- ⑥ Meter gateway card
- ⑦ I/O slot

Power Xpert Meter 2250

- Measures basic meter parameters
- 256 MB for data logging
- Ethernet
- On-board gateway card limits/alarms

Power Xpert Meter 2260

Features of PXM 2250 plus:

- Harmonics
- On-board meter hardware limits to activate optional relay outputs
- Visual indication of limits exceeded at meter face
- 512 MB for data logging

Power Xpert Meter 2270

Features of PXM 2260 plus:

- Harmonics, including individual
- Waveform view to visualize steady-state harmonic content
- 768 MB for data logging

The Power Xpert Meter 2280

Features of PXM 2270 plus:

- Records waveforms at up to 64 samples per cycles
- Configures the total, pre- and post-event cycles

Power Xpert Meter 2290

Features of PXM 2280 plus:

- Records waveforms at up to 512 samples per cycles

Power Xpert Meters 2250/2260/2270/2280/2290

| Feature | Power Xpert Meter | | | | | Benefit |
|--|-------------------|------|------|------|------|---|
| | 2250 | 2260 | 2270 | 2280 | 2290 | |
| General | | | | | | |
| Embedded Web server | ■ | ■ | ■ | ■ | ■ | Use a standard Web browser to monitor and manage the meter over the network |
| Firmware flash upgrade support | ■ | ■ | ■ | ■ | ■ | Enables you to flash the meter with the latest firmware upgrades |
| Power, Energy and Demand | | | | | | |
| Voltage, current: per phase minimum, maximum, average, trend graph analysis, export, print | ■ | ■ | ■ | ■ | ■ | Review voltage and current trends, export, print and analyze parameters right on the meter or external software |
| Demand: forward, reverse, net sum, profile, export, print, plot comparisons month-to-month, week-to-week | ■ | ■ | ■ | ■ | ■ | Plot two months or two weeks for vivid demand comparison, receive e-mails with trend logs |
| Power, apparent, real, reactive, power factor | ■ | ■ | ■ | ■ | ■ | Review power usage and power factor and avoid potential PF penalties |
| Energy: forward, reverse, net, sum | ■ | ■ | ■ | ■ | ■ | Keep track of your energy usage, identify peaks to conserve energy usage, receive e-mails with trend logs |
| Power Quality Analysis | | | | | | |
| Statistical analysis (min., max., average) | ■ | ■ | ■ | ■ | ■ | Review statistical trends, identify past and future problem areas |
| Sampling rate, maximum samples/cycle | 400 | 400 | 400 | 400 | 400 | High sampling rate resulting in high accuracy |
| Security | | | | | | |
| Secure two level user access privileges | ■ | ■ | ■ | ■ | ■ | Define appropriate security access level per user |
| Communications | | | | | | |
| Modbus TCP | ■ | ■ | ■ | ■ | ■ | Easy integration with standard protocol to power management and other software |
| Modbus RTU | ■ | ■ | ■ | ■ | ■ | Integrate meters to existing Modbus networks, daisy chain several (1–32) meters together |
| BACnet/IP | ■ | ■ | ■ | ■ | ■ | Easily integrate into existing building management systems without the need for external protocol adapters |
| HTTP, HTTPS | ■ | ■ | ■ | ■ | ■ | Communicate to the meter over the Internet via standard Web browser |
| SNMP (Simple Network Management Protocol) | ■ | ■ | ■ | ■ | ■ | Communicate with the meter via Simple Network Protocol; hook to existing NMS system |
| SMTP (Simple Mail Transfer Protocol) | ■ | ■ | ■ | ■ | ■ | Send e-mail messages via standard Simple Mail Transfer Protocol |
| NTP (Network Time Protocol) | ■ | ■ | ■ | ■ | ■ | Network Time Protocol support enables the meter to synchronize time over the network |
| DNP 3.0 | ■ | ■ | ■ | ■ | ■ | Easy integration with DNP networks (serial) |
| Trend measurements CSV file export | ■ | ■ | ■ | ■ | ■ | Easily export trend measurements to third-party applications, in standard CSV file format |

Note

These specifications are subject to change without notice and represent the maximum capabilities of the product with all options installed. This is not a complete feature list. Features and functionality may vary depending on selected options, firmware version and product model. Please refer to the technical data sheet and User Manual for detailed specifications.

Power Xpert Meters 2250/2260/2270, continued

| Feature | Power Xpert Meter | | | | | Benefit |
|--|-------------------|------|------|------|------|---|
| | 2250 | 2260 | 2270 | 2280 | 2290 | |
| Logs | | | | | | |
| Trend logging | ■ | ■ | ■ | ■ | ■ | Log trend information for easy statistical analysis |
| Load profile | ■ | ■ | ■ | ■ | ■ | Review the load profile graph to get a better understanding of your electrical load versus time |
| Event logging | ■ | ■ | ■ | ■ | ■ | Log events for retrospective event analysis |
| Memory and Storage | | | | | | |
| Memory, MB | 256 | 512 | 768 | 768 | 768 | Store trend data and events for historical analysis |
| Harmonics | | | | | | |
| Harmonic levels | | 40th | 40th | 40th | 40th | Allows you to identify potential harmful harmonics |
| Total harmonic distortion (THD) | ■ | ■ | ■ | ■ | ■ | Review the total harmonic distortion level directly on the meter |
| Individual harmonics | | | ■ | ■ | ■ | Provides simple metric for power quality viewable from the embedded Web server |
| Waveform | | | | | | |
| Waveform display | | | ■ | ■ | ■ | A single-cycle waveform view on a PC, through embedded Web server, to visualize steady-state harmonic content to identify power quality issues |
| Waveform recording | | | | 64 | 512 | Ability to record waveforms up to specified samples/cycle |
| I/O | | | | | | |
| I/O (two relay outputs/two status inputs, four KYZ pulses/four status inputs, four analog outputs 0–1 mA, four analog outputs 4–20 mA) | Opt | Opt | Opt | Opt | Opt | The Power Xpert meter 2000 I/O Cards are extremely flexible and can be used in a large variety of different applications. Digital inputs and relay outputs can be programmed to interact during various conditions defined by the user. Various third-party devices, such as alarms, pulse meters, trip units and sensors, can be easily integrated to the Power Xpert Meter 2000. Triggers and events can be tied to the meter's standard functions such as e-mail, logs and trends. Analog outputs can be programmed to output meter parameters to BMS or PLC systems |

Note

These specifications are subject to change without notice and represent the maximum capabilities of the product with all options installed. This is not a complete feature list. Features and functionality may vary depending on selected options, firmware version and product model. Please refer to the technical data sheet and User Manual for detailed specifications.

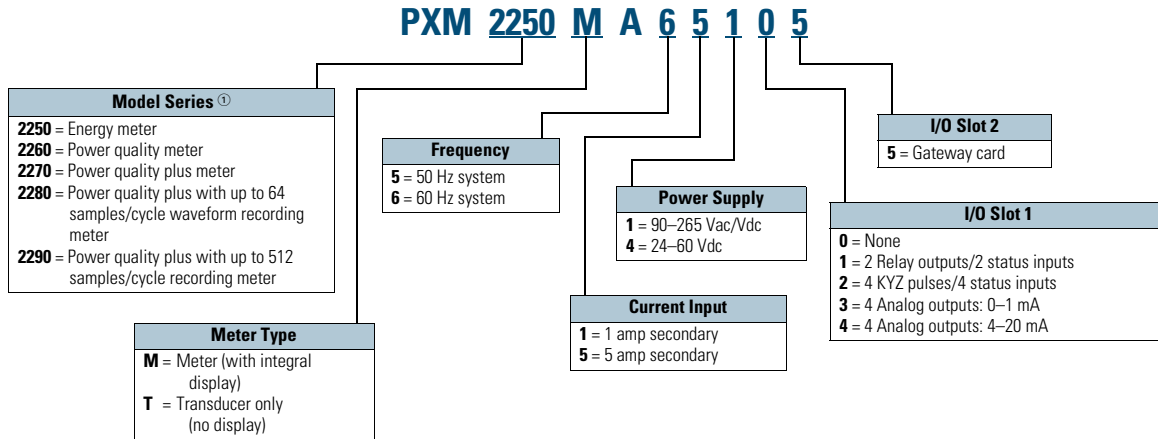
Standards and Certifications

- UL/cUL Electrical and Electronic Measuring and Test Equipment 22CZ
- Accuracy: IEC/EN60687 0.2 Class, ANSI C12.20 0.2 Class
- ANSI C62.41 Burst
- CE Mark



Catalog Number Selection

Power Xpert Meter 2000



Example 1: **PXM2270MA65145** (PXM 2270 Meter/Display 60 Hz, 5A, 90–265 Vac/Vdc W/4AO)
 Example 2: **PXM2250MA65105** (PXM 2250 Meter/Display 60 Hz, 5A, 90–265 Vac/Vdc)

Note

① Refer to **Page V3-T9-39** for model-specific features.

To order a Power Xpert Meter 2000, the catalog number should be determined using the chart shown above. The chart illustrates how to include the desired factory options as part of a catalog number. Option cards that are selected at time of order entry will be installed at the factory. Option cards are also field installable for future upgrades.

Power Xpert meter modules include panel mounting brackets.

Example 1:
 PXM2270MA65145 (PXM 2270 Meter/Display 60 Hz, 5A, 90–265 Vac/Vdc W/4AO).

Example 2:
 PXM2250MA65105 (PXM 2250 Meter/Display 60 Hz, 5A, 90–265 Vac/Vdc).

Accessories

Power Xpert Meter 2000

| Description | Catalog Number |
|--|--------------------|
| Panel mounting bracket assembly for retrofitting a PXM 2000 to an IQ analyzer/IQ DP4000/IQ data cutout | IQ250-PMAK |
| PXM 2000 Gateway card kit to upgrade an IQ 250/260 to a PXM 2000 | PXM2000-GCK |

Power Xpert Meter 2000 I/O Cards

| Description | Catalog Number |
|---|----------------------|
| PXM 2000 I/O card—2 relay outputs/2 status inputs | IQ250/260-I01 |
| PXM 2000 I/O card—4 KYZ Pulses/4 status inputs | IQ250/260-I02 |
| PXM 2000 I/O card—4 analog outputs—0–1 mA | IQ250/260-I03 |
| PXM 2000 I/O card—4 analog outputs—4–20 mA | IQ250/260-I04 |