



Ratings Quick Reference Guide

Circuit-Lock® Switched Enclosures

Amp	Description	Phase	Poles	HP				Catalog Number
				120	240	480	600	
30	TYPE 1 Non-Metallic	3	3	3	7.5	15	20	HBL1389MQR
	TYPE 1 Non-Metallic	3	3	3	7.5	15	20	HBL1389MQ5
	TYPE 1 Non-Metallic	3	3	3	7.5	15	20	HBL1389MQR2
	NEMA 1 Aluminum	1	2	2	5	10	15	HBL1372D
	NEMA 1 Aluminum	3	3	3	7.5	15	20	HBL1379D
	NEMA 1 Non-Metallic	1	2	2	5	10	15	HBL1392D
	NEMA 1 Non-Metallic	3	3	3	7.5	15	20	HBL1389D
	NEMA 3/3R Non-Metallic	1	2	2	5	10	15	HBL13R22D
	NEMA 3/3R Non-Metallic	3	3	3	7.5	15	20	HBL13R23D
	NEMA 3R Die Cast Aluminum	1	2	2	5	10	15	HBL13R12D
	NEMA 3R Die Cast Aluminum	3	3	3	7.5	15	20	HBL13R13D
	NEMA 3R Aluminum	1	2	2	5	10	15	HBL13R92D
	NEMA 3R Aluminum	3	3	3	7.5	15	20	HBL13R89D
	IP69k TYPE 4X Labelless Non-Metallic	3	3	1	7.5	15	15	HBLDS3
	IP69k TYPE 4X Labelless Non-Metallic	3	3	1	7.5	15	15	HBLDS3AC
	IP69k TYPE 4X Labelless Non-Metallic	3	3	1	7.5	15	15	HBLDS3AC2
	IP69k TYPE 4X Labelless Non-Metallic	3	3	1	7.5	15	15	HBLDS3NK
	IP69k TYPE 4X Labelless Non-Metallic	3	3	1	7.5	15	15	HBLDS3ACNK
	IP69k TYPE 4X Labelless Non-Metallic	3	3	1	5	10	10	HBLDS33ACNK
	TYPE 4X Labelless Non-Metallic	3	3	1	7.5	15	15	HBLDS3MQR
TYPE 4X Labelless Non-Metallic	3	3	1	7.5	15	15	HBLDS3MQ5	
TYPE 4X Labelless Non-Metallic	3	3	1	7.5	15	15	HBLDS3MQR2	
IP69k TYPE 4X Stainless Steel	3	3	1	7.5	15	15	HBLDS3SS	
IP69k TYPE 4X Stainless Steel	3	3	1	7.5	15	15	HBLDS3SSAC	
IP69k TYPE 4X Stainless Steel	3	3	1	7.5	15	15	HBLDS3SSVFD	
TYPE 4X Stainless Steel	3	3	2	7.5	15	15	HBLDS3SSMQR	
TYPE 4X Stainless Steel	3	3	1	7.5	15	15	HBLDS3SSMQ5	
TYPE 4X Non-Metallic Fused Disconnect	3	3	1	7.5	15	20	FDS30	
NEMA 4X Stainless Steel	3	3	3	7.5	15	20	HBL13S33D	
NEMA 4X Non-Metallic	3	3	3	7.5	15	20	HBL13X33D	
60	NEMA 3R Aluminum	1	2	—	10	15	20	HBL16R92D
	NEMA 3R Aluminum	3	3	—	10	25	30	HBL16R93D
	IP69k TYPE 4X Non-Metallic	3	3	7.5	30	50	50	HBLDS6
	IP69k TYPE 4X Non-Metallic	3	3	7.5	30	50	50	HBLDS6AC
	IP69k TYPE 4X Stainless Steel	3	3	7.5	30	50	50	HBLDS6SS
	IP69k TYPE 4X Stainless Steel	3	3	7.5	30	50	50	HBLDS6SSAC
	TYPE 4X Non-Metallic Fused Disconnect	3	3	3	15	30	40	FDS60
	NEMA 4X Stainless Steel	3	3	—	10	25	30	HBL16S63D
NEMA 4X Non-Metallic	3	3	—	10	25	30	HBL16X63D	
100	IP69k TYPE 4X Non-Metallic	3	3	7.5	30	50	50	HBLDS10
	IP69k TYPE 4X Non-Metallic	3	3	7.5	30	50	50	HBLDS10AC
	IP69k TYPE 4X Stainless Steel	3	3	7.5	30	50	50	HBLDS10SS
	IP69k TYPE 4X Stainless Steel	3	3	7.5	30	50	50	HBLDS10SSAC



HBL1379D



HBL1389D



HBLDS3



HBL16R93D



HBL13S33D



FDS30



HBLDS3SS



HBLDS3SSR



HBLDS3MQR



HBLDS3MQ5

Circuit-Lock® Switches

Amp	Description	Phase	Poles	HP				Catalog Number
				120	240	480	600	
30	Toggle Switch	1	2	2	5	10	15	HBL7832D
	Short Toggle Switch	1	2	2	5	10	15	HBL7832DS
	Toggle Switch, Bulk Pack	1	2	2	5	10	15	HBL7832DX
	Toggle Switch	3	3	3	7.5	15	20	HBL7810D
	Short Toggle Switch	3	3	3	7.5	15	20	HBL7810DS
40	Toggle Switch	1	2	2	5	10	15	HBL7842D
	Toggle Switch	3	3	3	7.5	15	20	HBL7843D
50	Toggle Switch	1	2	2	5	10	15	HBL7852D
	Toggle Switch	3	3	3	7.5	15	25	HBL7853D
—	Finger guard (30–50A Switches)	—	—	—	—	—	—	HBLFG30
60	Toggle Switch	1	2	—	10	15	20	HBL7862D
	Toggle Switch	3	3	—	10	25	30	HBL7863D
	Toggle Switch – Front Wire	1	2	—	10	15	20	HBL7862FWD
	Toggle Switch – Front Wire	3	3	—	10	25	30	HBL7863FWD
85	Toggle Switch	1	2	—	10	15	20	HBL7882D
	Toggle Switch	3	3	—	10	25	40	HBL7883D



HBL7810D



HBL7853D



HBL7862D



HBL7863D



Circuit-Lock® NEMA 3/3R Enclosures with Switch

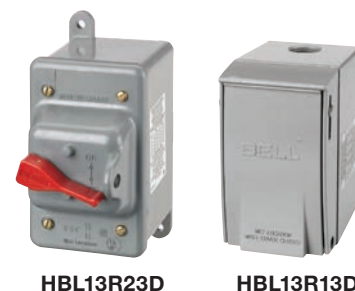
Ideal for use on outdoor equipment.

Amp	Poles	Enclosure Material	HP Rating				Catalog Number
			120V AC 1Ø	240V AC 3Ø	480V AC 3Ø	600V AC 3Ø	
30	2	Thermoplastic	2	5	10	15	HBL13R22D
30	3	Thermoplastic	3	7.5	15	20	HBL13R23D
30	2	Aluminum	2	5	10	15	HBL13R12D†
30	3	Aluminum	3	7.5	15	20	HBL13R13D†

Note: See page F-17 for technical information.

*Drill weephole to alter from NEMA 3 to NEMA 3R.

†Equipped with HBLFG30 sidewall insulation barriers.

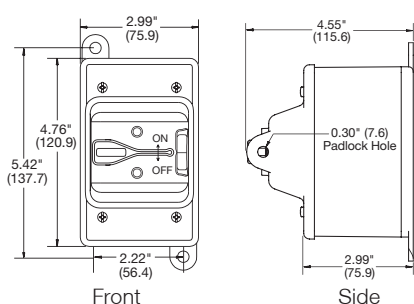


HBL13R23D

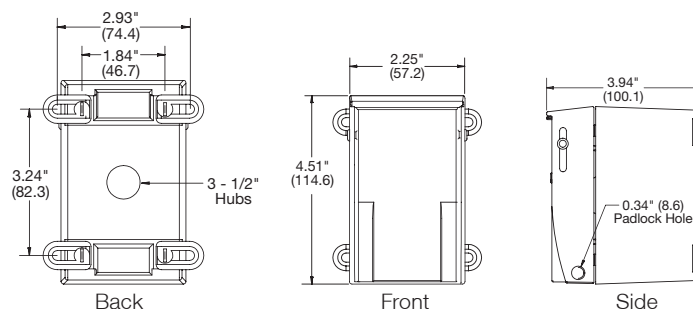
HBL13R13D

Dimensions

HBL13R22D and HBL13R23D



HBL13R12D and HBL13R13D



Circuit-Lock® NEMA 3R Enclosures with Switch

Ideal for use in outdoor environments.

Amp	Poles	Enclosure Material	HP Rating				Catalog Number
			120V AC 1Ø	240V AC 3Ø	480V AC 3Ø	600V AC 3Ø	
30	2	Aluminum	2	5	10	15	HBL13R92D
30	3	Aluminum	3	7.5	15	20	HBL13R89D
60	2	Aluminum	—	10	15	20	HBL16R92D
60	3	Aluminum	—	10	25	30	HBL16R93D

Note: For switch specifications refer to page F-17.



HBL13R89D

HBL16R93D

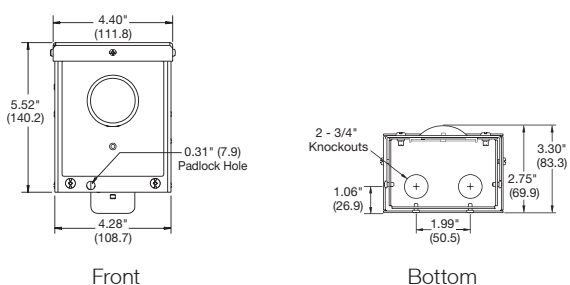
Circuit-Lock® NEMA 3R Enclosures without Switch

For use with switches shown on page F-17.

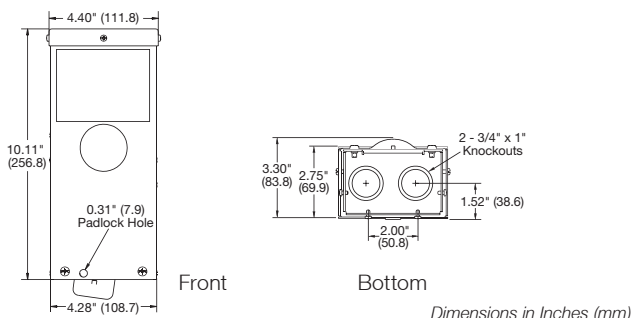
Description	Enclosure Material	Catalog Number
For use with 30A switch.	Aluminum	HBL13R90
For use with 60A switch.	Aluminum	HBL16R90

Dimensions

HBL13R90, HBL13R89D and HBL13R92D



HBL16R90, HBL16R92D and HBL16R93D



Dimensions in Inches (mm)

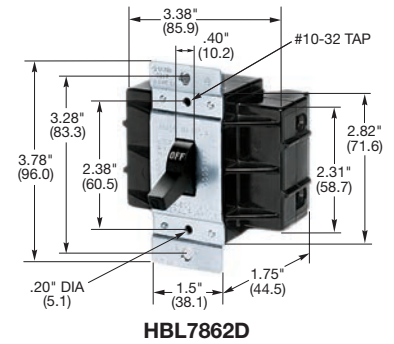


IP44*
SUITABILITY

40A 600V AC Manual Motor Controllers

Description	Catalog Number
40A, double pole, single throw, AC manual motor controller, black nylon handle, side wired.	HBL7842D
40A, three pole, single throw, AC manual motor controller, black nylon handle, side wired.	HBL7843D

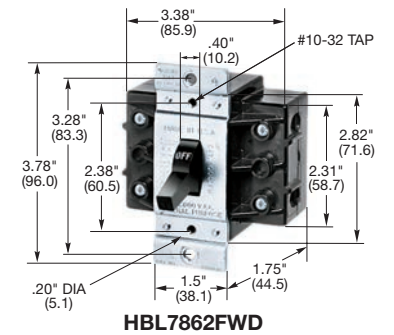
Note: See page F-17 for technical information.



50A 600V AC Manual Motor Controllers

Description	Catalog Number
50A, double pole, single throw, AC manual motor controller, black nylon handle, side wired.	HBL7852D
50A, three pole, single throw, AC manual motor controller, black nylon handle, side wired.	HBL7853D

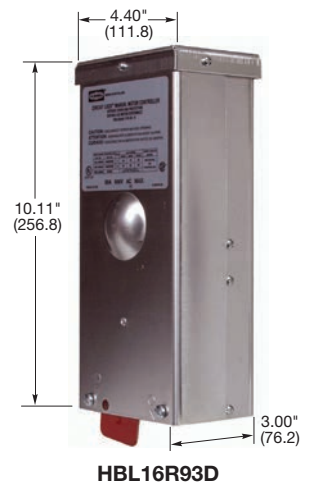
Note: See page F-17 for technical information.



60A 600V AC Manual Motor Controllers

Description	Catalog Number
60A, double pole, single throw, AC manual motor controller, black nylon handle, back wired.	HBL7862D
Same as HBL7862D except front wired.	HBL7862FWD
HBL7862FWD in Type 3R enclosure.	HBL16R92D
60A, three pole, single throw, AC manual motor controller, black nylon handle, back wired.	HBL7863D
Same as HBL7863D except front wired.	HBL7863FWD
HBL7863FWD in a Type 3R enclosure.	HBL16R93D
60A, 600V, three pole, rotary controller in NEMA 4X stainless steel enclosure.	HBL16S63D
60A, 600V, three pole, rotary controller in NEMA 4X non-metallic enclosure.	HBL16X63D

Note: See page F-17 for technical information.



85A 600V AC Manual Motor Controllers

Description	Catalog Number
85A, double pole, single throw, AC manual motor controller, black nylon handle, back wired.	HBL7882D
85A, three pole, single throw, AC manual motor controller, black nylon handle, back wired.	HBL7883D

Note: See page F-17 for technical information.

Motor Controller Accessories

Description	Catalog Number
Finger Guards, fit 30A, 40A and 50A controllers.	HBLFG30
Auxiliary Contacts, NO/Common/NC, for use in rotary switches only.	HBLAUX



Dimensions in Inches (mm)