



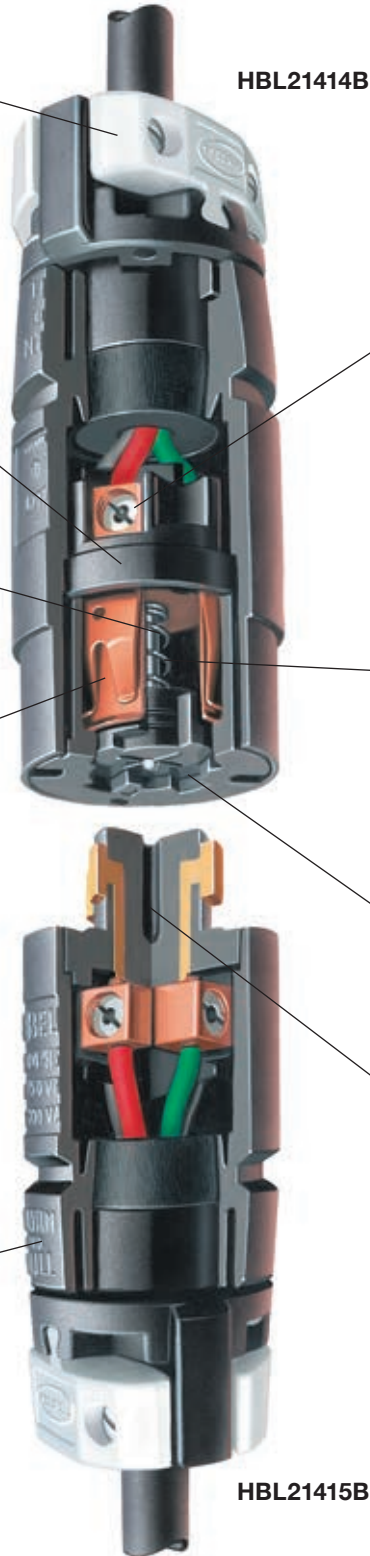
Three-piece thermoplastic clamp assembly with fast-lead stainless screws provides a more consistent durable grip. Grommets provide a sealed cable entry that protects against the entry of moisture and dust

Impact resistance in the interior of the female device comes from a strong thermoplastic material

No "lazy" connections because a spring-loaded safety shutter automatically ejects the plug if it hasn't been properly locked into the female device. This eliminates teasing of the contacts, a major cause of contact burn-up

Longer contact life is assured by supplementary springs. Other devices rely just on contacts themselves to provide proper contact pressure

Insulated non-metallic housing enhances safety and abuse resistance



Superior wire terminations are assured with box terminals and screws with pressure pads. This design captures stray wire strands and permits more clamping pressure on the wire without damaging it. Loosening of terminations and resulting heat build-up are greatly reduced

Arcs are snuffed out, when devices are mated or unmated under load, by spring-loaded safety shutter

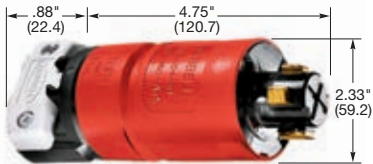
Enhanced safety because access to live female contacts is restricted by the spring-loaded safety shutter

Positive locking is ensured by the nose of the plug being keyed into a detent in female device. This lock is independent of the contacts or a separate mechanical lock

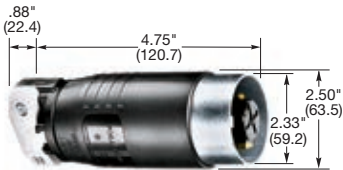
Note: Above cut-away view and call-outs are construction elements pertaining specifically to the 30A Hubbell series. While the Hubbell contact interface design applies to all, there are construction elements that are different, depending on the amperage.



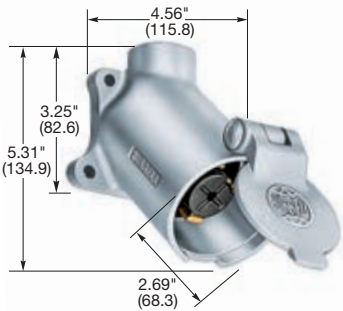
HBL21415B



HBL20445B

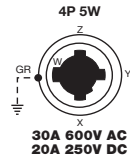
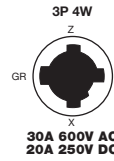


HBL25415B



HBL21447

IP30
SUITABILITY



Plugs

Description	Cord Dia.	Catalog Number		
Black nylon housing, thermoplastic interior.	.700"-1.200" (17.78-30.5)	HBL21415B	-	-
Same as above except corrosion resistant.	.700"-1.200" (17.78-30.5)	HBL21CM415B	-	-
Red nylon housing, thermoset interior.	.700"-1.200" (17.78-30.5)	-	HBL20445B[†]	-
Black nylon housing, thermoset interior, steel shroud.	.700"-1.200" (17.78-30.5)	-	-	HBL25415B

Note: See page B-68 for accessories.

[†]Not CSA Certified.

Flanged Inlets

Description	Catalog Number		
Weathertight, corrosion resistant, nickel plated brass plate, for FS/FD box mounting.	HBL22CM428	-	-
Black phenolic interior, aluminum housing, for FS/FD box mounting (not shown).	HBL20418	-	-
Aluminum angle housing, with ¼" NPT hub for surface mounting.	HBL21447	-	-



SEHBL3 - Switched enclosure for use with 3 pole 4 wire 30A Hubbell receptacle. Receptacle not included. See page B-37 for additional information.

Dimensions in Inches (mm)