

## Suspension Systems - NEMA 12, 13 Heavy Duty 50 mm or 80 mm Components

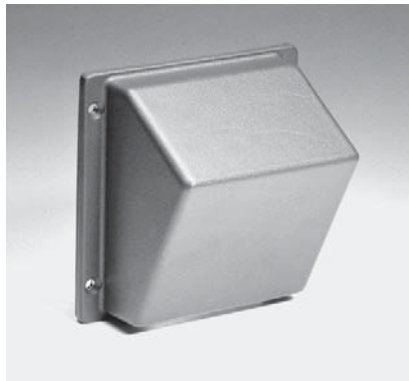
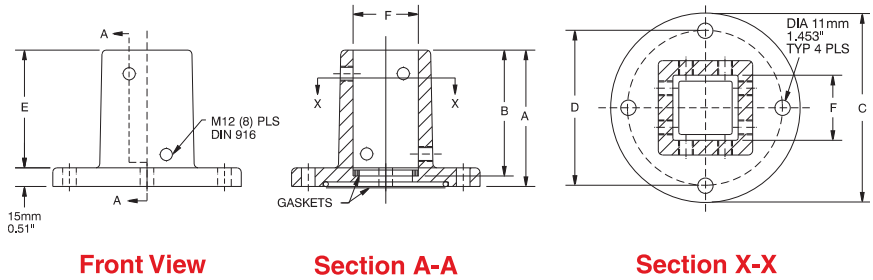
Operator Interface Enclosure



### Cast Iron Base

- 4G-s.g. cast iron.
- Gasket included.
- Does not rotate.

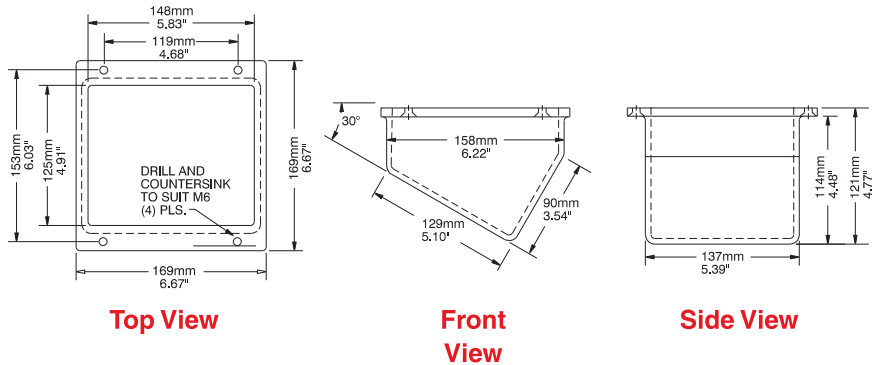
Part No.	System	A	B	C	D	E	F	Ship Wt. lbs.
R147-030-000R	in	50	4.33	3.94	5.98	4.92	3.74	1.97
	mm		110	100	152	125	95	50
R147-030-200R	in	80	5.51	5.12	7.87	6.81	4.92	3.15
	mm		140	130	200	173	125	80



### Slope Adaptor

- Provides 30° or 60° incline by mounting to rear of enclosure.
- Cast aluminum.

Part No.	Ship Wt. lbs.
R140-045-000R	8



Suspension System

Technical references and CAD downloads available at [www.hammondmfg.com](http://www.hammondmfg.com) All dimensions in inches unless specified otherwise