

Suspension Systems - NEMA 12, 13 Heavy Duty 50 mm or 80 mm Components

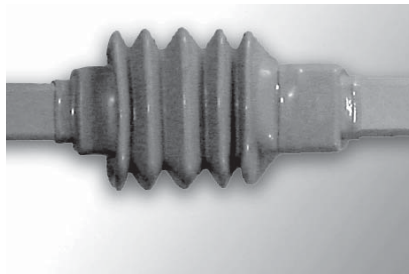
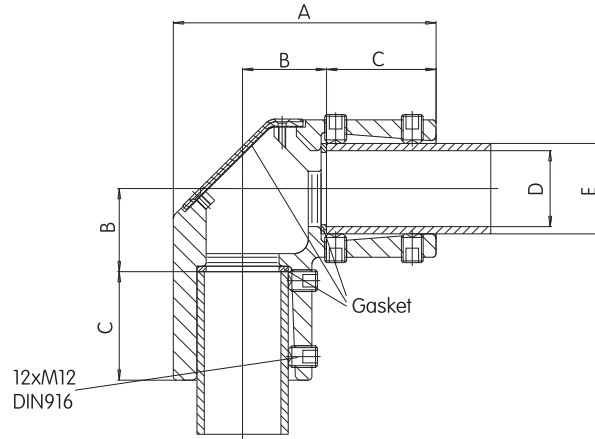
Operator Interface Enclosure



Elbow

- Cast Aluminum
- Large cover opening for easier cable pull through.

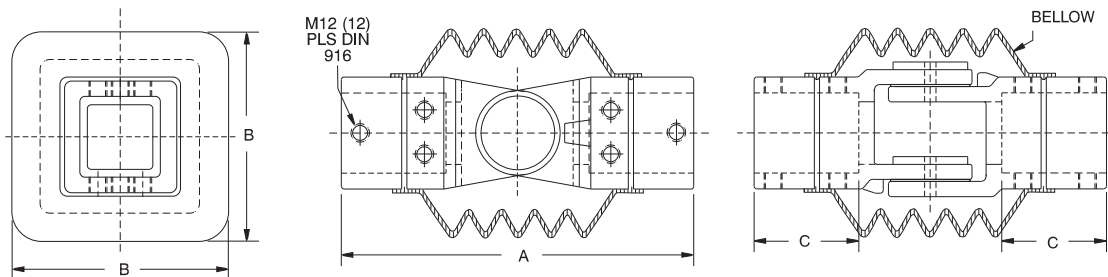
Part No.	System	A	B	C	D	E	Ship Wt. lbs.	
R147-020-000R	in	50	5.67	1.81	2.36	1.57	1.97	3
	mm		144	46	60	40	50	
R147-020-200R	in	80	7.60	2.20	3.27	2.76	3.15	6
	mm		193	56	83	70	80	



Intermediate Joint

- 4G-s.g. cast iron.
- Integrated movement stop.
- One piece bellow.
- Two sleeves.
- Features a rotation range of 170°.

Part No.	System	A	B	C	Ship Wt. lbs.	
R147-015-000R	in	50	9.29	5.83	2.76	9
	mm		236	148	70	
R147-015-200R	in	80	12.60	7.48	3.70	24
	mm		320	190	94	



Suspension System

Technical references and CAD downloads available at www.hammondmfg.com

All dimensions in inches unless specified otherwise

Quality Products. Service Excellence.