

T5 Linear (continued)

EcoSystem® (10% dimming) universal voltage digital dimming ballasts

- Energy-saving 10% dimming
- Easy integration of low-voltage sensors and wall controls
- Compatible with Lutron 3-wire fluorescent controls and EcoSystem digital controls
- Integral sensor connections

Lamp Watts (Length)	Lamps per Ballast	Model Number	Case Type*	Input Voltage (VAC)	Input Current (A)	Input Power (W)	Ballast Factor (BF)**	System Lumens (lm) [†]	System Efficacy (lm/W) [†]	Ballast Efficacy Factor (BEF)	Relative System Efficacy (RSE)
14W (21.6 in)	1	EC5 T514 J UNV 1	J	277	0.07	19.0	1.00	1,350	71	5.26	0.74
				240	0.08	19.2	1.00	1,350	70	5.21	0.74
				120	0.16	19.2	1.00	1,350	70	5.21	0.74
	2	EC5 T514 J UNV 2	J	277	0.12	32.8	1.00	2,700	82	3.05	0.85
				240	0.14	33.3	1.00	2,700	81	3.00	0.85
				120	0.28	33.3	1.00	2,700	81	3.00	0.85
21W (33.4 in)	1	EC5 T521 J UNV 1	J	277	0.09	24.9	1.00	2,100	84	4.01	0.84
				240	0.12	28.8	1.00	2,100	73	3.47	0.73
				120	0.22	26.4	1.00	2,100	80	3.79	0.80
	2	EC5 T521 J UNV 2	J	277	0.17	46.0	1.00	4,200	91	2.17	0.91
				240	0.20	47.2	1.00	4,200	89	2.12	0.89
				120	0.39	47.2	1.00	4,200	89	2.12	0.89
28W (45.2 in)	1	EC5 T528 J UNV 1	J	277	0.12	32.6	1.00	2,900	89	3.07	0.86
				240	0.14	32.9	1.00	2,900	88	3.04	0.85
				120	0.27	32.9	1.00	2,900	88	3.04	0.85
	2	EC5 T528 J UNV 2	J	277	0.23	64.5	1.00	5,800	90	1.55	0.87
				240	0.27	65.0	1.00	5,800	89	1.54	0.86
				120	0.54	65.2	1.00	5,800	89	1.53	0.86
35W (57.1 in)	1	EC5 T535 J UNV 1	J	277	0.15	41.6	1.00	3,650	88	2.40	0.84
				240	0.18	43.2	1.00	3,650	84	2.31	0.81
				120	0.35	42.0	1.00	3,650	87	2.38	0.83

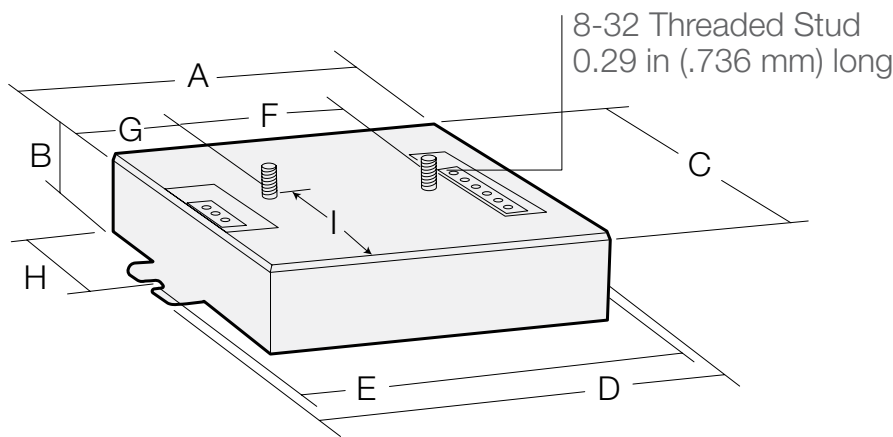
*For case type information see pages 42 and 43.

**Factory-tuned ballast factors available. To customize visit www.lutron.com/BallastTool.

[†]Actual number may vary with lamp model. Please consult the lamp manufacturer for lamp-specific data.

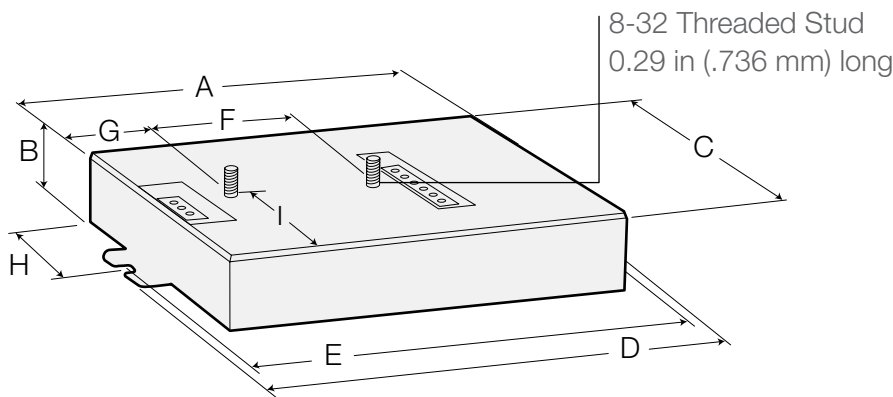
Case types and dimensions

A



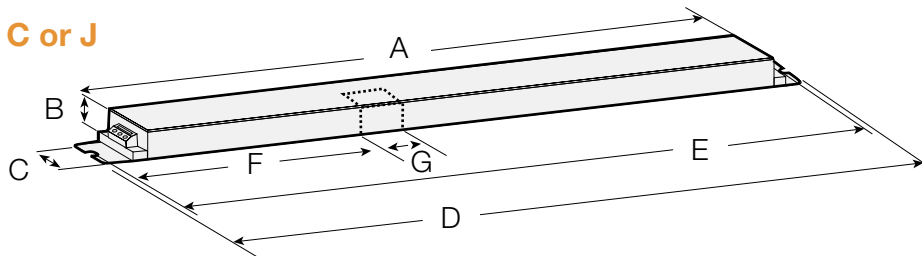
A	4.20 in (107 mm)
B	1.00 in (25 mm)
C	3.00 in (76 mm)
D	4.90 in (124 mm)
E	4.60 in (117 mm) C-C (mounting centers)
F	2.00 in (51 mm)
G	1.08 in (27 mm)
H	1.60 in (41 mm)
I	1.39 in (35 mm)

B



A	6.00 in (152 mm)
B	1.00 in (25 mm)
C	3.00 in (76 mm)
D	6.75 in (171 mm)
E	6.50 in (165 mm) C-C (mounting centers)
F	2.00 in (51 mm)
G	1.16 in (29 mm)
H	1.60 in (41 mm)
I	1.39 in (35 mm)

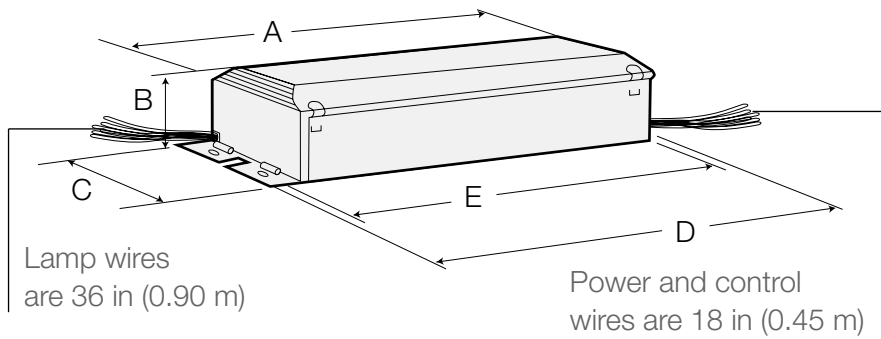
C or J



A	16.12 in (409 mm)
B	1.00 in (25 mm)
C	1.18 in (30 mm)
D	18.00 in (457 mm)
E	17.70 in (450 mm) C-C (mounting centers)
F	6.82 in (173 mm) (J only)
G	0.394 in (10 mm) (J only)

NOTE: Dotted area for sensor attachment applies for EcoSystem® J case only.

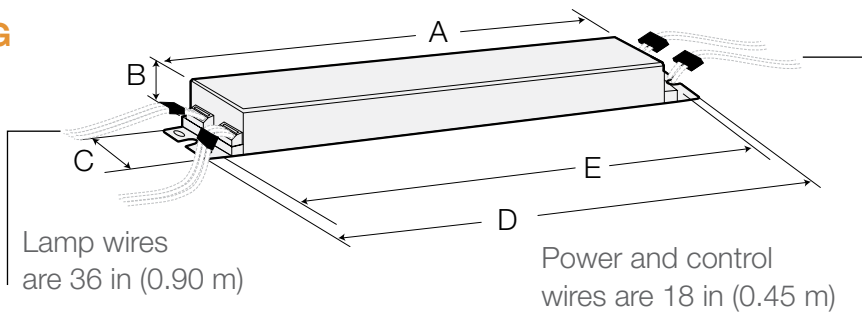
F



- A 8.30 in (211 mm)
- B 1.50 in (38 mm)
- C 2.38 in (60.5 mm)
- D 9.50 in (241 mm)
- E 8.91 in (226 mm)

Slot mounting centers
If using 4-hole mount, mounting centers are 9.21 in (234 mm) X 1.70 in (43 mm).

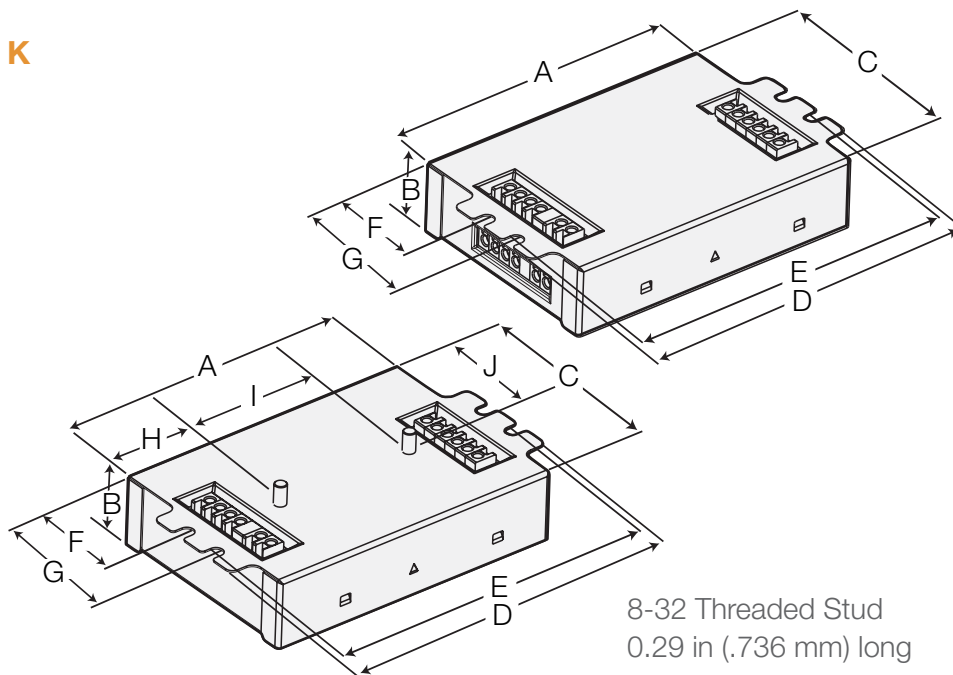
G



- A 7.13 in (181 mm)
- B 1.00 in (25 mm)
- C 2.38 in (60.5 mm)
- D 9.50 in (241 mm)
- E 8.91 in (226 mm)

Slot mounting centers
If using 4-hole mount, mounting centers are 9.00 in (229 mm) X 1.06 in (27 mm).

K



- A 4.20 in (107 mm)
- B 1.00 in (25 mm)
- C 3.00 in (76 mm)
- D 4.90 in (124 mm)
- E 4.60 in (117 mm)
- (mounting centers)
- F 1.42 in (36 mm)
- G 1.99 in (51 mm)

Side entry connector located on both sides

For Studded Models Only:

- H 1.09 in (28 mm)
- I 2.00 in (51 mm)
- J 1.60 in (41 mm)