







#### Insulated Enclosures for Surface Mounting of XTPB Pushbutton Manual Motor Protectors—North American Usage <sup>①</sup>

|  | Degree of Protection                 | For Use with...  | Description  | Catalog Number       |
|--|--------------------------------------|--|--|----------------------|
|   | Front IP40<br>NEMA 1                 | XTPB MMP only or with:<br>XTPAXFA_, XTPBXFAEM20,<br>XTPAXSA_, XTPAXUVR_,<br>XTPAXSR_ | —  | <b>XTPBXENCF40</b>   |
|   | Front IP65<br>NEMA<br>3R, 4X, 12, 13 |  | With actuating diaphragm   | <b>XTPBXENCF55</b>   |
|   | Front IP65<br>NEMA<br>3R, 4X, 12, 13 | XTPB MMP only or with:<br>XTPAXFA_, XTPAXUVR_,<br>XTPAXSR_, XTPAXCL                  | Lockable in OFF position   | <b>XTPBXENCFLO55</b> |
|   | Front IP65<br>NEMA<br>3R, 4X, 12, 13 | XTPB MMP only or with:<br>XTPAXFA_, XTPBXFAEM20,<br>XTPAXUVR_, XTPAXSR_,<br>XTPAXCL  | Lockable in OFF position in combination with XTPBXFAEM20<br>early-make front-mount auxiliary contact | <b>XTPBXENCFLE55</b> |
|   | Front IP65<br>NEMA<br>3R, 4X, 12, 13 |  | With emergency-stop (e-stop) pushbutton actuator, red-yellow   | <b>XTPBXENCFES55</b> |
|  | Front IP65<br>NEMA<br>3R, 4X, 12, 13 |  | With emergency-stop (e-stop) pushbutton actuator, red-yellow<br>key release                          | <b>XTPBXENCFEK55</b> |

**Note**

① Integrated terminal for PE(N) connection.

# 1.1

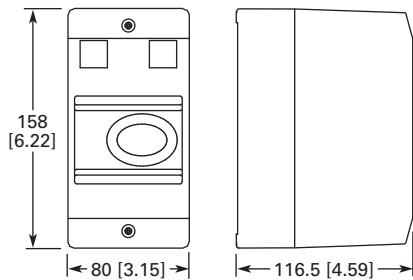
## IEC Contactors and Starters

### XT IEC Power Control

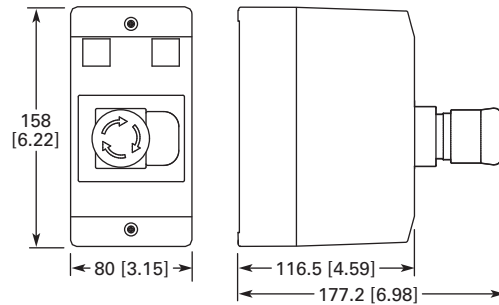
1

Approximate Dimensions in mm [in]

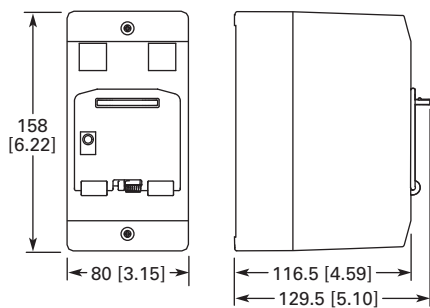
#### Insulated Enclosures for Surface Mounting of XTPB Manual Motor Protectors



XTPBXENCS40, XTPBXENCS65, XTPBXENAS41, XTPBXENAS65

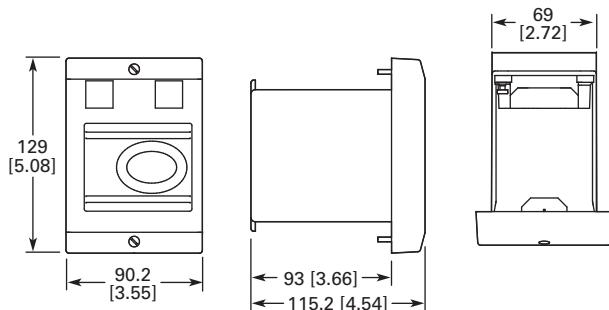


XTPBXENCSEK65, XTPBXENCSES65, XTPBXENASEK65, XTPBXENASES65

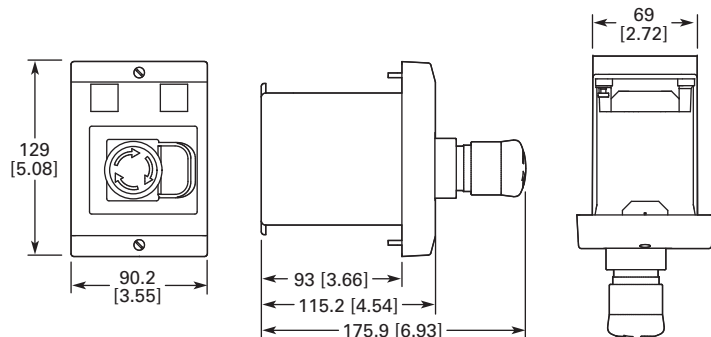


XTPBXENCSL65, XTPBXENCSL065, XTPBXENASL65, XTPBXENAS0065

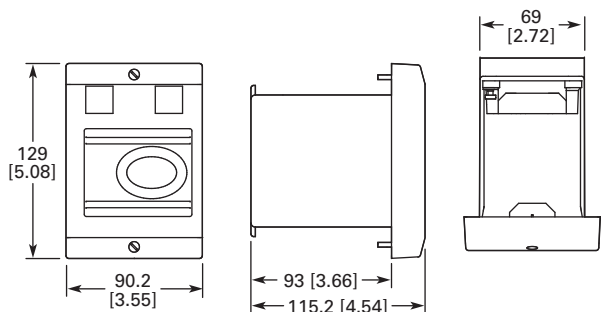
#### Insulated Enclosures for Flush Mounting of XTPB Manual Motor Protectors



XTPBXENCF40, XTPBXENCF55



XTPBXENCFEK55, XTPBXENCSES55



XTPBXENCFL65, XTPBXENCFL055

Approximate Dimensions in mm [in]

**Pushbutton MMP Enclosures****Insulated Enclosures for Surface Mounting****XTPB Pushbutton Motor-Protective Circuit Breakers**

| Catalog Number       | H x W x D                                |
|----------------------|--|
| <b>Global Usage</b>  |  |
| <b>XTPBXENC540</b>   | 158 x 80 x 116.5<br>[6.22 x 3.15 x 4.59] |
| <b>XTPBXENC65</b>    | 158 x 80 x 116.5<br>[6.22 x 3.15 x 4.59] |
| <b>XTPBXENC5L065</b> | 158 x 80 x 129.5<br>[6.22 x 3.15 x 5.10] |
| <b>XTPBXENC5LE65</b> | 158 x 80 x 129.5<br>[6.22 x 3.15 x 5.10] |
| <b>XTPBXENC5ES65</b> | 158 x 80 x 177.2<br>[6.22 x 3.15 x 6.98] |
| <b>XTPBXENC5EK65</b> | 158 x 80 x 177.2<br>[6.22 x 3.15 x 6.98] |

**XTPB Pushbutton Manual Motor Protectors**

| Catalog Number              | H x W x D                                |
|-----------------------------|--|
| <b>North American Usage</b> |  |
| <b>XTPBXENAS41</b>          | 158 x 80 x 116.5<br>[6.22 x 3.15 x 4.59] |
| <b>XTPBXENAS65</b>          | 158 x 80 x 116.5<br>[6.22 x 3.15 x 4.59] |
| <b>XTPBXENASL065</b>        | 158 x 80 x 129.5<br>[6.22 x 3.15 x 5.10] |
| <b>XTPBXENASLE65</b>        | 158 x 80 x 129.5<br>[6.22 x 3.15 x 5.10] |
| <b>XTPBXENASES65</b>        | 158 x 80 x 177.2<br>[6.22 x 3.15 x 6.98] |
| <b>XTPBXENASEK65</b>        | 158 x 80 x 177.2<br>[6.22 x 3.15 x 6.98] |

**Frame B (0.1–32A) XTPR Motor-Protective Circuit Breakers**

| Catalog Number      | H x W x D                                |
|---------------------|--|
| <b>Global Usage</b> |  |
| <b>XTPAXENC541</b>  | 160 x 100 x 104<br>[6.30 x 3.94 x 4.09]  |
| <b>XTPAXENC65B</b>  | 160 x 100 x 130<br>[6.30 x 3.94 x 5.12]  |
| <b>XTPAXENC65RY</b> | 160 x 100 x 130<br>[6.30 x 3.94 x 5.12]  |
| <b>XTPAXENC540</b>  | 158 x 80 x 100<br>[6.22 x 3.15 x 3.94]   |
| <b>XTPAXENC55B</b>  | 158 x 80 x 125.5<br>[6.22 x 3.15 x 4.94] |
| <b>XTPAXENC55RY</b> | 158 x 80 x 125.5<br>[6.22 x 3.15 x 4.94] |

**Frame B (0.1–32A) XTPR Rotary Manual Motor Protectors**

| Catalog Number              | H x W x D                               |
|-----------------------------|---|
| <b>North American Usage</b> |   |
| <b>XTPAXENAS55B</b>         | 160 x 100 x 130<br>[6.30 x 3.94 x 5.12] |
| <b>XTPAXENAS55RY</b>        | 160 x 100 x 130<br>[6.30 x 3.94 x 5.12] |

**Frame B XTPR (0.1–32A) Rotary Motor-Protective Circuit Breakers with XTPAXFAEM20 Early-Make Front-Mount Auxiliary Contact**

| Catalog Number         | H x W x D                               |
|------------------------|---|
| <b>Global Usage</b>    |   |
| <b>XTPAXENCSEM65B</b>  | 160 x 100 x 130<br>[6.30 x 3.94 x 5.12] |
| <b>XTPAXENCSEM65RY</b> | 160 x 100 x 130<br>[6.30 x 3.94 x 5.12] |
| <b>XTPAXENCSEM55B</b>  | 158 x 80 x 100<br>[6.22 x 3.15 x 3.94]  |
| <b>XTPAXENCSEM55RY</b> | 158 x 80 x 100<br>[6.22 x 3.15 x 3.94]  |

**Frame B XTPR (0.1–32A) Rotary Manual Motor Protectors with XTPAXFAEM20 Early-Make Front-Mount Auxiliary Contact**

| Catalog Number              | H x W x D                               |
|-----------------------------|---|
| <b>North American Usage</b> |   |
| <b>XTPAXENCSEM55B</b>       | 160 x 100 x 130<br>[6.30 x 3.94 x 5.12] |
| <b>XTPAXENCSEM55RY</b>      | 160 x 100 x 130<br>[6.30 x 3.94 x 5.12] |

**Frame D (10–65A) Rotary Motor-Protective Circuit Breakers**

| Catalog Number                         | H x W x D                               |
|--|---|
| <b>Global and North American Usage</b> |   |
| <b>XTPAXENCSD65B</b>                   | 240 x 160 x 197<br>[9.45 x 6.30 x 7.76] |
| <b>XTPAXENCSD65RY</b>                  | 240 x 160 x 197<br>[9.45 x 6.30 x 7.76] |

**Insulated Enclosures for Flush Mounting****XTPB Pushbutton Manual Motor Protectors**

| Catalog Number                         | H x W x D                                  |
|--|--|
| <b>Global and North American Usage</b> |  |
| <b>XTPBXENC40</b>                      | 129 x 90.2 x 115.2<br>[5.08 x 3.55 x 4.54] |
| <b>XTPBXENC55</b>                      | 129 x 90.2 x 115.2<br>[5.08 x 3.55 x 4.54] |
| <b>XTPBXENC5FLO55</b>                  | 129 x 90.2 x 115.2<br>[5.08 x 3.55 x 4.54] |
| <b>XTPBXENC5FLE55</b>                  | 129 x 90.2 x 115.2<br>[5.08 x 3.55 x 4.54] |
| <b>XTPBXENC5FES55</b>                  | 129 x 90.2 x 175.9<br>[5.08 x 3.55 x 6.93] |
| <b>XTPBXENC5FEK55</b>                  | 129 x 90.2 x 175.9<br>[5.08 x 3.55 x 6.93] |

**Frame B (0.1–32A) XTPR Rotary Manual Motor Protectors**

| Catalog Number      | H x W x D                              |
|---------------------|--|
| <b>Global Usage</b> |  |
| <b>XTPAXENC40</b>   | 129 x 85 x 96<br>[5.08 x 3.35 x 3.78]  |
| <b>XTPAXENC55B</b>  | 129 x 85 x 124<br>[5.08 x 3.35 x 4.88] |
| <b>XTPAXENC55RY</b> | 129 x 85 x 124<br>[5.08 x 3.35 x 4.88] |