

1-, 2- and 3-pole, Class CC, UL midget and 10x38mm IEC



Amp rating	UL fuse class	No. of poles	Volts	SCCR	Max horsepower rating*				Wire size/ (torque†††)	Wire type	Part number	Agency information
					120 Vac	240 Vac	480 Vac	600 Vac				
30	CC	1	600Vac	200kA	0.5	—	—	—	Single/Dual 8-6AWG	75°C Cu or higher	CCP-1-30CC	UL 98 Listed, cULus 22.2, No. 4-04
30	CC	2	600Vac	200kA	—	2	—	—			CCP-2-30CC	UL 98 Listed, cULus 22.2, No. 4-04
30	CC	3	600Vac	200kA	—	3	4	7.5			CCP-3-30CC	UL 98 Listed, cULus 22.2, No. 4-04
30	UL Midget	1	240Vac†	10kA†	—	—	—	—	Single 4AWG	75°C Cu or higher	CCP-1-30M	UL 508 Listed, cULus 22.2, No. 14-05
32*	10x38 IEC		400Vac†	120kA†								IEC 60947-3, AC23A
30	UL Midget	2	240Vac†	10kA†	—	—	—	—	Sol/Str	75°C Cu or higher	CCP-2-30M	UL 508 Listed, cULus 22.2, No. 14-05
32*	10x38 IEC		400Vac†	120kA†								IEC 60947-3, AC23A
30	UL Midget	3	240Vac†	10kA†	—	—	—	—	Spade Terminal††	75°C Cu or higher	CCP-3-30M	UL 508 Listed, cULus 22.2, No. 14-05
32*	10x38 IEC		400Vac†	120kA†								IEC 60947-3, AC23A
30	CC	1	80Vdc†	20kA†	—	—	—	—	—	—	CCP-1-DC	UL 98 Listed, CSA 22.2, No. 4-04
30	CC	1	80Vdc†	10kA†	—	—	—	—	—	—	CCP-1-DCM	UL 508 Listed, cULus 22.2, No. 14-05
32*	10x38 IEC											IEC 60947-3, DC23A

*32A Class aM, 25A Class gG.
 †SCCR May be lower, refer to installed fuse data sheets.
 ††Spade terminal with a 4.3mm gap for a #8-32 stud, 30A max, insulated flange, wire size 12-10AWG.
 †††- 18-10AWG; 20 Lb-In
 - 8-4AWG; 35 Lb-In

Specifications

Agency information

- CE compliant
- RoHS compliant
- For Class CC fuse versions
 - UL 98 Listed, File E302370, Guide WHTY
 - cULus to CSA Standard 22.2 No. 4-04, File 302370, Guide WHTY7
- For UL midget and 10X38 IEC fuse versions
 - UL 508 Listed, File E320230, Guide NRNT
 - cULus Certified 22.2 No. 14-05
 - IEC 60947-3 AC23A
 - IEC 60947-3 DC23A



Terminals

- Single/dual conductor box lug or spade terminal suitable for line, load or accessory connection

Torque

- 18-10AWG 20 Lb-In
- 8-4AWG 35 Lb-In

Storage and operating temperature

- -20°C to 75°C*

* For fuse performance under or above 25°C, consult fuse performance derating charts in the Eaton publication titled *Selecting Protective Devices (SPD)*, reorder #3002.

Flammability rating

- UL 94V0

Lockout/tagout provisions

- 4mm shank lock or Brady pin-out device, Part number 90850

Mounting

- 35mm DIN-Rail

Local open fuse indication minimum voltage**

- 90Vac for AC versions
- 12Vdc for DC versions

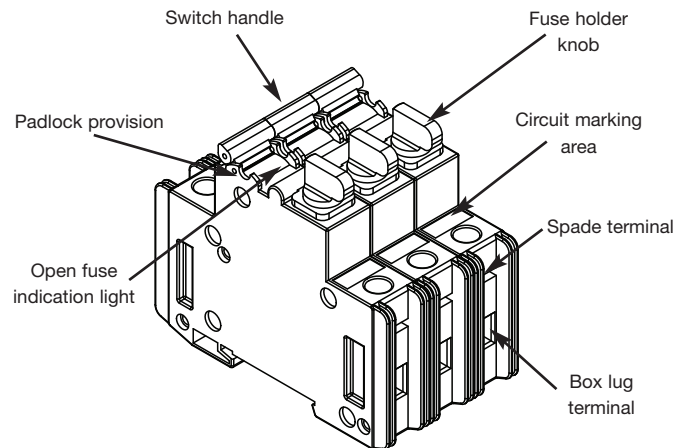
** Open fuse indication requires an open fuse to be in the CCP and the switch in the ON position.

Features

- IP20 Finger-safe construction with #10 or larger wire
- Switch interlock prohibits removing the fuse under load

Accessories

- Auxiliary contacts
- PLC wired remote fuse indication



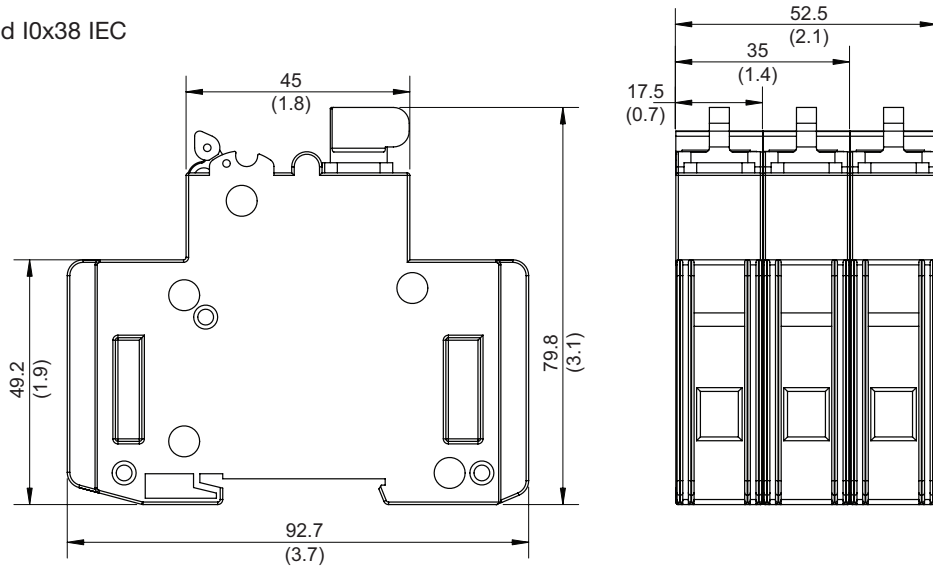
Available Bussmann series fuses

Fuse class	Type/description	Volts	Data Sheet #
CC	LP-CC time-delay, current limiting	600Vac/300Vdc	1023
CC	FNQ-R time-delay	600Vac/300Vdc	1014
CC	KTK-R fast-acting	600Vac	1015
M	FNM time-delay	250Vac	2028
M	FNQ time-delay	500Vac	1012
M	KTK fast-acting	600Vac	1011
M	BAF fast-acting	250Vac	2011
M	KLM fast-acting	600Vac/dc	2020
gG/gL	C10G	500V (400V@32A)	720115
aM	C10M	500V (400V@20@25A)	720115

1-, 2- and 3-pole, Class CC, UL midget and 10x38mm IEC

Dimensions – mm (in)

Class CC, UL midget and 10x38 IEC



Disconnect switches



Auxiliary contacts



PLC indicator
(Includes leads with spade terminals)

CCP-_-30_ accessories					
Description	Max per CCP	Signal output	Minimum circuit voltage	Agency information	Part number
Auxiliary contacts NO+NC For switch status	1 per CCP (1-, 2- or 3-pole)	5A/ 240Vac	—	UL 98 Recognized, cURus 22.2 No. 4-04, IEC 60947-5-1 AC15	CCP-AUX*
PLC fuse monitor for open fuse indication	1 per CCP (1-, 2- or 3-pole)	24Vdc/ 10mA	100Vac	UL 98 Recognized, cURus 22.2 No. 4-04	CCP-PLC-IND*

* Refer to Data Sheet # 1157 for details.