

HBL2341

Plugs

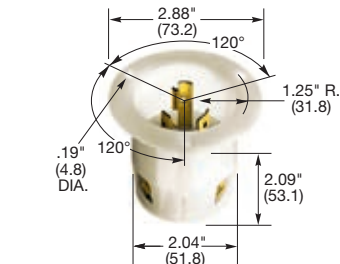
Description	Cord Dia.	Catalog Number			
Black and white nylon.	.360"-.930" (9-24)	HBL3721	HBL2341	HBL2351	-
Black and white nylon (Not shown).	.300"-1.050" (7.6-26.7)	-	-	-	HBL2361

Note: See page B-51 for accessories.

Flanged Inlets

Description	Catalog Number				
Nylon casing, back wired.	HBL3725	HBL2345	HBL2355	HBL2365	

Note: See page B-50 for accessories.



HBL2345

Connector Bodies

Description	Cord Dia.	Catalog Number			
Black and white nylon.	.360"-.930" (9-24)	HBL3723	HBL2343	HBL2353	-
Black and white nylon (Not shown).	.300"-1.050" (7.6-26.7)	-	-	-	HBL2363

Note: See page B-51 for accessories.

Single Flush Receptacles

Description	Catalog Number				
Black nylon face, back and side wired.	HBL3720	HBL2340	HBL2350	HBL2360	
Watertight Safety-Shroud®, gray Valox® housing and flange, back and side wired, (Not shown).	-	HBL2340SW	-	-	
Isolated ground, orange nylon face, back and side wired.	-	IG2340	-	-	

Note: See page B-50 for accessories.

Flanged Receptacles

Description	Catalog Number				
Nylon casing, back wired.	HBL3726	HBL2346	HBL2356	HBL2366	

Note: See page B-50 for accessories.

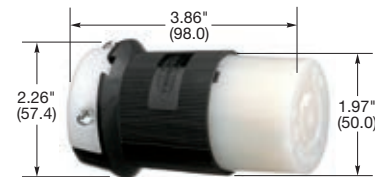
See page B-69 for technical information.

See page B-37 for switched enclosure.

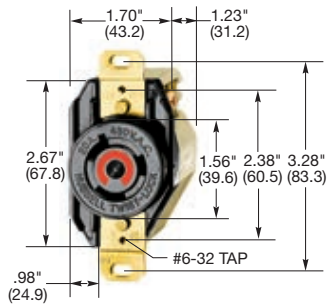
See page B-40 for Add-A-Shroud® kit. For use with connector bodies.

Only receptacles and plugs up to 480V AC are HP rated.

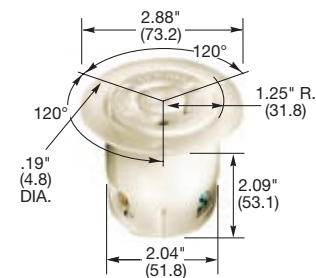
HP ratings are AC only.



HBL2343



HBL2340



HBL2346