

Heavy-Duty Mechanical In-Wall Timers - 20 A

KM2 Series

For installing on circuits up to 20 A, this timer provides automatic 24-hour ON/OFF control of outdoor/indoor lighting, fans, pumps, office equipment and other types of loads.

Features

- 72 trippers provide 36 ON/OFF events per 24-hour period
- Captive trippers with 20-minute switching intervals
- 3-way (SPDT) switch available
- 3 position ON/OFF/AUTO override provides continuous ON or OFF operation
- Reliable synchronous timer motor
- Multiple wall plates available
- Easy wiring and installation
- Heavy-Duty 20 A rating
- Requires neutral connection

Model #	Wall Plate Configuration	
Single Switch (SPST)		
KM2ST-1G	Timer Only	
KM2ST-2G	Timer + Toggle Switch	2-Gang
KM2ST-3G		3-Gang
KM2ST-4G		4-Gang
KM2ST-2D	Timer + Decorator Switch	2-Gang
KM2ST-3D		3-Gang
KM2ST-2R	Timer + Receptacle	2-Gang
3-Way Switch (SPDT)		
KM2STU-1G	Timer Only	

Accessories/Replacement

Faceplates See page 170 for full list



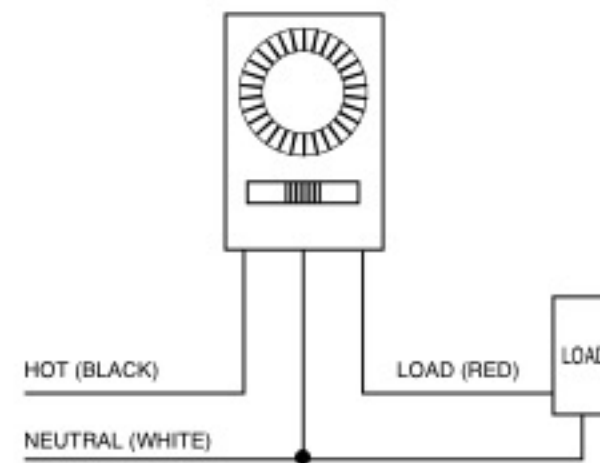
Ratings	
Operating Voltage	120 VAC, 60 Hz
Resistive	20 A
Incandescent	1350 W, 120 VAC
Motor	1 HP, 120 VAC
Operating Temperature	-40° F to 180° F (-40° C to 82° C)
Relative Humidity	0 to 95%, non-condensing
Wiring Terminals	
SPST	(3) #14 AWG color coded
SPDT	(4) #14 AWG color coded
Warranty	1-year limited



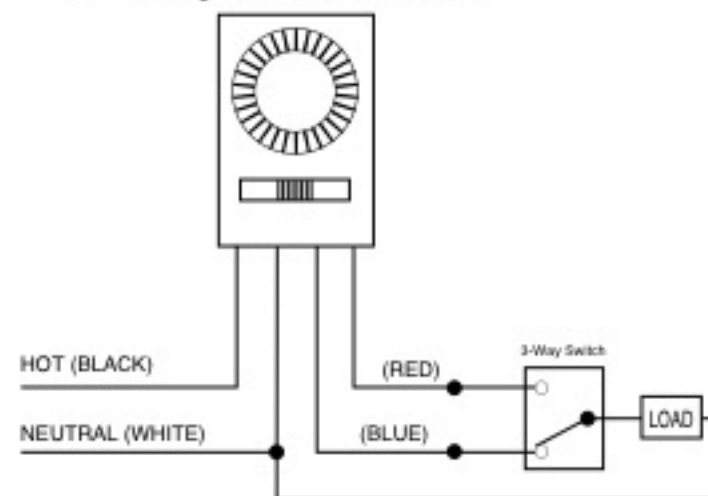
KM2ST-IG

Wiring Diagrams

Standard Installation



3-Way Installation



Timer Toggle Switch Plate



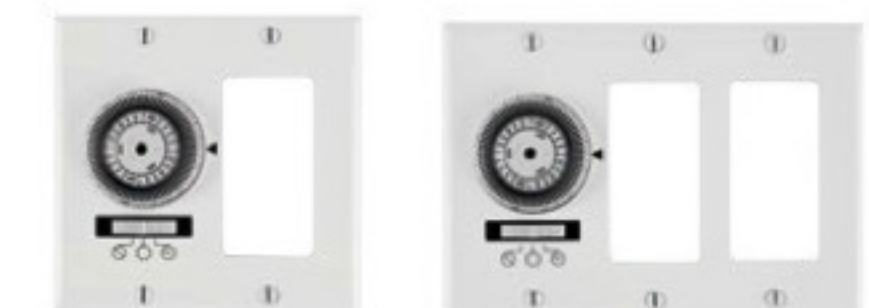
2-Gang

3-Gang



4-Gang

Timer and Decorator Switch Plate



2-Gang

3-Gang

Timer and Receptacle Plate



2-Gang