

Ballasts by lamp type

T8 and U-bent (continued)

EcoSystem® (10% dimming) universal voltage digital dimming ballasts											
<ul style="list-style-type: none"> • Energy-saving 10% dimming • Easy integration of low-voltage sensors and wall controls • Compatible with Lutron 3-wire fluorescent controls and EcoSystem digital controls • Integral sensor connections 											
Lamp Watts (Length)	Lamps per Ballast	Model Number	Case Type*	Input Voltage (VAC)	Input Current (A)	Input Power (W)	Ballast Factor (BF)**	System Lumens (lm)†	System Efficacy (lm/W)†	Ballast Efficacy Factor (BEF)	Relative System Efficacy (RSE)
17W (24 in)	1	EC5 T817 J UNV 1	J	277	0.08	20.6	0.85	1,190	58	4.13	0.70
				240	0.08	20.0	0.85	1,190	60	4.25	0.72
				120	0.17	20.1	0.85	1,190	59	4.23	0.72
	2	EC5 T817 J UNV 2	J	277	0.13	36.2	0.85	2,380	66	2.35	0.80
				240	0.15	37.0	0.85	2,380	64	2.30	0.78
				120	0.31	37.0	0.85	2,380	64	2.30	0.78
25W (36 in)	1	EC5 T825 J UNV 1	J	277	0.10	27.6	0.85	1,828	66	3.08	0.77
				240	0.11	27.0	0.85	1,828	68	3.15	0.79
				120	0.23	26.9	0.85	1,828	68	3.16	0.79
	2	EC5 T825 J UNV 2	J	277	0.18	48.9	0.85	3,665	75	1.74	0.87
				240	0.20	49.0	0.85	3,665	75	1.73	0.87
				120	0.41	49.0	0.85	3,665	75	1.73	0.87
32W (48 in)	1	EC5 T832 J UNV 1	J	277	0.11	31.6	0.85	2,550	81	2.69	0.86
				240	0.13	31.0	0.85	2,550	82	2.74	0.87
				120	0.26	31.3	0.85	2,550	81	2.72	0.87
				277	0.21	57.4	0.85	5,100	89	1.48	0.95
				240	0.25	59.0	0.85	5,100	86	1.44	0.92
				120	0.49	59.1	0.85	5,100	86	1.44	0.92
	2	EC5 T832 J UNV 2	J	277	0.22	59.6	0.85	5,100	86	1.43	0.91
				240	0.25	57.6	0.85	5,100	89	1.48	0.94
				120	0.49	58.8	0.85	5,100	87	1.45	0.93
				277	0.31	86.5	0.85	7,650	88	0.98	0.94
				240	0.36	84.0	0.85	7,650	89	1.01	0.97
				120	0.72	85.9	0.85	7,650	89	0.99	0.95
	3	EC5 T832 G UNV 3L††	G	277	0.41	105.7	1.17	10,530	100	1.11	1.06
				240	0.47	106.5	1.17	10,530	99	1.10	1.05
				120	0.95	106.8	1.17	10,530	99	1.10	1.05
277				0.22	59.6	0.85	5,100	86	1.43	0.91	
240				0.25	57.6	0.85	5,100	89	1.48	0.94	
120				0.49	58.8	0.85	5,100	87	1.45	0.93	
EC5 T832 G UNV 2L††	G	277	0.22	59.6	0.85	5,100	86	1.43	0.91		
		240	0.25	57.6	0.85	5,100	89	1.48	0.94		
		120	0.49	58.8	0.85	5,100	87	1.45	0.93		

*For case type information see pages 42 and 43.

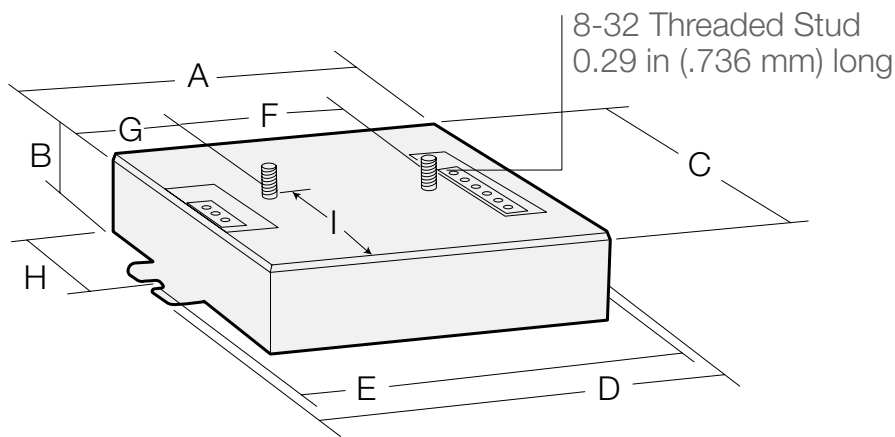
**Factory-tuned ballast factors available. To customize visit www.lutron.com/BallastTool.

†Actual number may vary with lamp model. Please consult the lamp manufacturer for lamp-specific data.

††Ballast ships with leads.

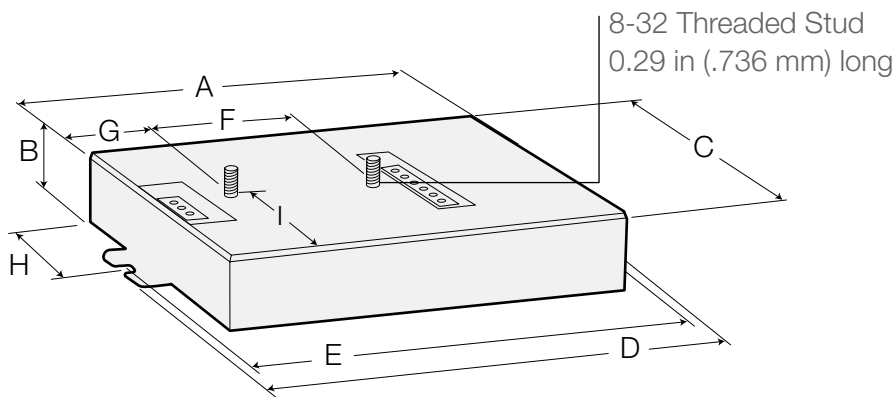
Case types and dimensions

A



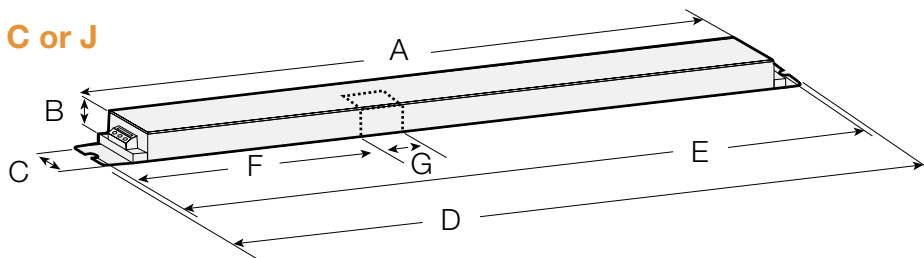
A	4.20 in (107 mm)
B	1.00 in (25 mm)
C	3.00 in (76 mm)
D	4.90 in (124 mm)
E	4.60 in (117 mm) C-C (mounting centers)
F	2.00 in (51 mm)
G	1.08 in (27 mm)
H	1.60 in (41 mm)
I	1.39 in (35 mm)

B



A	6.00 in (152 mm)
B	1.00 in (25 mm)
C	3.00 in (76 mm)
D	6.75 in (171 mm)
E	6.50 in (165 mm) C-C (mounting centers)
F	2.00 in (51 mm)
G	1.16 in (29 mm)
H	1.60 in (41 mm)
I	1.39 in (35 mm)

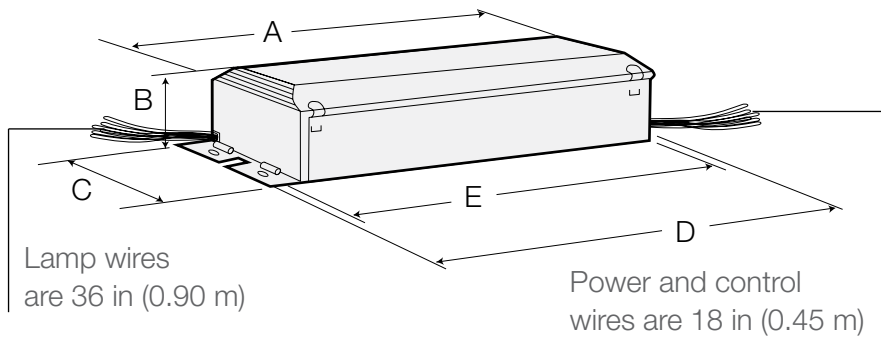
C or J



A	16.12 in (409 mm)
B	1.00 in (25 mm)
C	1.18 in (30 mm)
D	18.00 in (457 mm)
E	17.70 in (450 mm) C-C (mounting centers)
F	6.82 in (173 mm) (J only)
G	0.394 in (10 mm) (J only)

NOTE: Dotted area for sensor attachment applies for EcoSystem® J case only.

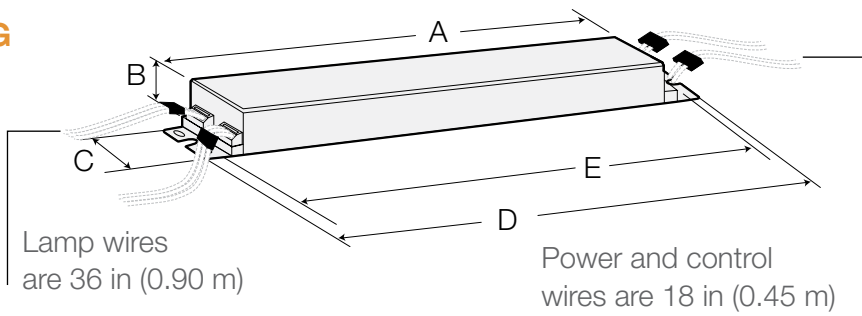
F



- A 8.30 in (211 mm)
- B 1.50 in (38 mm)
- C 2.38 in (60.5 mm)
- D 9.50 in (241 mm)
- E 8.91 in (226 mm)

Slot mounting centers
 If using 4-hole mount, mounting centers are 9.21 in (234 mm) X 1.70 in (43 mm).

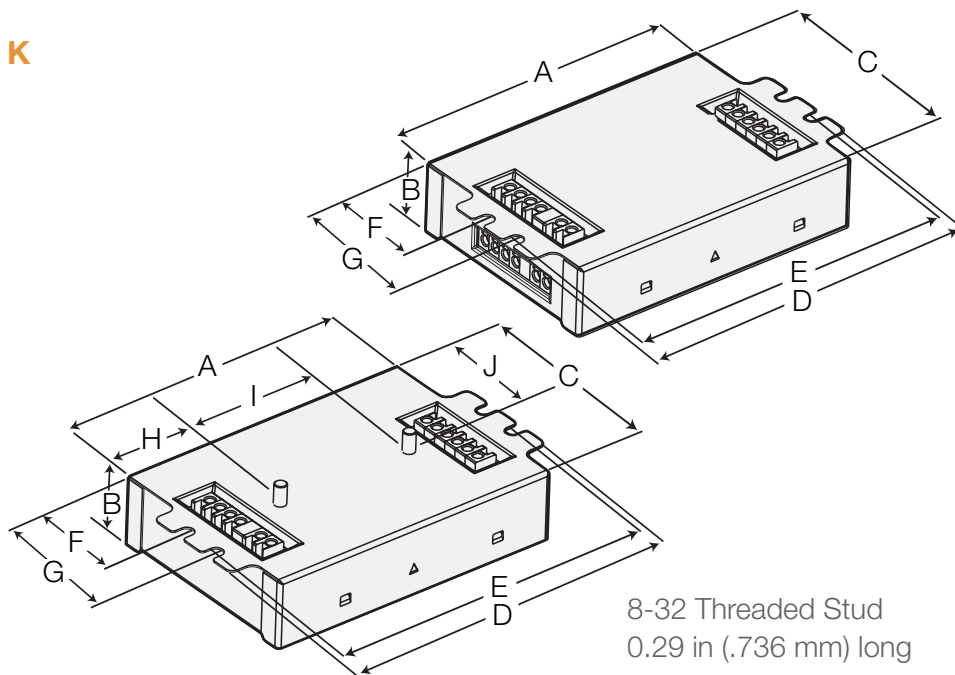
G



- A 7.13 in (181 mm)
- B 1.00 in (25 mm)
- C 2.38 in (60.5 mm)
- D 9.50 in (241 mm)
- E 8.91 in (226 mm)

Slot mounting centers
 If using 4-hole mount, mounting centers are 9.00 in (229 mm) X 1.06 in (27 mm).

K



- A 4.20 in (107 mm)
- B 1.00 in (25 mm)
- C 3.00 in (76 mm)
- D 4.90 in (124 mm)
- E 4.60 in (117 mm)
- (mounting centers)
- F 1.42 in (36 mm)
- G 1.99 in (51 mm)

Side entry connector located on both sides

For Studded Models Only:

- H 1.09 in (28 mm)
- I 2.00 in (51 mm)
- J 1.60 in (41 mm)