



ET91615CR



ET90215CRE



ET90115C

ET90000 Series

365-Day Astronomic Time Switches

The ET90000 Series combines powerful and intuitive scheduling with truly maintenance-free convenience. The PC App and Mobile App provide real-time remote control, and the USB connection and Ethernet capabilities enable in-field updates.

Applications

- School districts • Banks • Small hotels • Franchises • Retail stores
- Municipalities • Parking lots • Offices

Features

- Automatic input voltage selection from 120 to 277 VAC, 50/60 Hz
- Over 2,000 events plus holiday schedules
- Advanced scheduling including relative dating, such as fourth Thursday of November or first week of year
- 30 A rated contacts
- 100-hour supercapacitor eliminates the need for batteries
- USB connection for uploading, downloading and transferring programs
- Easy-to-follow on-screen menus for programming to-the-minute accuracy
- Non-volatile memory protects programming indefinitely
- Firmware upgradable in-field via USB or Ethernet
- Internally expandable, in 4-circuit increments, up to 16-circuits for 4, 8, and 12-circuit models
- PC App for easy scheduling or control, either remotely or through USB flash drive
- Mobile app for real time status and overrides

Load Type	NO (Normally Open)	NC (Normally Closed)	Voltage
General Purpose & Resistive	30 A	—	12-240 VAC
General Purpose & Resistive	20 A	10 A	12-240 VAC
Resistive	20 A	10 A	28 VDC
Magnetic Ballast	20 A	3 A	120-277 VAC
Tungsten	5 A	—	12-120 VAC
Pilot Duty	470 VA	275 VA	120-240 VAC
Motor	1 HP	¼ HP	120 VAC
Motor	2 HP	½ HP	240 VAC



Ratings	
Cycle	50/60 Hz
Wiring Terminals	#20 to #6 AWG wire
MIN ON/OFF Times	1 second
MAX ON/OFF Times	365 days
Operating Temperature	-40° F to 104° F (-40° C to 40° C)
Warranty	3-year limited

Selection Guide

Scan the QR code with your smartphone or tablet for a side-by-side comparison of our electronic control features.



Model #	Circuits	Enclosure	Ethernet
ET90115C	1	Type 1 Metal	Optional
ET90115CE	1	Type 1 Metal	Included
ET90115CR	1	Type 3R Metal	Optional
ET90115CRE	1	Type 3R Metal	Included
ET90115M*	1	—	Optional
ET90215C	2	Type 1 Metal	Optional
ET90215CE	2	Type 1 Metal	Included
ET90215CR	2	Type 3R Metal	Optional
ET90215CRE	2	Type 3R Metal	Included
ET90215M*	2	—	Optional
ET90415CR	4	Type 3R Metal	Included
ET90815CR	8	Type 3R Metal	Included
ET91215CR	12	Type 3R Metal	Included
ET91615CR	16	Type 3R Metal	Included

*Replacements for 1 & 2 circuits only.

Note: The electronic mechanism snaps into the standard Intermatic enclosure for easy upgrading of mechanical mechanisms, if desired.

Accessories

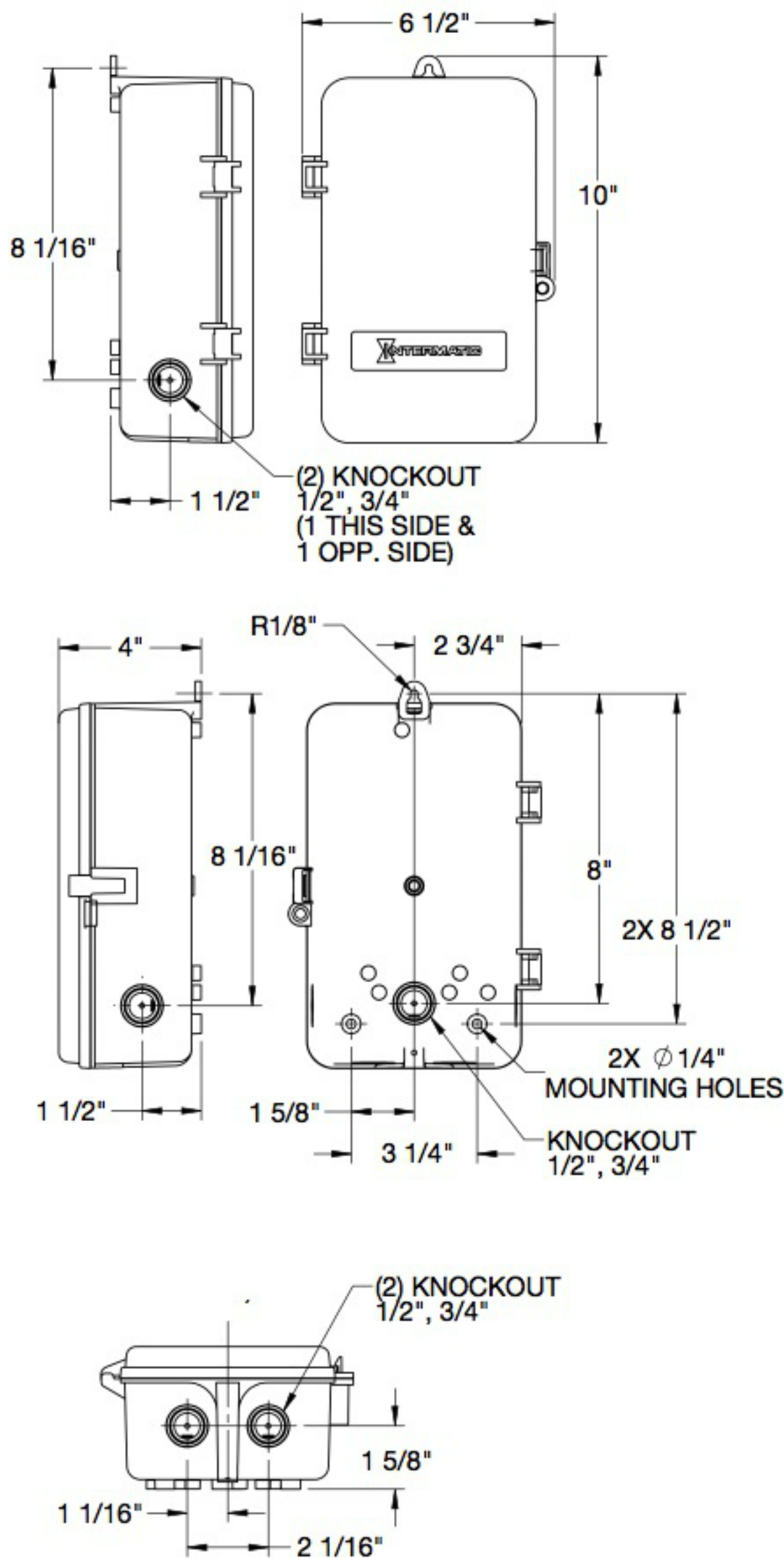
Door Assembly	ET9100
Ethernet Module	ET9232
Relay Module	ET9250



ET8215B

Dimensions

Type 3R Plastic



ET8215B

7-Day Astronomic Cellular Electronic Control

The ET8215B Cellular Electronic Control provides customized, real-time notifications, allows users to take control of their locations from anywhere, and handles a variety of different load types. Scheduling can also be configured from remote locations through an easy-to-use Web-based portal. The only tool needed for creating or modifying the schedule is a device with access to the Internet.

Applications

- Sign lighting • Safety lighting • Pumps • Electric motors
- Billboard lighting • Exterior lighting • Other critical loads

Features

- Load monitoring
- Automatic input voltage selection from 120 to 277 VAC, 50/60 Hz
- Configurable outputs
- Cellular connectivity to ensure proper notifications get sent
- 100-hour supercapacitor eliminates batteries
- Automatic circuit recovery
- Finger-safe terminals
- USB port to easily save and transfer schedules

Model #	Circuits	Enclosure	Switch Configuration
ET8215B	2	Type 3R Plastic	Optional



Ratings	
Input Voltage	120-277 VAC, 50/60 Hz
Switch Type	2x SPST
Resistive	20 A, 28 VDC; 30 A, 120/240 VAC, 50/60 Hz
Inductive	30 A, 120/240 VAC, 50/60 Hz
Magnetic Ballast	20 A, 120-277 VAC, 50/60 Hz
Electronic Ballast	4.5 A, 120-277 VAC, 50/60 Hz
Tungsten	5A, 120/240 VAC, 50/60 Hz
Motor	1 HP, 120 VAC, 50/60 Hz 2 HP, 240 VAC, 50/60 Hz
Operating Temperature	-40° F to 104° F (-40° C to 40° C)
Wiring Terminals	#14 to #8 AWG
MIN ON/OFF Times	1 minute
MAX ON/OFF Times	Indefinite
Enclosure Dimensions H x W x D	10" x 6 1/2" x 4" (254 mm x 165.1 mm x 101.6 mm)
Knockouts Dimensions	
Side/Back	(1) 1/2" and 3/4" combination
Bottom	(2) 1/2" and 3/4" combination
Warranty	1-year limited