



20A 3ØY  
120/208V AC  
NEMA L21-20R  
UL/CSA  
2 HP



20A 3ØY  
277/480V AC  
NEMA L22-20R  
UL/CSA  
5 HP



20A 3ØY  
347/600V AC  
NEMA L23-20R  
UL/CSA

## Connector Bodies

### Watertight Safety-Shroud®

IP66 SUITABILITY    UL Type 4x, 12

Description	Cord Dia.	Catalog Number		
Black Valox® housing, white Valox® clamps.	.350"-1.150" (9-29)	<b>HBL2513SW</b>	-	-



**HBL2513SW**

### Insulgrip®

IP20 SUITABILITY

Description	Cord Dia.	Catalog Number			
Black and white nylon.	.350"-1.150" (9-29)	<b>HBL2513</b>	<b>HBL2523</b>	<b>HBL2533</b>	
All black nylon.	.350"-1.150" (9-29)	<b>HBL2513BK</b>	-	-	
Corrosion resistant, yellow nylon.	.350"-1.150" (9-29)	<b>HBL25CM13</b>	-	-	
Black and white for flat cable.	.350"-1.150" (9-29)	<b>HBL2513FC</b>	-	-	



**HBL2513**

Note: See page B-53 for accessories.

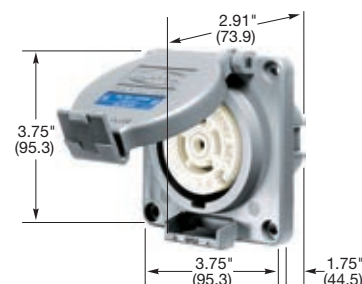
## Receptacles

### Watertight Safety-Shroud®

IP66 SUITABILITY    UL Type 4x, 12

Description	Catalog Number		
Gray Valox® housing and flange, back wired.	<b>HBL2510SW</b>	-	-

Note: See page B-54 for accessories.



**HBL2510SW**

### Safety-Shroud® Twist-Lock®

IP20 SUITABILITY

Description	Catalog Number		
Gray Valox® angle housing, one gang, back wired.	<b>HBL2510AR</b>	-	-
Gray Valox® surface mounting, one gang, back wired.	<b>HBL2510SR</b>	-	-
Gray Valox® semi-flush, two gang, back wired.	<b>HBL2510SR2</b>	-	-

Note: See page B-54 for accessories.



**HBL2510AR**

### Single Flush Receptacles

IP20 SUITABILITY

Description	Catalog Number			
Black nylon face, back and side wired.	<b>HBL2510</b>	<b>HBL2520*</b>	<b>HBL2530*</b>	
Isolated ground, orange nylon face, back and side wired.	<b>IG2510</b>	-	-	

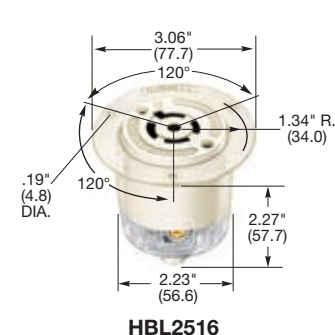
Note: \*Not Fed Spec.

See page B-52 for accessories.

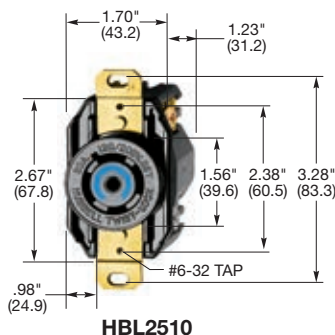
### Insulgrip® Flanged Receptacles

Description	Catalog Number			
Nylon casing, back wired.	<b>HBL2516</b>	<b>HBL2526</b>	<b>HBL2536</b>	

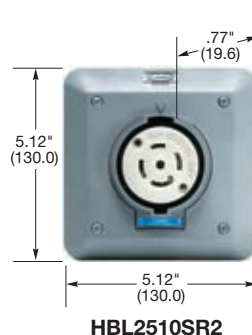
Note: See page B-52 for accessories.



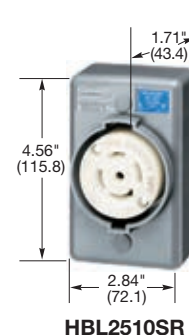
**HBL2516**



**HBL2510**



**HBL2510SR2**



**HBL2510SR**

Valox® is a trademark of SABIC Innovative Plastics, acquired from General Electric Company.

Dimensions in Inches (mm)