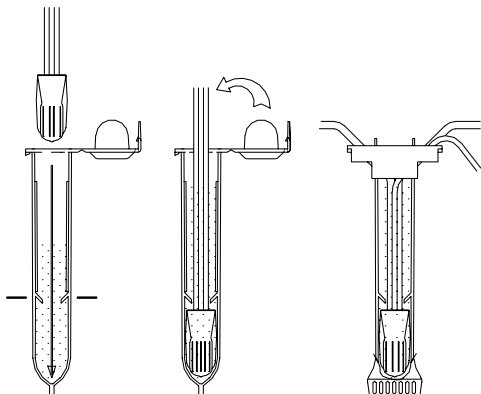


Low Voltage Splices 0-600V

DBR and DBY Series

3M™ Direct Bury Products

These 3M underground electrical wire connectors splice and effectively moisture-seal two or more conductors for remote-control circuits in irrigation and landscape lighting systems. **DBY-6 and DBR-6 are UL Listed and CSA Certified for 600V direct bury and submersion applications. UL File No. E102356 and CSA File No. LR91920. Each kit makes two splices.**



3M™ Direct Bury Splice Kit

109

Specification Information for 3M Direct Bury Products

Product Number	Description and Kit Contents	Wire Range (AWG)	Volts	Temperature Range	UL File No. E102356 and CSA File No. LR91920
DBR	(2) Tubes (2) 3M Scotchlok™ R Connectors	5#16 thru 3#10 (5,0 thru 16,0 mm ²)	30	32° - 120°F (0° - 49°C)	N/A
DBR-6	(2) Tubes (2) Scotchlok R Connectors	5#16 thru 3#10 (5,0 thru 16,0 mm ²)	600	32° - 120°F (0° - 49°C)	CE UL SF
DBY	(2) Tubes (2) Scotchlok Y Connectors	2 - 5#18 thru 2#12 (2,0 thru 7,5 mm ²)	30	32° - 120°F (0° - 49°C)	N/A
DBY-6	(2) Tubes (2) Scotchlok Y Connectors	2 - 5#18 thru 2#12 (2,0 thru 7,5 mm ²)	600	32° - 120°F (0° - 49°C)	CE UL SF
3570-G	Connector sealing pack containing 3M Scotchcast™ epoxy resin	Accommodates 3M O/B+, R/Y+, Scotchlok Y, R, G, B and 3M 212, 312, 512	600	32° - 220°F (0° - 105°C)	N/A

3M Low Voltage Splices DBR and DBY Selection

Product Number	UPC (054007-)	Inner Unit Pack	Case Qty.
DBR	09964 49696	Kit- 2 Tubes and 2 Scotchlok R Connectors 100 tubes and 100 connectors	25 kits 100 each
DBR-6	69756 49697	Kit- 2 Tubes and 2 Scotchlok R Connectors 100 tubes and 100 connectors	25 kits 100 each
DBY	09053 49698	Kit- 2 Tubes and 2 Scotchlok Y Connectors 100 tubes and 100 connectors	25 kits 100 each
DBY-6	69757 49699	Kit- 2 Tubes and 2 Scotchlok Y Connectors 100 tubes and 100 connectors	25 kits 100 each
3570-G	53241*	10/box	100 each

*UPC Prefix 051128