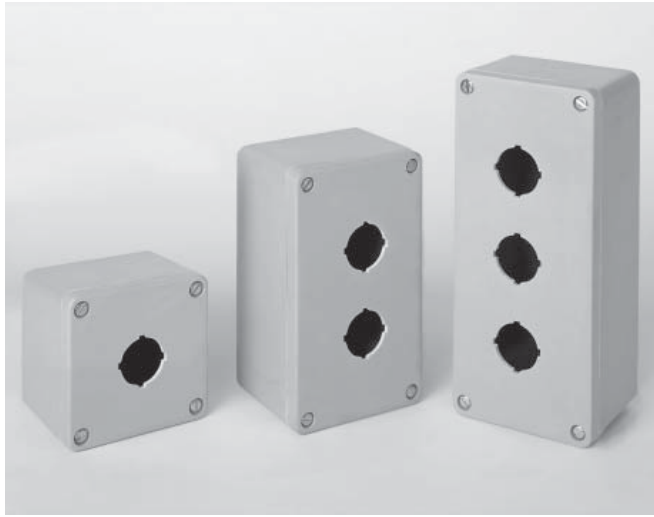


Polycarbonate Modular Enclosures - NEMA 4, 4X

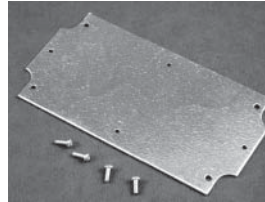
1554 Series - Pushbutton Lift-Off Cover Enclosures, 22 mm and 30.5 mm

Operator Interface Enclosure



Feet Kit

**Panel
Sold
Separately**



Optional Inner Panel

Standards

- cULus Type 4, 4X
- **Complies with**
 - NEMA 4, 4X, 12 and 13
 - IEC 60529, IP66
- Appropriate components are required to maintain these standards.

Construction

- Electronic instrument enclosures, designed for mounting printed circuit boards or DIN rail mounted components.
- The polycarbonate material carries a UL flammability rating of UL94 5V and is suitable for outdoor use.
- Lid and mounting holes are located outside of the gasket seal.
- Lid is secured with self capturing M4 stainless steel machine screws (included), threaded into integral stainless steel bushings (for repetitive assembly & disassembly).
- Heavy duty 16 gauge galvanized steel panels available (see chart)
- All stainless steel hardware to avoid corrosion caused by dissimilar metals.
- Gasket is factory poured using high temperature U.L. listed - silicone rubber gasket material.
- Gasketed lid with two piece "tongue & groove" construction provides protection against access of oil, dust and water.
- Internal DIN rail mounting tabs.
- Threaded (M3) integral brass inserts & standoffs designed for M3.5 or #6 self tapping screws for P.C. board or inner panel mounting in all but the smallest size.
- Vertical P.C. card guides (for 1.5 mm thick P.C. boards) are molded in all but the smallest size

Finish

- Color is light gray (RAL 7035)

Optional Inner Panel

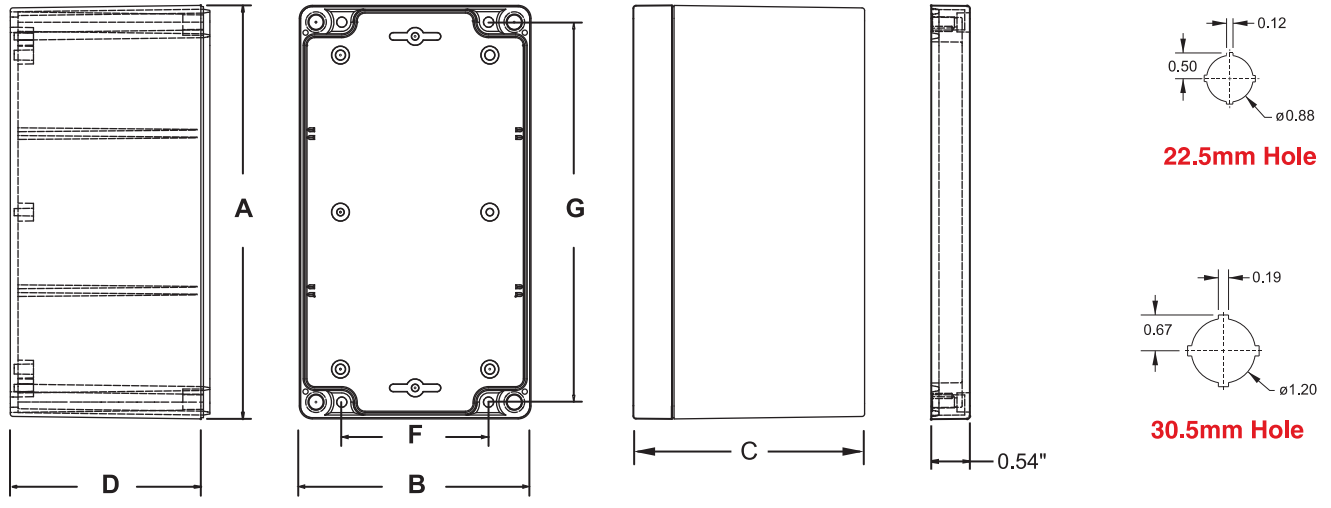
- Heavy duty panels for mounting components...*see next page*
- Galvanized 16 ga. steel.
- Includes mounting hardware.

Pushbutton Enclosures

Polycarbonate Modular Enclosures - NEMA 4, 4X

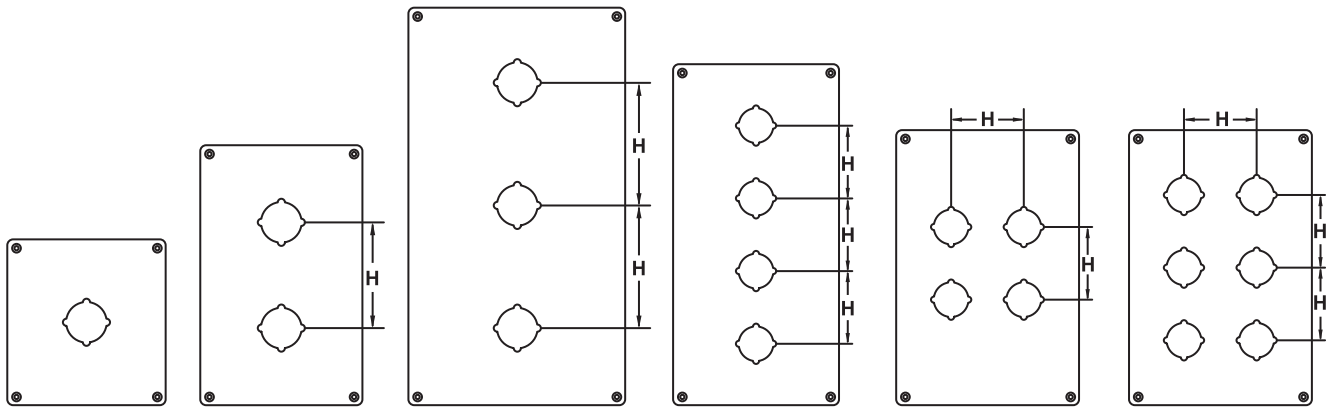
1554 Series - Pushbutton Lift-Off Cover Enclosures, 22 mm and 30.5 mm

Operator Interface Enclosure



Body View

Lid View



PB1 & MPB1 PB2 & MPB2 PB2 & MPB2 MPB4 PB4 PB6 & MPB6

Pushbutton Enclosures

Part No.		# of Holes	Units	Overall Depth							22 mm	30.5 mm	Optional Inner Panel Part No.	Units	Dimensions	
22 mm	30.5 mm			A	B	C	D	F	G	H	H	Length			Width	
1554MPB1	1554PB1	1	inch mm	3.5 90	3.5 90	2.4 60	1.77 45	2.24 57	2.24 57	Center Center	Center Center	1554EPL	inch mm	3.1 79	3.1 79	
1554MPB2	1554PB2	2	inch mm	6.3 160	3.5 90	2.4 60	1.77 45	2.24 57	5.79 147	1.89 48	2.52 64	1554JPL	inch mm	5.8 147	3 76	
1554MPB3	1554PB3	3	inch mm	7.9 200	4.7 120	3.5 90	2.95 75	3.43 87	7.37 187	1.89 48	2.52 64	1554UPL	inch mm	7.6 193	4.2 107	
1554MPB4	1554PB4	4	inch mm	7.9 200	4.7 120	3.5 90	2.95 75	3.43 87	7.37 187	1.89 48	2.52 64	1554UPL	inch mm	7.6 193	4.2 107	
1554MPB6	1554PB6	6	inch mm	9.5 240	6.3 160	3.5 90	2.95 75	5 127	8.93 227	1.89 48	2.52 64	1554VPL	inch mm	9.1 231	5.7 145	

Technical references and CAD downloads available at www.hammondmfg.com All dimensions in inches unless specified otherwise

Quality Products. Service Excellence.