

WEATHERPROOF BOXES & COVERS

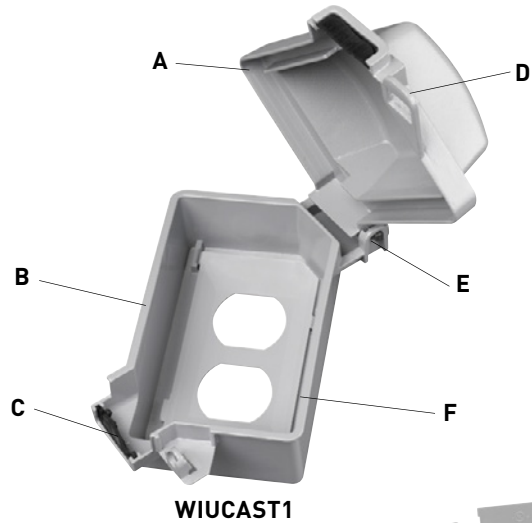
Cast Weatherproof Covers

WIUCAST1

Cast Weatherproof Cover

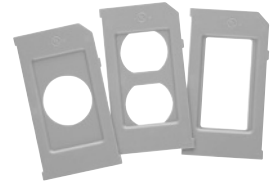
- A. Self-closing lids** as required by UL514C42.3.
 - B. Heavy-duty die-cast aluminum.**
 - C. Exclusive cord flap gasket** inhibits water splash from driving rain or sprinklers.
 - D. Lockable cover** accepts a standard sized padlock.
 - E. Patented corner hinge** and cord opening allow vertical or horizontal installation.
 - F. Preapplied gasket** easier to install, saves time, won't get lost or damaged.
- Meets NEC® Section 406.9(B)(1)** suitable for Extra Duty wet locations.

All components baked-on electrostatic, polyester, powder paint coated prior to assembly for superior corrosion resistance.



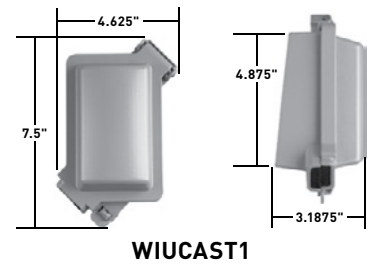
WIUCAST1

Zinc-plated screws, and three metal mounting plates are supplied.



CATALOG NUMBER	COLOR	DEVICE PLATES PROVIDED	PACKAGE QUANTITY	3RD PARTY COMPLIANCE
				cUL US
SINGLE GANG				
WIUCAST1*	Gray		12	•
TWO GANG				
WIUCAST2	Gray		10	•

*WIUCAST1 accepts WIU10PK inserts (see Page 0-3).



WIUCAST1