

PUSHBUTTON HOLE PLUGS

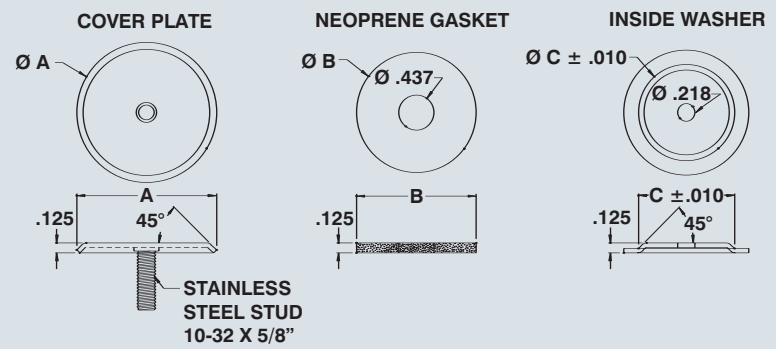
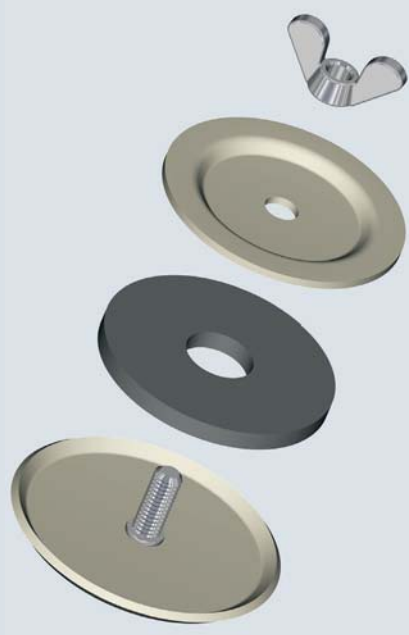
Metal pushbutton hole plugs

Visit www.eurobex.com for details.

Call us toll free 1-800-363-2423

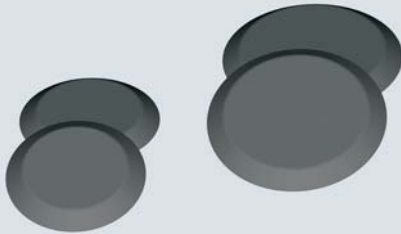
The 880 HP pushbutton hole plugs are made to cover the unused holes on the pushbutton enclosures. Plugs are available for several hole sizes in galvanized steel or stainless steel and come complete with a dust tight oil resistant gasket and installation hardware.

CATALOG NUMBER		SPECIFICATIONS			
GALVANIZED	STAINLESS	HOLE PLUG	A	B	C
880 HP1	880 HP1SS	22.5mm pushbutton	1.218	0.968	0.875
880 HP0500	880 HP0500SS	1/2" conduit hole	1.375	1.125	0.875
880 HP0750	880 HP0750SS	3/4" conduit hole	1.562	1.312	1.062
880 HP2	880 HP2SS	30.5mm pushbutton	1.750	1.500	1.203
880 HP1000	880 HP1000SS	1" conduit hole	1.875	1.625	1.344
880 HP1250	880 HP1250SS	1 1/4" conduit hole	2.187	1.937	1.687
880 HP1500	880 HP1500SS	1 1/2" conduit hole	2.500	2.250	1.968
880 HP2000	880 HP2000SS	2" conduit hole	3.000	2.750	2.468
880 HP2500	---	2 1/2" conduit hole	3.500	3.250	3.000
880 HP3000	---	3" conduit hole	4.125	3.875	3.625
880 HP3500	---	3 1/2" conduit hole	4.625	4.375	4.125
880 HP4000	---	4" conduit hole	5.125	4.875	4.625



Plastic plug buttons

The 880 HPPL plastic plug buttons are made to cover the unused pushbutton holes on the pushbutton enclosures. Hole plugs are available for standard or miniature holes in black plastic.



CATALOG NUMBER	SPECIFICATION	SHIP WGT LBS.
880 HP1PL	22.5mm pushbutton	1
880 HP2PL	30.5mm pushbutton	1

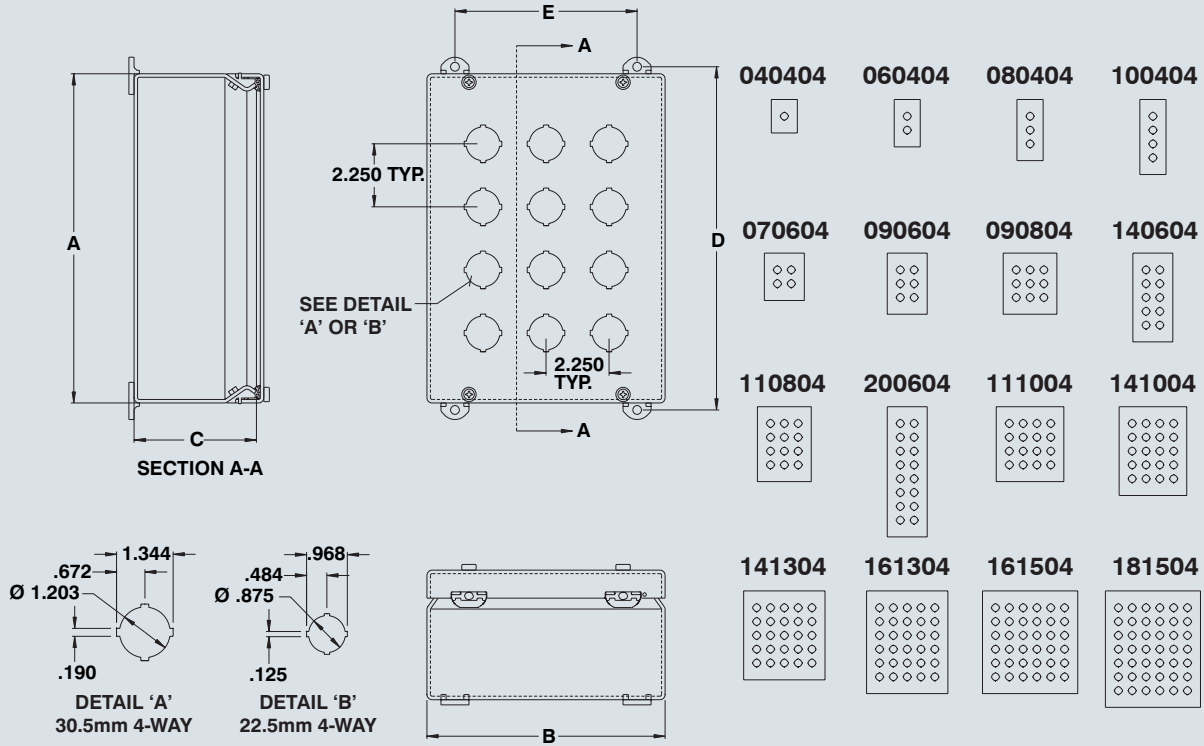
Data subject to change without notice.

NEMA 12-13 PUSHBUTTONS

1500 ED



Oil & dust tight extra deep pushbutton enclosures



Quick Features :

- Drip shield
- Superior bending
- Seamless welding
- Poured gasket
- Flexible mounting
- Powder coated



Visit www.eurobex.com for details.

Call us toll free 1-800-363-2423

CATALOG NUMBER	QTY. HOLES	DIMENSIONS					SHIP WGHT LBS.
		A	B	C	D	E	
1500 ED040404	1	4.500	4.250	4.750	5.000	2.875	3
1500 ED060404	2	6.500	4.250	4.750	7.000	2.875	4
1500 ED080404	3	8.500	4.250	4.750	9.000	2.875	5
1500 ED100404	4	10.500	4.250	4.750	11.000	2.875	6
1500 ED070604	4	7.750	6.500	4.750	8.250	5.125	5
1500 ED090604	6	10.000	6.500	4.750	10.500	5.125	6
1500 ED090804	9	10.000	8.750	4.750	10.500	7.375	7
1500 ED140604	10	14.500	6.500	4.750	15.000	5.125	9
1500 ED110804	12	12.250	8.750	4.750	12.750	7.375	9
1500 ED200604	16	21.250	6.500	4.750	21.750	5.125	10
1500 ED111004	16	12.250	11.000	4.750	12.750	9.625	10
1500 ED141004	20	14.500	11.000	4.750	15.000	9.625	13
1500 ED141304	25	14.500	13.250	4.750	15.000	11.875	14
1500 ED161304	30	16.750	13.250	4.750	17.250	11.875	15
1500 ED161504	36	16.750	15.500	4.750	17.250	14.125	16
1500 ED181504	42	18.750	15.500	4.750	19.250	14.125	18



Notes :
 - Enclosures are also available with blank covers, add suffix 'C' to the catalog number (i.e. 1500 EDC080404)
 - Enclosures are also available with 22.5mm pushbutton holes, add suffix 'MN' to the catalog number (i.e. 1500 ED080404MN).

Suggested Accessories



p.318

p.318

p.368

Data subject to change without notice.