

# ELECTRICAL ACCESSORIES

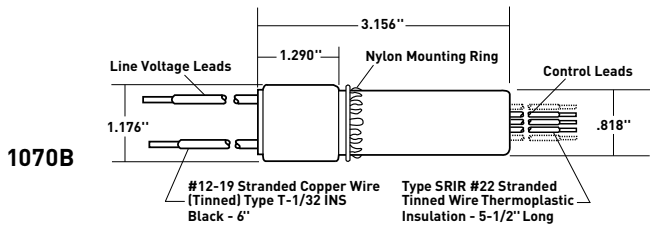
## Low-Voltage Switching Components

### Features

- Mount in standard 1/2" KO through noise suppressing nylon ring.
- Maximum ambient temp: 140°F (60°C).
- Insulated flame retardant nylon shell.
- Prestripped 5-1/2" (140mm) #22 AWG leads for easy wiring.
- Split coil design energizes ON coil to close line contacts, and OFF coil to open contacts.
- Can be mounted in any position.
- Operates on momentary impulse.
- Draws .520 mA.

CATALOG NUMBER	RATING		3RD PARTY COMPLIANCE	
	A.	V.	UL Listed	CSA Listed
<b>MAGNETIC LATCHING RELAY, 24V/24VDC CONTROL</b>				
<b>1070B</b>	20	120/277V	•	•
	20	347V		

CSA listed for 347V.

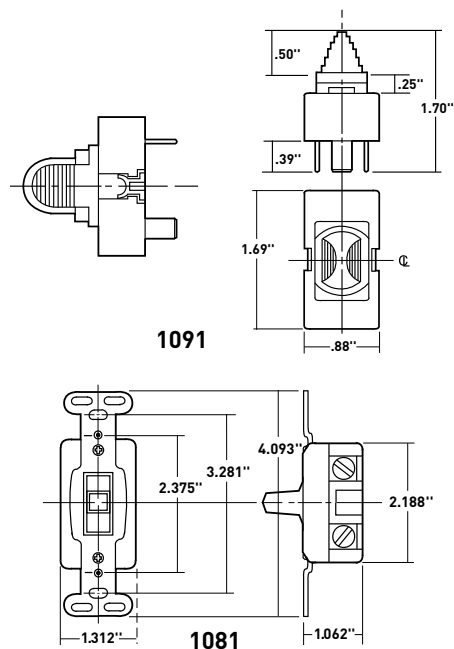


### Features

- Available in Despard® interchangeable and heavy-duty toggle versions.
- Side wired screw terminals.
- Heavy-duty toggles recommended where low-voltage switches must match conventional switches.

CATALOG NUMBER	COLOR	RATING		DESCRIPTION
		A.	V.	
<b>MOMENTARY CONTACT SWITCHES</b>				
<b>1091I</b>	Ivory	3	24 AC/DC	Despard Interchangeable
<b>1091W</b>	White	3	24 AC/DC	Despard Interchangeable
<b>1091</b>	Brown	3	24 AC/DC	Despard Interchangeable
<b>1091GRY</b>	Gray	3	24 AC/DC	Despard Interchangeable
<b>1091KGRY</b>	Gray	3	24 AC/DC	Despard Interchangeable, Key-Locking
<b>1050K</b>				Key only for Despard Locking Switch
<b>1081I</b>	Ivory	3	24 AC/DC	Heavy-Duty Toggle
<b>1081W</b>	White	3	24 AC/DC	Heavy-Duty Toggle
<b>1081</b>	Brown	3	24 AC/DC	Heavy-Duty Toggle
<b>1081GRY</b>	Gray	3	24 AC/DC	Heavy-Duty Toggle
<b>1081LA</b>	Light Almond	3	24 AC/DC	Heavy-Duty Toggle
<b>1081RED</b>	Red	3	24 AC/DC	Heavy-Duty Toggle
<b>1081KGRY</b>	Gray	3	24 AC/DC	Heavy-Duty Key-Locking
<b>500K</b>				Key only for Heavy-Duty Locking Switch

Note: When installing low-voltage control wiring, wires should not be bundled or run in parallel with line voltage wires.



ELECTRICAL ACCESSORIES