



- Help prevent moisture, dust and other contaminants from infiltrating plugs and connectors
- Chemical/UV-resistant construction
- Available in high visibility yellow or standard black
- Ribbed exterior provides firm grip
- Sealing ring seals connector when not mated
- For use with Bryant Triple Gripper® 20 and 30 amp nylon plugs and connectors

WEATHER PROTECTIVE BOOTS



Description	Catalog Number
Black neoprene boot for use with 20 and 30 amp nylon locking plugs	72002BPB
Yellow neoprene boot for use with 20 and 30 amp nylon locking plugs	72002BP
Black neoprene boot for use with 20 and 30 amp nylon locking connectors	72002BCB
Yellow neoprene boot for use with 20 and 30 amp nylon locking connectors	72002BC
Black neoprene sealing cap seals connector	72002BSRB
Yellow neoprene sealing cap seals connector	72002BSR
Black elastomer weather protective boot for 50 amp plugs when used in a cord set and connectors when used with flanged inlets	7716B
Black elastomer weather protective boot for 50 amp connectors when used in a cord set	7717B

Locking Devices

50 Amp 125V, 250V and 480V AC; 2-Pole 3-Wire Grounding



CS8269A



CS8265



CS8264



CS8275A



7774CR

SINGLE RECEPTACLES



50A 125V
2P 3W
Grounding



50A 250V
2P 3W
Grounding



50A 480V AC
2P 3W
Grounding

Description	Catalog Number		
Receptacle armored; grounded	CS6370A	CS8269A	CS8469A

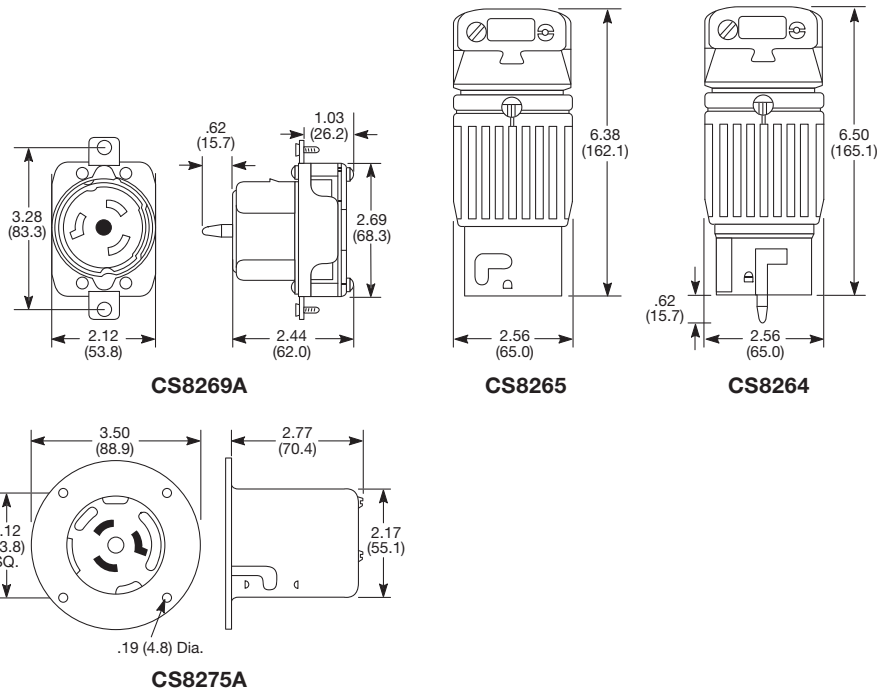
PLUGS AND CONNECTORS Inches (mm)

Description	Cord Diameter	Catalog Number		
Nylon plug; heavy-duty	.830-1.250 (21.1-31.8)	CS6361	CS8265	CS8465
Nylon connector; heavy-duty	.830-1.250 (21.1-31.8)	CS6360	CS8264	CS8464

FLANGED DEVICES

Description	Catalog Number		
Male base; steel casing	CS6377A	CS8275A	CS8475A

PRODUCT DIMENSIONS Inches (mm)



ACCESSORIES

Description	Stainless Steel Wallplate	Aluminum Plate		Weather Protective Plate	Weather Protective Boot	
		Cover	No Cover		For use with Cordsets	For use with Flanged Inlets
Single receptacle	SS750	7382	7383	7774CR	—	—
Plug	—	—	—	—	7716B*	—
Connector	—	—	—	—	7717B*	7716B*

Note: See section O for additional information on wallplates.

*Boots are not UL Listed or CSA Certified. See page H-35 for additional information on boots.