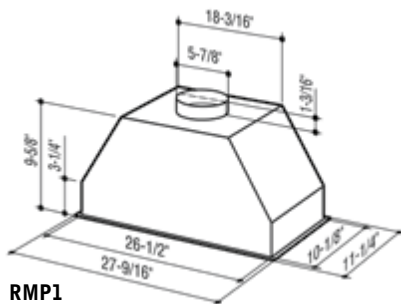
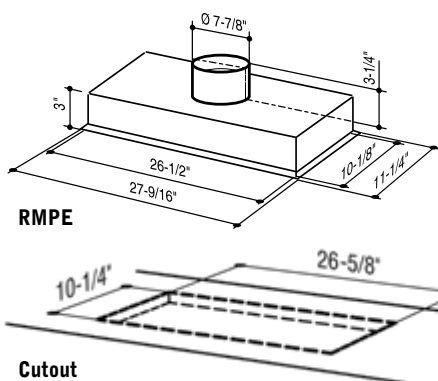


- Multi-speed control.
- Heat Sentry™ detects excessive heat and adjusts blower speed to high automatically.
- 400 CFM internal blower (<300 CFM with ARP6).
- External blower model (RMPE) allows a choice of eight blower options: four Exterior: 600, 900, 1200 or 1500 CFM, or four In-Line: 280, 600, 800 or 1100 CFM.
- Two 50-watt halogen lamps included.
- Dishwasher-safe aluminum filters feature a quick-release latch and professional-style appearance.
- Optional non-ducted filters (FILTEREB40) for indoor exhaust recirculation, some ductwork required (RMP17004 only).
- Install power pack so that the bottom of the unit is 24" to 30" above the cooking surface.
- Optional custom hood liners in 30", 36" and 48" widths.

Range Hood Specifications

WIDTH	STAINLESS STEEL	BLOWER*	VOLTS	AMPS	CFM	SONES	DUCT	Optional Accessories	
								FILTER	MAKE-UP AIR DAMPER
70cm	RMP17004*	Internal	120	3.5	400*	9.0	6" RD	FILTEREB40	MD6TU, MD8TU
70cm	RMPE7004	External†	120	—	†	—	8" RD	—	MD6TU, MD8TU

† External blowers sold separately.
 * All blowers are HVI Certified.
 † Some ductwork required for RMP1 non-ducted installations.
 † 299 CFM max with ARP6 reducer plate option.



3-STEP POWER PACK AND BLOWER SELECTION GUIDE

1. Select a Power Pack system

- RMP17004, 400+ CFM Internal blower
- 27¹/₁₆" width, 11³/₄" depth
- RMPE7004, 280–1500 CFM External blower options
- 27¹/₁₆" width, 11³/₄" depth

2. Select a Liner to fit your cabinetry

- If the cabinet/hood inside depth is 18"–21", choose model:
- RML7030S for 30" width
 - RML7036S for 36" width
 - RML7048S for 48" width
- If the cabinet/hood inside depth is 21"–24", choose model:
- RML7030L for 30" width
 - RML7036L for 36" width
 - RML7048L for 48" width

3. Select an Internal or External Blower

- RMP17004, Internal 400 CFM blower is included
- RMPE7004, External blower options (choose one):
- Exterior blowers (outside, roof or wall):

- 331H (600 CFM)*
- 332H (900 CFM)*
- 335 (1200 CFM)*
- 336 (1500 CFM)*

In-Line blowers (inside, attic or other space):

- HLB3 (280 CFM)*v
- HLB6 (600 CFM)*
- HLB9 (800 CFM)*
- HLB11 (1100 CFM)*

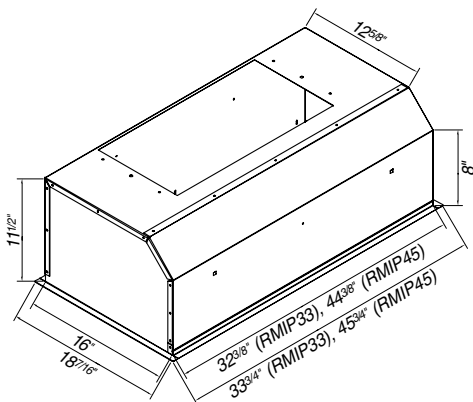
* 8"–10" transition (model 414) is required for the Exterior or In-Line models.

- Brushed stainless steel finish.
- Design allows use with custom liners or Broan Elite Pro-Style Insert liners (sold separately).
- Pro-Style Insert available in 33" and 45" widths.
- Variable speed control for quiet operation.
- Optional remote wall control available.
- Heat Sentry™ detects excessive heat and adjusts blower speed to high automatically.
- Dishwasher-safe stainless steel/aluminum filters, or optional baffle filters.
- Bright halogen lighting, two 50-watt lamps (RMIP33) or three 50-watt lamps (RMIP45), bulbs not included.
- Choose 460 (<300 CFM with ARP310) or 850 CFM Internal, or choice of eight External blower options: four Exterior: 600, 900, 1200 or 1500 CFM, or four In-Line: 280, 600, 800 or 1100 CFM. All blowers sold separately.
- Optional liners in 36", 42", 48" and 60" widths protect custom hoods.

Range Hood Specifications

MODEL	WIDTH	BLOWER*	CFM*	SONES	FINISH	Optional Accessories	
						BAFFLE FILTER KIT	MAKE-UP AIR DAMPER
RMIP33	33 ³ / ₄ "	Internal	460* (P5), 850 (P8)	10.5	430 Brushed Stainless	RBFIP33	MD6TU, MD8TU
		External	*	430 Brushed Stainless	MD6TU, MD8TU		
RMIP45	45 ³ / ₄ "	Internal	460* (P5), 850 (P8)	10.5	430 Brushed Stainless	RBFIP45	MD6TU, MD8TU
		External	*	430 Brushed Stainless	MD6TU, MD8TU		

* All blowers must be purchased separately and are HVI Certified. See blower specifications table on page 43.
 † All ratings for vertical duct only.
 † 299 CFM max with ARP310 reducer plate option.



RMIPWC Optional Wall Control for RMIP

Remote wall control provides both variable speed and light control from a more convenient location. Designed to work with the RMIP Pro-Style Insert only.



3-STEP INSERT & BLOWER SELECTION GUIDE

1. Select the right size Pro-Style Insert

- RMIP33 (33" width) or RMIP45 (45" width)
- Both feature an 18⁷/₁₆" depth
- 460+ or 850 CFM Internal blower options
- 280–1500 CFM External blower options

2. Select a Liner to fit your cabinetry

- For cabinet/hood inside depths of 23"–26" choose:
- RML3336S 36" width, use with RMIP33
 - RML3342S 42" width, use with RMIP33
 - RML4548S 48" width, use with RMIP45
 - RML4554S 54" width, use with RMIP45
 - RML4560S 60" width, use with RMIP45

3. Select a blower for your Insert

Internal blowers:

- P5 (460 CFM)
- P8 (850 CFM)

Exterior blowers (outside, roof or wall):

- 331H (600 CFM)*
- 332H (900 CFM)*
- 335 (1200 CFM)*
- 336 (1500 CFM)*

In-Line blowers (inside, attic or other space):

- HLB3 (280 CFM)*
- HLB6 (600 CFM)*
- HLB9 (800 CFM)*
- HLB11 (1100 CFM)*

* 332KR Rough-In Kit is required when used with Exterior and In-Line blower options above (purchased separately).

External, Exterior Blowers*

Our Exterior blowers offer you powerful ventilation performance at its very quietest, and something you won't find anywhere else—Broan quality.

- Reduce kitchen noise by locating your range hood blower outdoors.
- For use with our professional style Broan Elite E64000, E60000 and EX Series chimney hoods, downdrafts, RMPE Power Pack and RMIP Inserts.
- Ideal for custom hoods—use the 72W (6 amp variable speed) wall control for remote control of External blowers.
- The 332H is recommended for the Eclipse downdraft.
- Residential design fits unobtrusively on home exterior.
- Durable, weather-resistant, all-aluminum construction that mounts on the roof or outside wall.
- Safety screen keeps small animals and debris away from blower and motor.

Model 331H/332H

All Exterior blowers can be installed on the roof or to an outside wall for the ultimate in quiet, high performance kitchen ventilation.

Quietest sound level is achieved when the blower is mounted at least 10' from the hood location and incorporates a 90° elbow in the duct run.



331H (600 CFM)



335 (1200 CFM)



332H (900 CFM)



336 (1500 CFM)

External, In-Line Blowers* This quiet performance solution is a perfect alternative to Internal or Exterior blowers. Works with all Broan range hoods designed for use with External blowers.



HLB3 (280 CFM)
HLB6 (600 CFM)
HLB9 (800 CFM)
HLB11 (1100 CFM)



- Powerful and quiet, In-Line blowers are available in a range of CFM ratings to match your cooking preferences and ventilation requirements.
- Installs remotely in the interior of the home – not restricted by local exterior home codes or service concerns for roof-mounted exterior applications.
- 8-position mounting brackets, or suspends with special suspension chains (hanger kit included).
- Designed to work independently from Internal or Exterior blowers, this is not a boost blower—the HLB series needs no other blowers in the system.
- Specially designed resilient motor mounts and housing isolation mounts prevent vibration noise.
- Flexible duct design allows straight-through or right-angle connections with built-in damper.
- Includes 10" round ductwork transition(s).

Internal Blower*

Broan Elite Internal blowers provide high ventilation and durable construction to meet the needs of professional-style cooking appliances for the home.

P5 (460 CFM)
P8 (850 CFM)



- The P5 and P8 are designed for use with Broan Elite RMIP Inserts.
- All blowers are designed for quiet operation using the finest motors and balance wheels.
- Rough-In Kits are included to make the installation clean and simple.

*Broan internal and external blowers are designed and UL Listed for use with Broan products only. Use with other manufacturers' products cannot be recommended.

Broan range hoods can be used to comply with California's Title 24.

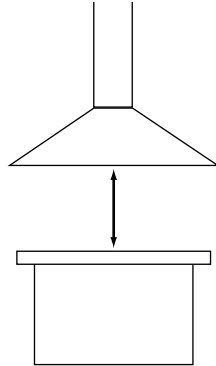
BROAN[®] Elite Installation and blower selection guidelines

1. Distance from cooking surface:

For optimal performance, the distance from the cooking surface to the bottom of the range hood should be between 24" to 30", unless otherwise noted. DO NOT install a Broan Elite range hood less than 24" above cooking surface.

To maintain hood performance at heights greater than the recommended range, use the following guidelines:

- For every 3" increase in installation height, add 100 CFM to the minimum exhaust requirement and/or a minimum of 3" to the hood/liner width (may require going to the next hood width).



2. Range hood width:

The hood should never be less than the width of the cooktop.

3. Required blower CFM based on cooktop BTU output.

- For gas cooktops UNDER 60,000 BTUs or electric, choose a blower with a minimum of 100 CFM per lineal foot of your cooktop width. For example, a 36" wide cooktop requires a blower with a minimum of 300 CFM.
- High heat cooking or aromatic foods may require additional CFM. Always check with the range manufacturer. NOTE: Increasing capture area by 3" on each side is also a recommended way to address this issue.

- As a means to estimate the approximate CFM requirement for gas cooktops OVER 60,000 BTUs, choose a blower with 1 CFM per 100 BTU of cooktop output. To quickly calculate this number, add the BTU output from all burners and drop the last two zeros. For example, if the total BTU output of the cooktop burners is 65,000 BTUs, choose a blower with at least 650 CFM.

4. Additional CFM needs for a Grill or Griddle:

If your cooktop has a grill or griddle, ADD 200 CFM to your estimated CFM needs as calculated in step 3. For example, if your cooktop BTU output requires a 650 CFM blower, add 200 CFM for a total of 850 CFM.

Installation Example:

A consumer purchases a cooktop with these specifications:

- Four burner, 36" cooktop
- Burner output is 60,000 BTU
- The cooktop features a grill
- Installation requirements call for the range hood to be 33" over the range (3" above recommended maximum height)

Blower CFM Option 1: (Using the guidelines above)

The blower must equal a minimum of 600 CFM (60000 BTU) + 200 CFM (for Grill requirement) + 100 CFM (for 3" of installation height) = 900 CFM

Blower CFM Option 2: (Using the guidelines above)

Select a range hood that is a minimum of 3" WIDER than the cooktop, a minimum 600 CFM (60000 BTU) + 200 CFM (for Grill requirement) = 800 CFM

Internal, In-Line and Exterior blower specifications table

MODEL	MOUNTING	CFM	HVI	VOLTS	AMPS	ROUGH-IN DUCT	INLET/OUTLET	DIRECTION	MOTOR TYPE
P5	Internal	460V/500H	Y	120	1.8	3¼" x 10"	—	V or H	—
P8	Internal	850V/900H	Y	120	3.4	3¼" x 14"	—	V or H	—
331H**	Exterior	600	Y	120	2.3	10" Round	—	—	Single-Speed
332H**	Exterior	900	Y	120	5.8	10" Round	—	—	Single-Speed
335**	Exterior	1200	Y	120	3.0	10" Round	—	—	Single-Speed
336**	Exterior	1500	Y	120	3.8	10" Round	—	—	Single-Speed
HLB3**^	In-Line	280/260*	Y	120	2.6	—	8" or 10"/8" Round	V or H	Single-Speed
HLB6**	In-Line	600/600*	Y	120	2.9	—	10"/10" Round	V or H	Single-Speed
HLB9**	In-Line	800/700*	Y	120	3.0	—	10"/10" Round	V or H	Single-Speed
HLB11**	In-Line	1100/1000*	Y	120	5.0	—	10"/10" Round	V or H	Single-Speed

** Model 332KR Rough-In Kit required for installation with hood series E60000, E64000, RM60000 and RMIP (Model 421 10" In-Line damper recommended for Exterior blowers).

* Straight CFM/Right angled CFM (rated with transitions provided).

† Transitions provided with unit.

^ Not recommended for use with grill applications.



Broan Automatic Make-Up Air Dampers work with range hoods to allow the most efficient and effective home ventilation.

Broan Make-Up Air Dampers feature:

- Heavy duty galvanized steel construction.
- 24 VAC transformer.
- 6-inch round (MD6T), 8-inch round (MD8T) to use with hood models E60, E64, EW58, EW56, EI59, QP3, and QP4.
- MD6TU and MD8TU can be used with any Broan range hood over 300 CFM.
- MD6S and MD8S slave damper to gang with any Broan automatic dampers.

Installation of Broan Make-Up Air Dampers

- Located in a 6-inch or 8-inch duct running between an exterior wall fresh air inlet (641FA or 643FA) to an interior location.
- Low-voltage wiring transmits open/close signal to the Make-Up Air Damper.

Synchronized Operation with Range Hood

- Damper opens and closes as the range hood is turned on and off.
- Prevents unwanted air infiltration and wasted energy.

