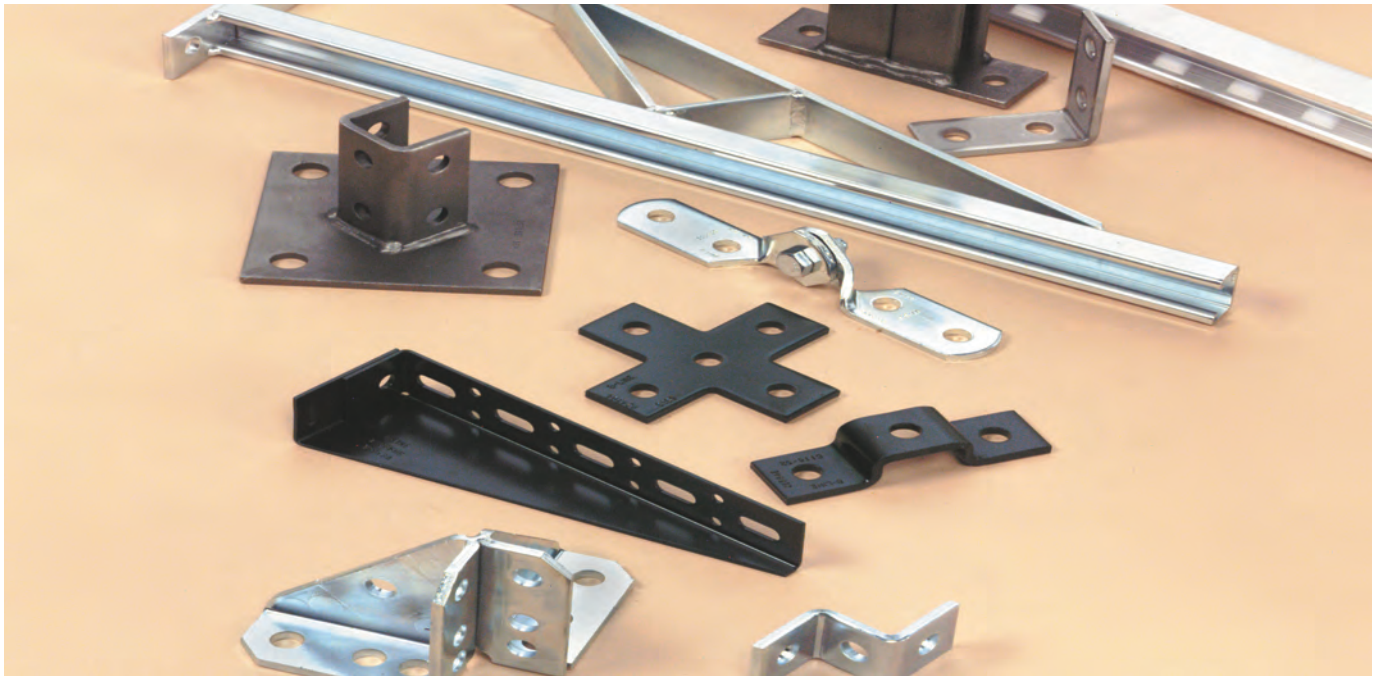


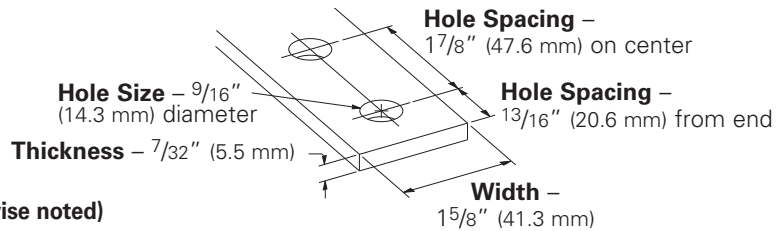
Fittings



This section offers a full selection of fittings and accessories to complete our strut system. Fittings are made from hot rolled, pickled and oiled plate or strip steel in accordance with ASTM A1018 33,000 PSI min. yield, unless noted.

Dimensions

The following dimensions apply to all fittings except as noted:



Materials & Finishes (Unless otherwise noted)

Finish Code	Finish	Specification
PLN	Plain	ASTM A1018 33,000 PSI min. yield
ZN	Electro-Plated Zinc	ASTM B633 SC3 Type III or ASTM A653
GRN	DURA GREEN™	
HDG	Hot-Dipped Galvanized	ASTM A123
SS4	Stainless Steel Type 304	ASTM A240
SS6	Stainless Steel Type 316	ASTM A240
AL	Aluminum	ASTM B209

Note: A minimum order may apply on special material and finishes.

Hardware

Nuts and bolts are not included with the fittings and must be ordered separately, unless noted.

Pre-Assembled Fittings

Some fittings are available with hex head cap screws and channel nuts pre-assembled. These fittings and finishes will be flagged using the following symbol.



PA ^{ZN}
GRN

Metric

Metric dimensions are shown in parentheses. Unless noted, all metric dimensions are in millimeters.

Load Data

The load data published includes safety factor of 2.5 when used with 12 ga. (2.6) channel (safety factor = ratio of ultimate load to the design load).

Use 1/2"-13 x 7/8" hex head cap screws and 1/2"-13 (N225 or TN225) channel nuts for the rated results.

Recommended Bolt Torque

Bolt Size	1/4"-20	5/16"-18	3/8"-16	1/2"-13
Foot/Lbs.	6	11	19	50
Nm	8	15	26	68

See chart on page 113 for setscrew torque.

4Dimension™ Strut System Compatible

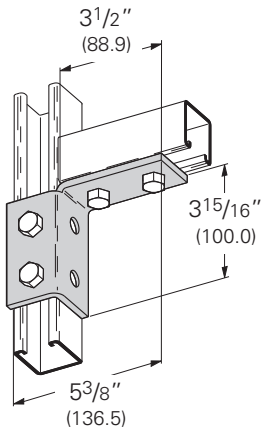
These fittings and finishes will be flagged using the following symbol.



Wing Fittings

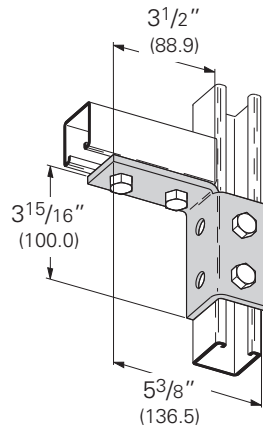
B269R Six Hole Single Corner Connection (Right Hand)

- Standard finishes: ZN, GRN
- Wt./C 120 Lbs. (54.4 kg)



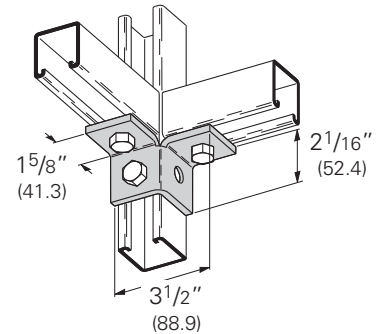
B269L Six Hole Single Corner Connection (Left Hand)

- Standard finishes: ZN, GRN
- Wt./C 120 Lbs. (54.4 kg)



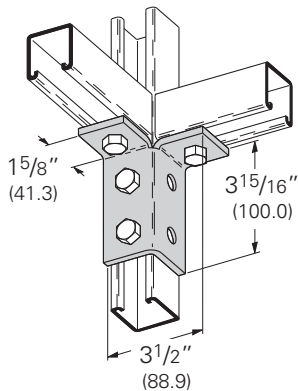
B119 Six Hole Double Corner Connection

- Standard finishes: ZN, GRN
- Wt./C 71 Lbs. (32.2 kg)



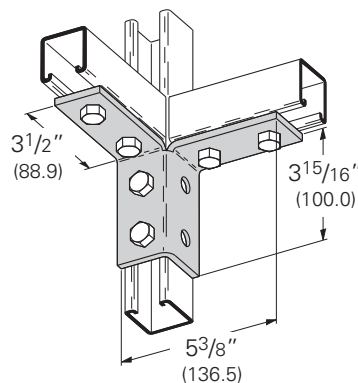
B120 Six Hole Double Corner Connection

- Standard finishes: ZN, GRN
- Wt./C 110 Lbs. (49.9 kg)



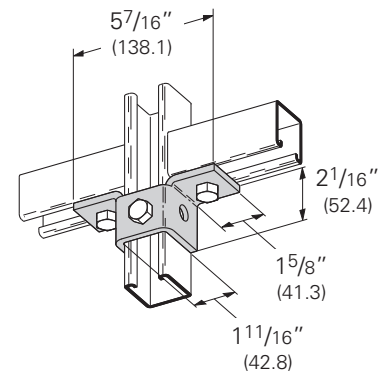
B121 Eight Hole Double Corner Connection

- Standard finishes: ZN, GRN
- Wt./C 152 Lbs. (68.9 kg)



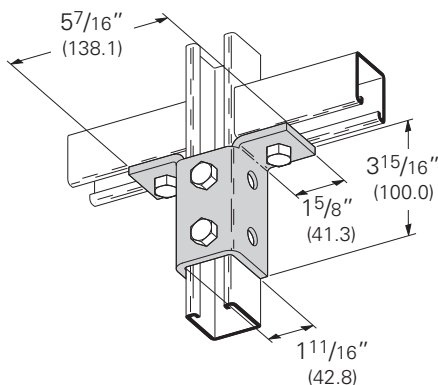
B271 Five Hole Double Wing Connection

- Standard finishes: ZN, GRN
- Wt./C 95 Lbs. (43.1 kg)



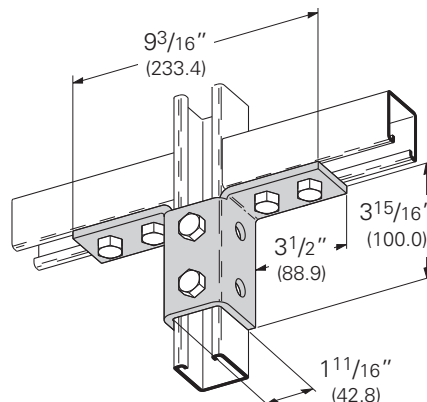
B272 Eight Hole Double Wing Connection

- Standard finishes: ZN, GRN
- Wt./C 156 Lbs. (70.7 kg)



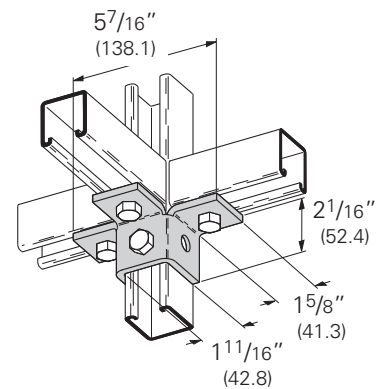
B273 Ten Hole Double Wing Connection

- Standard finishes: ZN, GRN
- Wt./C 185 Lbs. (83.9 kg)



B122 Six Hole Triple Wing Connection

- Standard finishes: ZN, GRN
- Wt./C 110 Lbs. (49.9 kg)



Strut Fittings