

### 1-, 2- and 3-pole, Class CF CUBEFuse™



Amp rating	UL fuse class	No. of poles	Volts	SCCR	Max horsepower rating*				Wire size (see note for torque**)	Wire type	Part number	Agency information
					120 Vac	240 Vac	480 Vac	600 Vac				
30	CF	1	600Vac	200kA	1.5	—	—	—	Single/Dual 18-6AWG Sol/Str	75°C Cu or higher	CCP-1-30CF	UL 98 Listed, cULus 22.2, No. 4-04
			125Vdc	100kA								
30	CF	2	600Vac	200kA	—	3	—	—	Single/Dual 18-6AWG Sol/Str	75°C Cu or higher	CCP-2-30CF	UL 98 Listed, cULus 22.2, No. 4-04
			125Vdc	100kA								
30	CF	3	600Vac	200kA	—	5	15	10	Single 4AWG Sol/Str	75°C Cu or higher	CCP-3-30CF	UL 98 Listed, cULus 22.2, No. 4-04
			125Vdc	100kA								
60	CF	1	600Vac	200kA	3	—	—	—	Spade Terminal†	75°C Cu or higher	CCP-1-60CF	UL 98 Listed, cULus 22.2, No. 4-04
			125Vdc††	100kA								
60	CF	2	600Vac	200kA	—	7.5	—	—	Spade Terminal†	75°C Cu or higher	CCP-2-60CF	UL 98 Listed, cULus 22.2, No. 4-04
			125Vdc††	100kA								
60	CF	3	600Vac	200kA	—	7.5	20	10	Spade Terminal†	75°C Cu or higher	CCP-3-60CF	UL 98 Listed, cULus 22.2, No. 4-04
			125Vdc††	100kA								
100	CF	1	600Vac	200kA	5	—	—	—	Single 8-10AWG Sol/Str	75°C Cu or higher	CCP-1-100CF	UL 98 Listed, cULus 22.2, No. 4-04
			125Vdc†††	100kA								
100	CF	2	600Vac	200kA	—	10	—	—	8-1AWG Str Dual	75°C Cu or higher	CCP-2-100CF	UL 98 Listed, cULus 22.2, No. 4-04
			125Vdc†††	100kA								
100	CF	3	600Vac	200kA	—	20	50	50	6AWG Str Spade Terminal†	75°C Cu or higher	CCP-3-100CF	UL 98 Listed, cULus 22.2, No. 4-04
			125Vdc†††	100kA								

\* With time-delay Low-Peak CUBEFuse.  
 \*\* 30-60A: 18-10AWG 20 Lb-In, 8-6AWG 35 Lb-In, 4AWG 35 Lb-In.  
 70-100A: 18-10AWG Single 25 Lb-In, 8-1AWG Single 35 Lb-In, 6AWG Dual 45 Lb-In.  
 † Spade terminal with a 4.3mm gap for a #8-32 stud, 30A max, insulated flange, wire size 12-10AWG.  
 †† Up to 40A max, >40A is 24Vdc.  
 ††† Up to 80A max, >80A is 24Vdc.

### Specifications

#### Agency information

- CE compliant
- RoHS compliant
- UL 98 Listed, File E302370, Guide WHTY
- cULus to CSA Standard 22.2 No. 4-04, File 302370, Guide WHTY7



#### Terminals

- Single/dual conductor box lug or spade terminal suitable for line, load or accessory connection
- Torque: 0-60A:
  - 18-10AWG 20 Lb-In
  - 8-6AWG 35 Lb-In
  - 4AWG 35 Lb-In
- 70-100A:
  - 18-10AWG single 25 Lb-In
  - 8-1AWG single 40 Lb-In
  - 6AWG dual 45 Lb-In

#### Fuses

- Uses finger-safe Class CF CUBEFuse™ with Class J performance
- Low-Peak™ dual-element, time-delay\*
  - Non-indicating 1-100A
  - Indicating 6-100A
- Fast-acting, non-indicating 1-100A\*\*

\* See Data Sheet # 9000  
 \*\* See Data sheet # 2147

#### Storage and operating temperature

- -20°C to 75°C\*\*\*
- \*\*\* For fuse performance under or above 25°C, consult fuse performance derating charts in the Eaton publication titled *Selecting Protective Devices (SPD)* reorder #3002.

#### Flammability rating

- UL 94V0

#### Lockout/tagout provisions

- 4mm shank lock or Brady pin-out device, part number 90850

#### Mounting

- 35mm DIN-Rail

#### Local open fuse indication minimum voltage†

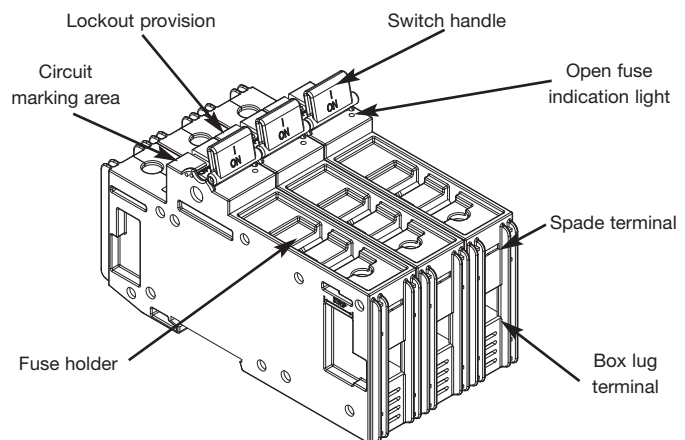
- 90V
- † Open fuse indication requires an open fuse to be in the CCP and the switch in the ON position.

#### Features

- Ampacity rejecting disconnects will not accept CUBEFuse amp ratings greater than switch rating
- IP20 Finger-safe construction with 10AWG (6mm<sup>2</sup>) wire or larger
- Built-in switch interlock capability prohibits removing the fuse under load

#### Accessories

- Auxiliary contacts
- PLC wired remote fuse indication
- CUBEFuse pullers (P/Ns: CFP-30, CFP-60, CFP-100)



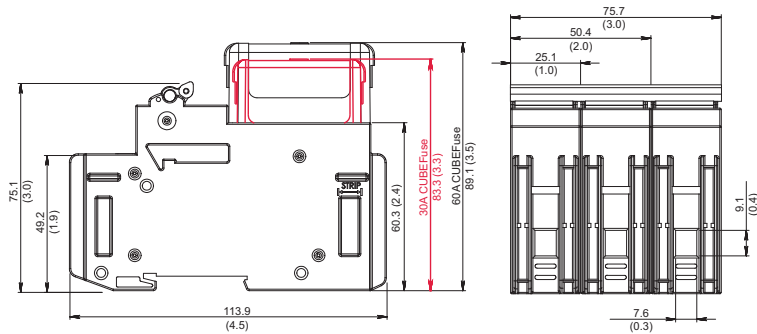
Data Sheet: 1157

Compact Circuit Protector (CCP) disconnect switch—30, 60 and 100A

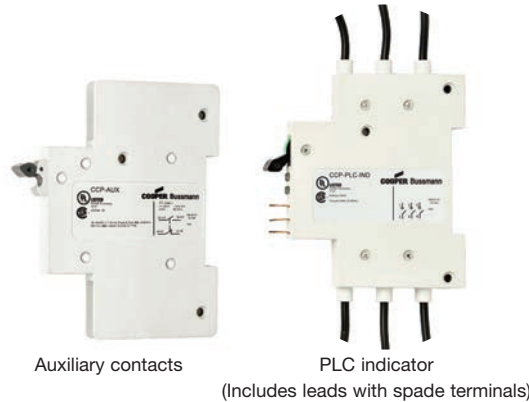
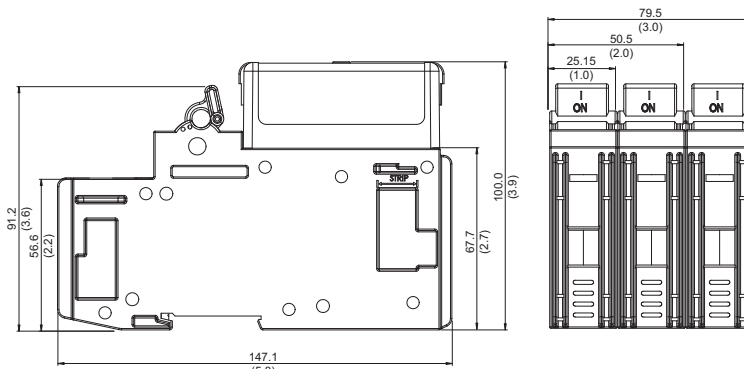
1-, 2- and 3-pole, Class CF CUBEFuse™

Dimensions – mm (in)

30 and 60 Amp



100 Amp



CCP- _ _ CF accessories					
Description	Max per CCP	Signal output	Minimum circuit voltage	Agency information	Part number
Auxiliary contacts NO+NC For switch status up to 60A	1 per CCP (1-, 2-, 3-pole)	5A/ 240Vac	-	UL 98 Recognized, cURus 22.2 No. 4-04, IEC 60947-5-1 AC15	CCP-AUX*
Auxiliary contacts NO+NC For switch status 70 to 100A	1 per CCP (1-, 2-, 3-pole)	5A/ 240Vac	-	UL 98 Recognized, CSA C22.2 No. 4	CCP-AUX-100*
PLC fuse monitor for open fuse indication 70 to 100A	1 per CCP (1-, 2-, 3-pole)	24Vdc/ 10mA	100Vac	UL 98 Recognized, cURus 22.2 No. 4-04	CCP-PLC-IND*
PLC fuse monitor for open fuse indication 70 to 100A	1 per CCP (1-, 2-, 3-pole)	24Vdc/ 10mA	100Vac	UL 98 Recognized, CSA C22.2 No. 4	CCP-PLC-100*

\* Refer to Data Sheet # 1157 for details.

Disconnect switches