

# LT Series

## Power Free Exit Sign

**Self-luminous, independent operation exit sign.**



### Features

- Illumination provided by borosilicate glass tubes, internally coated with zinc sulphide phosphor and filled with tritium gas
- Minimum brightness at time of manufacture is 0.132 foot-lambert (0.452 cd/m<sup>2</sup>)
- Decorative, slim-line heavy-duty ABS housing
- Rugged, impact-resistant polycarbonate face
- Spark free construction
- Simple installation – universal direction capability, comes complete with universal mounting hardware
- Stands up to extreme temperatures in outdoor or indoor applications
- Standard 12-year life expectancy. 15-year life expectancies available as an option



Made in Canada

### Typical Specification

Supply and install Lumacell LTEU (EXIT) or LTSU (SORTIE) Series self-luminous exit signs. The exit shall be constructed of a thermoplastic housing and be corrosion proof. The sealed housing will incorporate no loose or removable parts allowing for easy installation. The standard expected life shall be 12 years with a minimum guaranteed life of 10 years.

The standard mounting brackets will allow for either end/ceiling or wall mount. Standard signs shall be supplied with red face, grey frame and white letters that are 6" high by 3/4" stroke. The initial average minimum brightness shall be .132 foot-lambert (0.452 cd/m<sup>2</sup>).

The equipment shall be Lumacell Model:

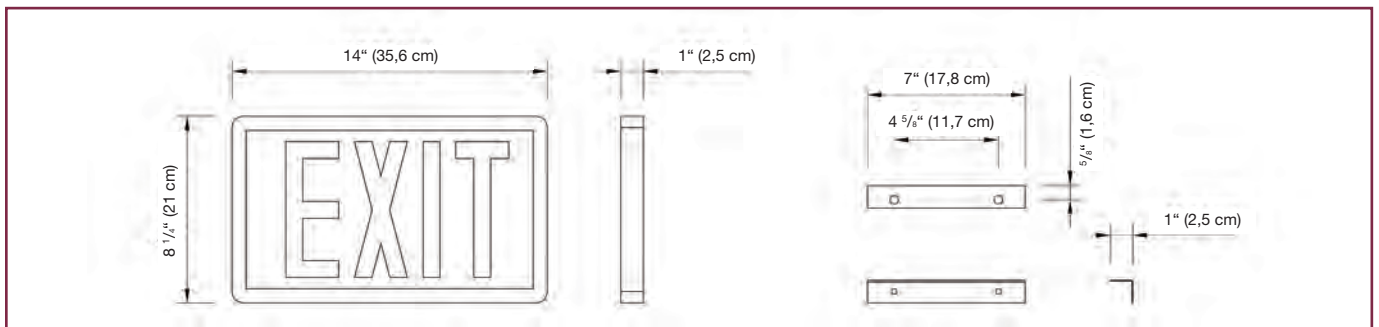
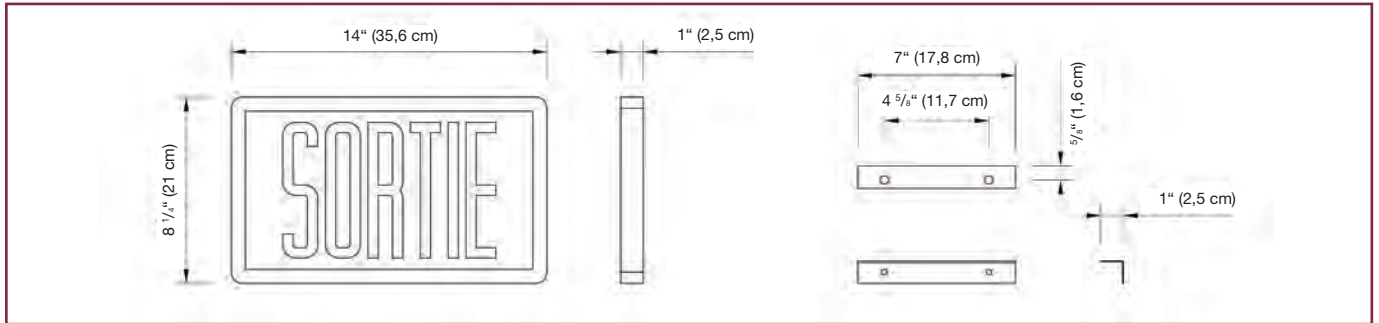
\_\_\_\_\_.

Project/Location		Date
Contractor		Prepared by
LUMACELL Model		



## LT SERIES

### Dimensions



### Wire Guards

460.0079-L	Wall Mount
460.0027-L	End Mount
460.0028-L	Ceiling Mount

### Ordering Information

Series	Faceplates/Mounting	Housing Colours	Life Years	Options
<b>LTEU</b> = EXIT	<b>1</b> = single face, universal mount	<b>Blank</b> = grey <b>WH</b> = white <b>B</b> = black	<b>Blank</b> = 12 years <b>15</b> = 15 years*	<b>Blank</b> = no options
<b>LTSU</b> = SORTIE				<b>SW</b> = special wording
<b>LTB3LE/S</b> = EXIT SORTIE	<b>2</b> = double face, universal mount			<b>GN</b> = green background
<b>LTB3LS/E</b> = SORTIE/EXIT				

\*Not available in SORTIE

### EXAMPLE: LTEU1