



5331 Series*
5231 AL Series

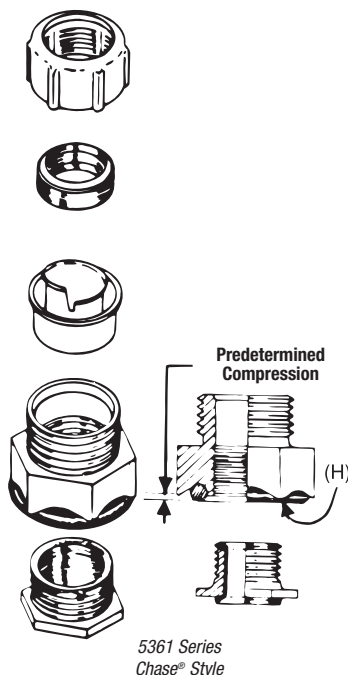


5361 Series



5271 Series

* 5341 Series...
same as 5331, except 45° Connectors
5351 Series...
same as 5331, except 90° Connectors



Application

- Used where flexible metal raceway is installed in outdoor or indoor locations where exposed to continuous or intermittent moisture
- To positively bond conduit to box or enclosure

Features

- Ability to install quickly with low torque effort
- Ground cone design offers the following advantages:

- (1) Compresses metallic convolutions; provides high quality ground contact with low impedance and high raceway holding power (A)
- (2) Single helical thread on ground cone is easy to install without cross thread; accepts variations in raceway diameters and convolution pitch (B)
- (3) Rolled over edge protects conductors (C)

Sealing Ring Design Features

- (1) Grips and seals at leading and trailing edge — will not abrade raceway jacket (D)
- (2) Provided with grooves on inside diameter for anti-sleeving (E)
- (3) Shoulders on both ends for extra sealing (F)
- (4) Symmetrical shape assures foolproof assembly

- Can be disconnected and reused.

- Watertight/oil tight installation at box or enclosure termination is assured by:

- (1) External taper thread hub on 5331 series and use of sealing gasket 5262 series (G)
- (2) Captivated sealing O-Ring on 5361 series (H)
- (3) Taper tapped hole on 5271 series

- Suitable for use in Class I Division 2, Class II Division 1 and 2 and Class III Division 1 and 2 Hazardous Locations per NEC Section 500

- Suitable as a grounding means per NEC Section 351-9 (up to 1¼" trade size on)

- ½" & 1¼" sizes laboratory tested to carry ground fault current of up to 1,000 amps RMS with duration of fault current 3 cycles

- Conforms with JIC requirements

- Available with imperial, ISO & PG threaded hub

Standard Material

5331-5361-5271 Series

Body, Gland, Locknut & Ground Cones: All steel or malleable iron

Sealing Ring and Insulator: All thermoplastic

Sealing Gasket: Stainless Steel and Santoprene™

5331SST-5331SSTHT Series

304 Stainless Steel insulated

Sealing Ring and Insulator: All thermoplastic

Sealing Gasket: Stainless Steel and Santoprene™

5231 AL Series

All Copper-free Aluminum (non-insulated)

Standard Finish

5331-5361-5271 Series

Electro Zinc Plated with Chromate Coating

5331ST-5331STH Series

Electro Zinc Plated with Chromate Coating

5231 AL Series

Copper-free Aluminum

Range

5331 Series ¾" through 6"* conduit

5341 Series ¾" through 4" conduit

5351 Series ¾" through 4" conduit

5361 Series ¾" through 4" conduit

5271 Series ¾" through 1¼" conduit

5331SST Series ¾" through 2" conduit

5331SSTHT Series ¾" through 2" conduit

5231 AL Series ¾" through 4" conduit

*All hubs provided with taper pipe threads (NPT)

Listings/Compliances

UL UL File No. E-23018

CSA LR-2884, LR-4484, LR-9555

UL 514B

CSA C22.2 No. 18

NEMA FB-1

NFPA 70-1999 (ANSI)

JIC EGP1

JIC EMP1

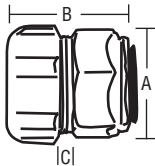
Federal Specification A-A-50552

Federal Standard H-28 (Threads)

T&B® Fittings

Liquidtight Flexible Metal Conduit Fittings

T&B® Fittings



Steel or malleable iron with O-Ring Seal

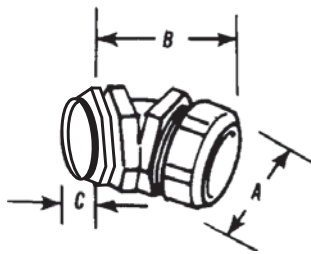
Nylon Insulated CHASE® Connectors



CAT. NO.	CONDUIT SIZE	DIMENSIONS (IN.)		
		A	B	C
5361†	3/8"	1 1/2	1 1/2	1/8
5362†	1/2"	1 1/2	1 1/2	3/16
5363†	3/4"	1 1/2	1 1/2	1/4
5364†	1"	2 1/2	2 1/2	1/4
5365†	1 1/4"	2 1/2	2 1/2	5/16
5366†	1 1/2"	2 1/2	2 1/2	3/8
5367†	2"	3 1/2	3	3/8
5368†	2 1/2"	4 1/2	3 1/2	7/16
5369†	3"	5 1/2	4 1/2	1/2
5370†	4"	5 1/2	4 1/2	1/2

With SAFE-EDGE® ground cone and double bevel sealing ring (through 2").

Nylon Insulated 90° Angle CHASE® Connectors



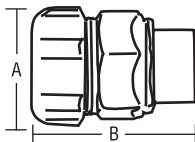
Malleable iron

CAT. NO.	CONDUIT SIZE	DIMENSIONS (IN.)		
		A	B	C
5371†	3/8"	1 1/2	1 1/2	3/16
5372†	1/2"	1 1/2	1 1/2	3/16
5373†	3/4"	1 1/2	1 1/2	9/32
5374†	1"	2 1/2	2 1/2	1 1/2

With SAFE-EDGE® ground cone and double bevel sealing ring.

NOTE: UL Listed Liquidtight; & CSA certified watertight. Suitable for hazardous locations use in Class I, Div. 2; Class II, Div. 1 and 2; Class III, Div. 1 and 2, where general purpose equipment is specifically permitted per NEC Section 500-2(a).

†UL listed as grounding means under NEC 351-7.



Standard Liquidtight Female Hub Adapter



CAT. NO.	CONDUIT SIZE	DIMENSIONS (IN.)	
		A	B
5271†	3/8"	1 1/2	1 1/2
5272†	1/2"	1 1/2	1 1/2
5273†	3/4"	1 1/2	1 1/2
5274†	1"	1 1/2	2 1/2
5275†	1 1/4"	2 1/2	2 1/2
5276†	1 1/2"	2 1/2	2 1/2
5277†	2"	3 1/2	3 1/2

†UL Listed as grounding means under NEC 351-7.

Prevents severe conduit bends and pullout!

Wiremesh Grips for Liquidtight Fittings



CAT. NO.	CONDUIT SIZE	LIQUIDTIGHT CONNECTORS			CHASE	90° CHASE	ADAPTER
		STRAIGHT	45°	90°			
WMG-LT1	3/8"	5331	5341	5351	5361	5371	5271
WMG-LT2	1/2"	5332	5342	5352	5362	5372	5272
WMG-LT3	3/4"	5333	5343	5353	5363	5373	5273
WMG-LT4	1"	5334	5344	5354	5364	5374	5274
WMG-LT5	1 1/4"	5335	5345	5355	5365	—	5275
WMG-LT6	1 1/2"	5336	5346	5356	5366	—	5276
WMG-LT7	2"	5337	5347	5357	5367	—	5277
WMG-LT8	2 1/2"	5338	5348	5358	5368	—	5278
WMG-LT9	3"	5339	5349	5359	5369	—	5279
WMG-LT10	4"	5340	5350	5360	5370	—	5282

Order wiremesh grip separately; no need to duplicate inventory.

UL File No. E23018

CSA File No. 2884 & 4484