

18 mm Full Tubular Photoelectric Sensors

Industry Standard 18 mm Tubular Sensors Offer Wide Voltage Ranges and Reliable Performance

Contents

Overview..... 6-37
 Model Selection..... 6-37
 Model Selection, Accessories 6-38
 Wiring Diagrams 6-38
 Dimensions..... 6-38

E58 Full Tubular Photoelectric Sensors are an ideal choice for a wide variety of sensing tasks. AC models handle up to 250V AC and 300 mA load current. DC models are available in NPN and PNP configurations and are rated at 100 mA.




For the most current information on this product, visit our web site at: www.sensingsolutions.com



Product Features

- 18 mm tubular photoelectric sensors are completely self-contained
- Sturdy Polyamide housing with an M18 x 1 thread
- LED output status indicator
- 3-wire connecting cable is 3 meters long
- Rated NEMA 3, 3S, 4, 4X, 6, 6P, 12 and 13
- Ambient temperature range is 0° to 50°C (32° to 122°F)



Model Selection — 18 mm Diameter Sensors (Connection Type: 3-Meter Cable)

	Input Voltage	Sensing Range	Maximum Load Current	Maximum Inrush	Thru-Beam Component	Output	Catalog Number		
							Dark Operate	Light Operate	
3-Wire Sensors									
Thru-Beam  Source Detector For Complete System, Order 1 Source and 1 Detector	20 – 250V AC	52.5 feet (16m)	300 mA	3.0A	—	Source	E58CAL18A2E2		
						Detector	E58CAL18A2C2	E58CBL18A2C2	
	10 – 30V DC ①	26 feet (8m)	100 mA	—	—	Source	E58CAL18T110E2		
						Detector	NPN	E58CAL18T110C2	E58CBL18T110C2
							PNP	E58CAL18T111C2	E58CBL18T111C2
Reflex  Sensor Retroreflector (Not Included, See Section 8)	20 – 250V AC, 45/65 Hz	13.1 feet (4m) ②	300 mA	3.0A	—	—	E58CAL18A2R2	E58CBL18A2R2	
						NPN	E58CAL18T110R2	E58CBL18T110R2	
	10 – 30V DC	6.5 feet (2m) ②	100 mA	—	—				
						PNP	E58CAL18T111R2	E58CBL18T111R2	
Diffuse Reflective 	20 – 250V AC, 45/65 Hz	3.15 inches (80 mm)	300 mA	3.0A	—	—	E58CBL18A2D2	E58CAL18A2D2	
						NPN	E58CBL18T110D2	E58CAL18T110D2	
	10 – 30V DC ①	3.15 inches (80 mm)	100 mA	—	—				
						PNP	E58CBL18T111D2	E58CAL18T111D2	

① Short circuit and reverse polarity protected.
 ② Based on 3-inch retroreflector.

For Customer Service in the U.S. call 1-800-356-1243, in Canada call 1-800-268-3578. For Application Assistance in the U.S. and Canada call 1-800-426-9184.

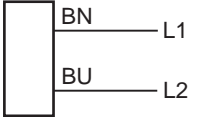
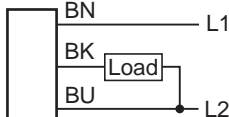
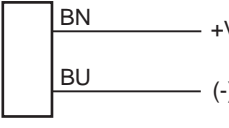
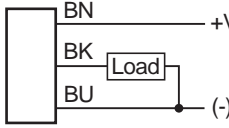
Model Selection — Accessories

	Description	Catalog Number
	Retroreflectors	See Section 8
	Plastic mounting nuts (set of 2 for replacement only)	E57KNC18
	Protective lens cover (glass)	E58KP18

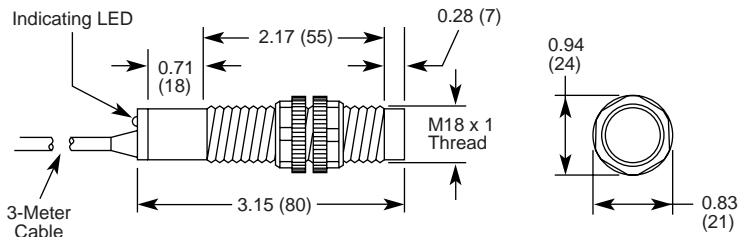
Wiring Diagrams

Operating Voltage	Output	Thru-Beam Source	All Other Sensors
-------------------	--------	------------------	-------------------

3-Wire Sensors

20 – 250V DC	All		
		10 – 30V DC	NPN
	PNP		

Approximate Dimensions in Inches (mm)



6 PHOTOELECTRIC SENSORS