

NEMA 12-13 MTRX CABINETS

Plastic print pocket

Visit www.eurobex.com for details.

Call us toll free 1-800-363-2423

The **880 PP** Print pockets are made of plastic and are installed using the self adhesive backing or using the mounting holes provided for M6 studs. Finish is red.



CATALOG NUMBER	DIMENSIONS		
	A	B	C
880 PP	152	241	25
880 PPL	305	305	25

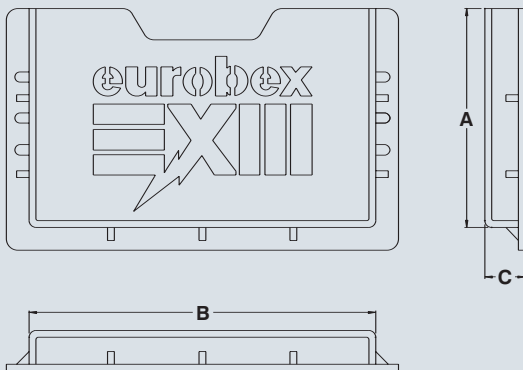
Large metal print pocket

The **886 PPXL** Extra large metal print pockets are made of steel and are installed on the vertical rails on the cabinet doors. Finish is red heat fused polyester powder, electrostatically applied on a phosphatized base.

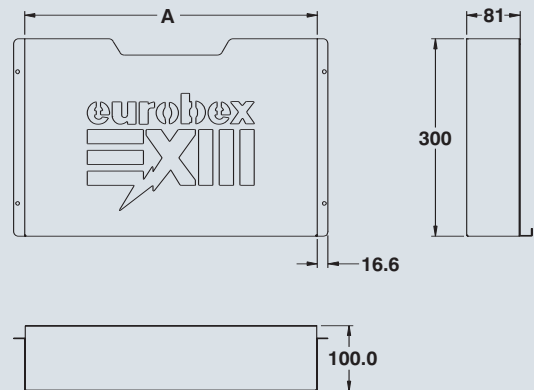


CATALOG NUMBER	A	FITS CABINET
		WIDTH
886 PPXL04	245	400
886 PPXL06	445	600, 1200
886 PPXL07	545	700
886 PPXL08	645	800, 1600
886 PPXL10	845	1000

880 P drawing



886 PPXL drawing



Data subject to change without notice.