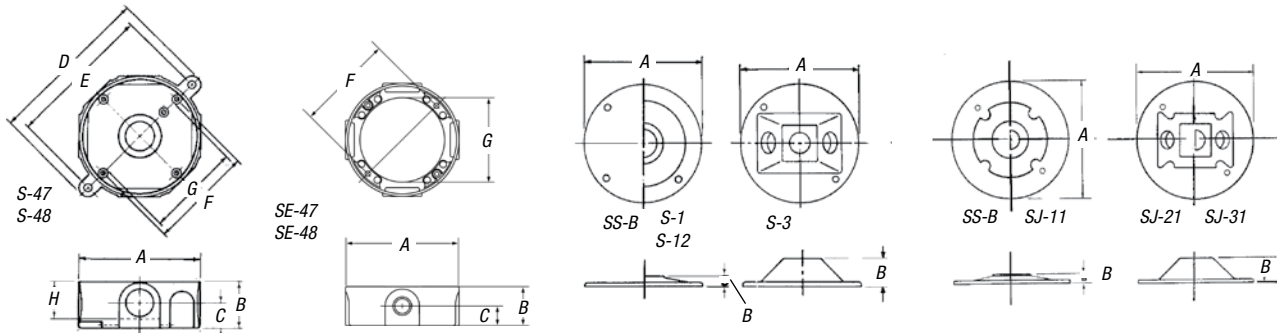


Weatherproof Metallic Boxes

Outlet Boxes, Extensions

Boxes & Covers — Red•Dot® Weatherproof

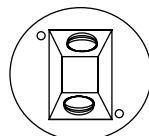
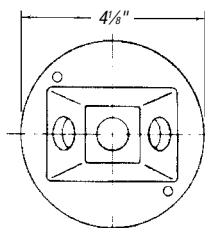


DIMENSIONS (IN.)

CAT. NO.	HUB SIZE	A	B	C	D	E	F	G	H	CI
S-47	1/2	4 1/8	1 1/8	3/4	5 1/16	4 15/16	3 1/2	3 1/8	1 1/4	17.0
SE-47	1/2	4 1/8	1 1/8	1 3/16	—	—	3 1/2	3 1/16	—	18.3
S-71	1/2	4 1/8	1 1/8	3/4	5 1/16	4 15/16	3 1/2	3 3/8	1 1/4	16.3
S-48	3/4	4 1/8	1 1/8	7/8	5 1/16	4 15/16	3 1/2	3 3/8	1 1/4	17.0
SE-48	3/4	4 1/8	1 1/8	1 1/16	—	—	3 1/2	3 1/16	—	18.3
SS-B	—	4 1/8	3/64	—	—	—	—	—	—	—
S-1	1/2	4 1/8	1 3/8	—	—	—	—	—	—	—
S-12	3/4	4 1/8	3/8	—	—	—	—	—	—	—
S-3	1/2	4 1/8	1 1/16	—	—	—	—	—	—	—
SS-B	—	4 1/2	3/8	—	—	—	—	—	—	—
SJ-11	1/2	4 1/2	3/8	—	—	—	—	—	—	—
SJ-21	1/2	4 1/2	1	—	—	—	—	—	—	—
SJ-31	1/2	4 1/2	1	—	—	—	—	—	—	—

Round Lampholder Covers

- Heavy-duty die-cast construction
- Powder-coat finish in silver gray, bronze or white
- Three-hole cover is supplied with a 1/2" closure plug
- Supplied with sealing gasket and cover screw



Y2

CAT. NO.	NO. OF OUTLET HOLES	FINISH	STD. CTN.
S-1-RD	1	Silver Gray	25
DSS-1-BR	1	Bronze	25
DSS-1-WH	1	White	25
Y2-PL	2	Silver Gray	25
S-3-RD	3	Silver Gray	25
DSS-3-BR	3	Bronze	25
DSS-3-WH	3	White	25

UL Listed E-51763.

CSA Certified LR-18685.

Round Blank Covers



CAT. NO.	COLOR	DESCRIPTION
4 1/8" Diameter		
SS-B	Silver	Weatherproof Cover with Gasket and Screws
5" Diameter		
CCRSB	White	Mounting Holes 2 3/4" on Center (not raintight)
CCRB	White	Mounting Holes 3 1/2" on Center (not raintight)
D-PAK®		
DCCRB	White	—

Note: Boxes are raintight when used with appropriate Red•Dot® boxes.

All covers packed with gasket and screws.