

Eclipse Series - NEMA 4, 12

Single Window Door Enclosures

Industrial Enclosures

Wallmount Enclosures



**Panel
Sold
Separately**



Application

- Designed to enclose electrical and/or electronic equipment in wallmount applications where viewing of component operation is necessary while maintaining protection ratings.
- Impressive styling features like hidden hinges, attractive latching systems make the Eclipse a suitable addition to any high-tech equipment installation.
- A wide range of sizes and practical accessories make this product line a complete package.

Standards

- UL 508 Type 3R, 4 and 12
- CSA Type 3R, 4 and 12
- **Complies with**
 - NEMA 3R, 4 and 12
 - IEC 60529, IP66

Construction

- Formed 14 or 16 gauge steel.
- Full view UV resistant polycarbonate window allow maximum viewing area of inner panel.
- Smooth, continuously welded seams ground smooth.
- Door stiffeners are provided where required for increased strength and rigidity - designed to also permit additional mounting options.
- Formed lip on enclosure to exclude flowing liquids and contaminants.
- Door latches feature the added safety of quarter turn slot requiring use of tool for opening.
- Doors may be easily removed for modifications and are interchangeable.
- Seamless poured-in place gasket.
- Collar studs provided for mounting inner panel.
- Includes hardware kit with panel mounting nuts and sealing washers for wall mounting holes.
- Bonding stud provided on door and grounding stud installed in enclosure.
- Hinges are constructed from 304 stainless steel.
- Hinge pins are stainless steel.
- Quarter turn latches are zinc diecast with black epoxy finish.

Finish

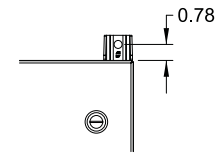
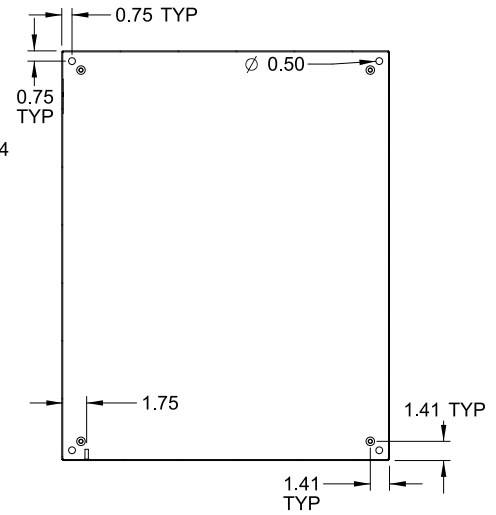
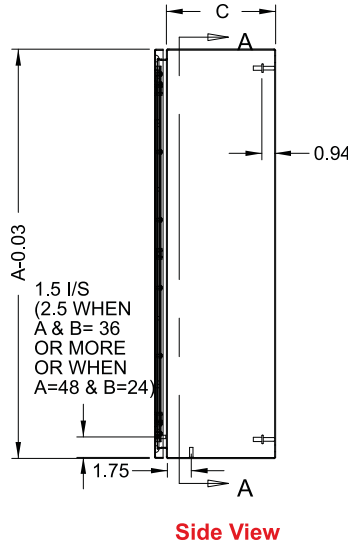
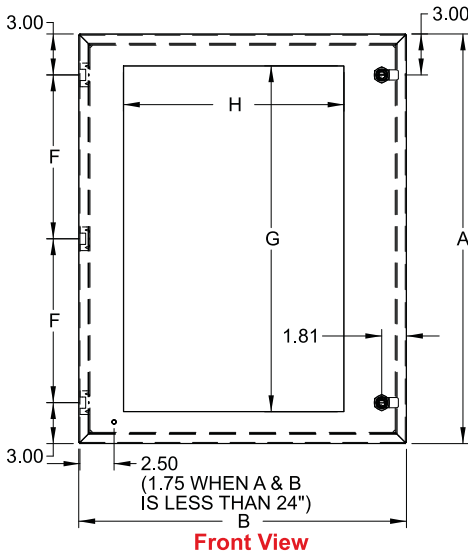
- Cover and enclosure are phosphatized and finished with a recoatable powder inside and out with choice of ANSI 61 smooth Gray (GY) or RAL7035 textured light gray (LG).

Accessories

- Air conditioners...see page **349-367**
- Blowers...see page **392**
- Breather kits...see page **400-401**
- DIN rails...see page **30**
- DIN rail mounting kit...see page **30**
- Door stop kit...see page **453**
- Drip shield kit...see page **451**
- Filter fans...see page **371-384**
- Gland Plates...see page **446**
- Heaters...see page **393-396**
- Handles...see page **31**
- Inner panel...see page **29**
- Quarter turn inserts and keys ...see page **31**
- Literature pocket...see page **456**
- Mounting foot kit...see page **31**
- Swing frame...see page **30**
- Swing panel...see page **29**
- Rear Hole Plugs...see page **32**
- Replacement hinge pins...see page **29**
- Replacement quarter turn assemblies...see page **31**
- Thermostats...see page **397**
- Touch up paint...see page **455**
- UL/CSA approved hardware kit ...see page **433**
- Padlock Adapter (EPA)...see page **434**

Eclipse Series - NEMA 4, 12

Single Window Door Enclosures



| Part No. (ANSI 61 Gray) | Part No. (RAL7035 Light Gray) | Overall Dimensions | | | Door/ Body Gauge | Latch ¹ Qty | Hinge Qty | F | Viewing Area | | | Optional Panel Part No. | Inner Panel Dimensions | | | Ship Wt. lbs |
|----------------------------|-------------------------------------|-----------------------|----|----|------------------------|---------------------------|--------------|----|--------------|-------|--------|-------------------------------|---------------------------|----|--|--------------------|
| | | A | B | C | | | | | G | H | D | | E | | | |
| EN4SD16126WGY | EN4SD16126WLG | 16 | 12 | 6 | 16 | 1 | 2 | 10 | 11.33 | 6.71 | EP1612 | 14.2 | 10.2 | 16 | | |
| EN4SD20166WGY | EN4SD20166WLG | 20 | 16 | 6 | 16 | 1 | 2 | 14 | 15.33 | 10.71 | EP2016 | 18.2 | 14.2 | 22 | | |
| EN4SD20206WGY | EN4SD20206WLG | 20 | 20 | 6 | 16 | 1 | 2 | 14 | 15.33 | 14.71 | EP2020 | 18.2 | 18.2 | 26 | | |
| EN4SD24206WGY | EN4SD24206WLG | 24 | 20 | 6 | 16 | 1 | 2 | 18 | 19.33 | 14.71 | EP2420 | 22.2 | 18.2 | 30 | | |
| EN4SD24246WGY | EN4SD24246WLG | 24 | 24 | 6 | 14 | 2 | 2 | 18 | 19.33 | 16.15 | EP2424 | 22.2 | 22.2 | 37 | | |
| EN4SD16128WGY | EN4SD16128WLG | 16 | 12 | 8 | 16 | 1 | 2 | 10 | 11.33 | 6.71 | EP1612 | 14.2 | 10.2 | 16 | | |
| EN4SD20168WGY | EN4SD20168WLG | 20 | 16 | 8 | 16 | 1 | 2 | 14 | 15.33 | 10.71 | EP2016 | 18.2 | 14.2 | 25 | | |
| EN4SD20208WGY | EN4SD20208WLG | 20 | 20 | 8 | 16 | 1 | 2 | 14 | 15.33 | 14.71 | EP2020 | 18.2 | 18.2 | 28 | | |
| EN4SD24208WGY | EN4SD24208WLG | 24 | 20 | 8 | 16 | 1 | 2 | 18 | 19.33 | 14.71 | EP2420 | 22.2 | 18.2 | 32 | | |
| EN4SD24248WGY | EN4SD24248WLG | 24 | 24 | 8 | 14 | 2 | 2 | 18 | 19.33 | 16.15 | EP2424 | 22.2 | 22.2 | 40 | | |
| EN4SD30248WGY | EN4SD30248WLG | 30 | 24 | 8 | 14 | 2 | 3 | 12 | 25.33 | 16.15 | EP3024 | 28.2 | 22.2 | 46 | | |
| EN4SD202012WGY | EN4SD202012WLG | 20 | 20 | 12 | 16 | 1 | 2 | 18 | 15.33 | 14.71 | EP2020 | 18.2 | 18.2 | 34 | | |
| EN4SD242012WGY | EN4SD242012WLG | 24 | 20 | 12 | 16 | 1 | 2 | 18 | 19.33 | 14.71 | EP2420 | 22.2 | 18.2 | 38 | | |
| EN4SD242412WGY | EN4SD242412WLG | 24 | 24 | 12 | 14 | 2 | 2 | 18 | 19.33 | 16.15 | EP2424 | 22.2 | 22.2 | 47 | | |
| EN4SD302412WGY | EN4SD302412WLG | 30 | 24 | 12 | 14 | 2 | 3 | 12 | 25.33 | 16.15 | EP3024 | 28.2 | 22.2 | 57 | | |
| EN4SD242416WGY | EN4SD242416WLG | 24 | 24 | 16 | 14 | 2 | 2 | 18 | 19.33 | 16.15 | EP2424 | 22.2 | 22.2 | 66 | | |
| EN4SD242420WGY | EN4SD242420WLG | 24 | 24 | 20 | 14 | 2 | 2 | 18 | 19.33 | 16.15 | EP2424 | 22.2 | 22.2 | 70 | | |
| EN4SD302420WGY | EN4SD302420WLG | 30 | 24 | 20 | 14 | 2 | 3 | 12 | 25.33 | 16.15 | EP3024 | 28.2 | 22.2 | 82 | | |

¹ All Window Door latch types are quarter turns.