

9

Fuse holders and blocks

Class J power distribution fuse block

Class J

Specifications

Description:

New Class J fuse block features power distribution capability. This patented design simplifies your panel layout and uses up to 50% less panel space. Additionally, it lowers inventory costs while reducing installation time and labor by 33%.



Fuse Class:

- Class J

Ratings:

Volts - 600V
Amps - 70-400A
Withstand - 200kA Sym RMS

Agency information:

- Blocks: - UL Recognized E14853 – IZLT2
- CSA Certified 47235 – 6225-01
- Covers: - UL Listed UL E58836 – JDVS2

Poles:

- 1-, 2-, 3-pole

Flammability ratings:

- Blocks: - UL 94V0, self-extinguishing
- Covers: - UL 94HB, self-extinguishing

Operating and storage temperature range:

- Blocks: -40°C to +120°C
- Covers: - Non-indicating -40°C to +120°C
- Indicating -20°C to +90°C

Materials:

- Base: - Thermoplastic
- Terminals: - Tin-plated aluminum

Features and benefits:

- Combination power distribution block and fuse block reduces wire connections and total panel components, using 50% less panel space and reducing installation time and labor by 33%.
- A 200kA withstand rating helps achieve a higher assembly short-circuit current rating (SCCR) for compliance with NEC® sections 110.10, 409.110(4), 409.22, 440.4(B), 670.3(A)(4) and 670.5.
- Optional see-through cover enhances safety with IP20 finger-safe protection, lockout/tagout capability and open circuit indication.

Wire:

- 75°C CU/AL*
- * Conductors with higher temperature rating may be used, but at their 75°C ampacity.

Accessories:

- Optional IP20 finger-safe covers in indicating and non-indicating versions. Order one for each pole.

Recommended fuses (order separately):

- Time-delay Class J Low-Peak™ (see Data Sheet # 1007)
 - Indicating LPJ-(amp)SPI
 - Non-indicating LPJ-(amp)SP
- Fast-acting Class J Limitron™ (see Data Sheet # 1027)
 - Non-indicating JKS-(amp)
- High Speed Class J DFJ Drive Fuses (see Data Sheet # 1048)



Loadside view



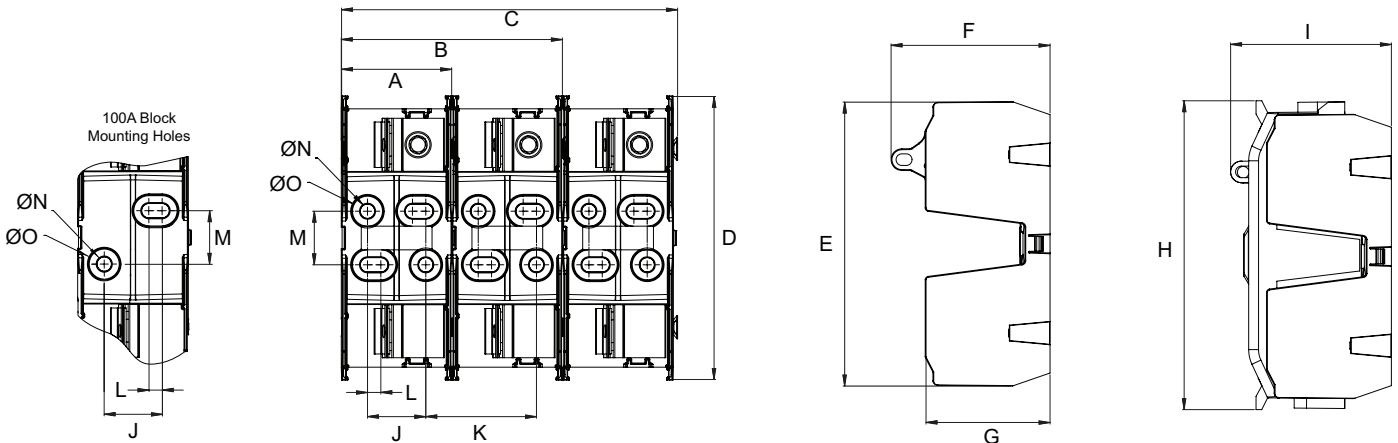
Eaton power distribution fuse blocks are available preassembled into 1-, 2- and 3-pole versions. Individual blocks can be dovetailed together to achieve the desired number of poles. Use of covers requires ordering separately one cover for each pole.

Data Sheet: 10192

Part Number	Optional Covers	Volts (V)	Fuse Range	Poles	Lineside		Loadside	
					Conductors	Torque AWG; N*m (Lb-In)	Conductors	Torque AWG; N*m (Lb-In)
JM60100-1MW14 JM60100-2MW14 JM60100-3MW14	CVR-J-60100-M CVRI-J-60100-M*	600	70-100A	1 2 3	(1) 1/0-14 CU/AL	1/0-1; 5.6 (50) 4-6; 5.0 (45) 8; 4.5 (40) 10-14; 4.0 (35)	(4) 4-14 CU, 4-8 AL (8)**10-14 CU	4-6; 4.0 (35) 8; 2.8 (25) 10-14; 2.3 (20) [†] (2) 10-14; 3.4 (30) [†]
JM60200-1MW16 JM60200-2MW16 JM60200-3MW16	CVR-J-60200-M CVRI-J-60200-M*	600	110-200A	1 2 3	(1) 250kcmil-6 CU/AL	250kcmil-1; 42 (375) (2) 2-6; 31 (275)	(6) 4-14 CU, 4-8 AL (12)**10-14 CU	4-6; 4.0 (35) 8; 2.8 (25) 10-14; 2.3 (20) [†] (2) 10-14; 3.4 (30) [†]
JM60400-1MW16 JM60400-2MW16 JM60400-3MW16	CVR-J-60400-M CVRI-J-60400-M*	600	225-400A	1 2 3	(1) 600kcmil-4 CU/AL	600kcmil-4; 57 (500) 500kcmil; 51 (450) (2) 3/0-4; 57 (500) CU 34 (300) AL	(6) 2-14 CU, 2-8 AL (12)**8-14 CU, 8 AL	2-3; 5.6 (50) 4-6; 5.0 (45) 8; 4.5 (40) (2) 8; 4.5 (40) ^{†††} 10-14; 4.0 (35) [†] (2) 10-14; 4.5 (40) [†]
JM60400-1MW26 ^{††} JM60400-2MW26 ^{††} JM60400-3MW26 ^{††}				1 2 3	(2) 350kcmil-6 CU/AL	(2) 350kcmil-1; 42 (375) (2) 2-6; 31 (275)	(6) 2-14 CU, 2-8 AL (12)**8-14 CU, 8 AL	2-3; 5.6 (50) 4-6; 5.0 (45) 8; 4.5 (40) (2) 8; 4.5 (40) ^{†††} 10-14; 4.0 (35) [†] (2) 10-14; 4.5 (40) [†]

* With open fuse indication. 90V minimum and closed circuit required for illumination.
 ** Dual wire rated lugs with same wire size.
 † Copper conductor only.
 †† Lineside dual box lug.
 ††† Dual wire not for CSA installations

Dimensions - in (mm)



Block Size		A	B	C	D	E	F	G	H	I	J	K	L	M	ØN	ØO
100A	in	2.0	4.0	6.0	5.5	5.5	2.8	2.2	6.0	2.8	0.9	2.0	0.4	1.1	0.4	0.5
	mm	51	102	153	139	139	72	55	152	72	22	51	10	29	9	13
200A	in	2.6	5.3	8.0	6.8	6.8	3.8	3.0	7.3	3.8	1.4	2.6	0.3	1.3	0.4	0.7
	mm	67	134	203	172	172	97	75	186	97	35	67	8	32	9	19
400A	in	3.5	7.0	10.6	8.0	8.0	4.8	4.1	8.7	4.8	2.0	3.5	0.3	1.6	0.4	0.7
	mm	88	177	268	202	202	121	105	220	121	50	88	8	41	9	19