

# TELE-POWER® POLES



Tele-Power® Poles provides a cost-effective, configurable solution for distributing power and communication services to open spaces.



## CODE REFERENCE

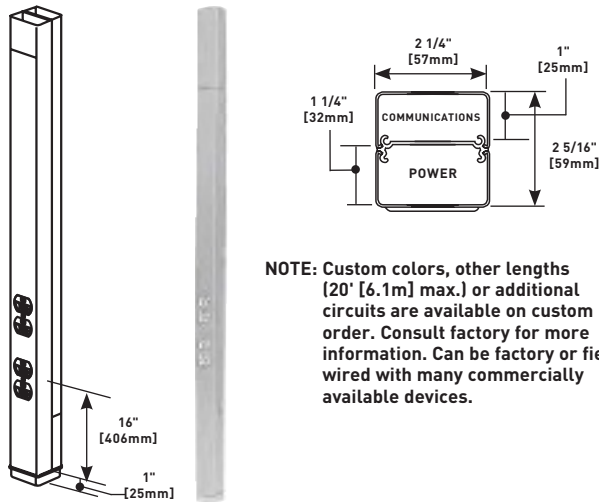
**cULus Listed Multioutlet Assemblies:**  
File E15191, E178348 Guide PVGT

**Raceway Fittings:** File E41751 Guide RJPR

**Accessories:** File E53857 Guide RVUR

Meets Article 380 & 386 of NEC.

## Steel Tele-Power Poles Ordering Information



**NOTE:** Custom colors, other lengths (20' [6.1m] max.) or additional circuits are available on custom order. Consult factory for more information. Can be factory or field wired with many commercially available devices.



Tele-Power Poles provide a wide range of options for distributing services from overhead systems to open space office, commercial, and retail areas.

## COLOR OPTIONS



25DTP/DTC Series Tele-Power Poles are now available in two colors: ivory and designer gray. Custom color options are also available. Consult the factory for more information.

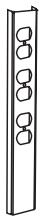
## TELE-POWER® POLES

## Tele-Power Poles Device Plate Covers and Accessories Ordering Information

**AMDTP-A, 25DTP-A Add-On Power Cover**

Add power receptacles or devices to existing modular Tele-Power Poles. Includes receptacle mounting bracket. Face diameter of single receptacle: 1.38"-1.40" [35mm-36mm].

	COLOR	DIMENSIONS
25DTP-A:	Ivory Steel [25DTP-4]	1" x 2 1/4" x 28" [25mm x 57mm x 711mm]
AMDTP-A:	Anodized Aluminum [AMDTP-4]	

**AMDTP-B, 25DTP-B Add-On Power Cover**

Add power receptacles or devices to existing modular Tele-Power Poles. Includes receptacle mounting bracket.

	COLOR	DIMENSIONS
25DTP-B:	Ivory Steel [25DTP-4]	1" x 2 1/4" x 28" [25mm x 57mm x 711mm]
AMDTP-B:	Anodized Aluminum [AMDTP-4]	

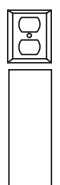
**AMDTP-L, 25DTP-L Add-On Power Cover**

Add power receptacles or devices to existing modular Tele-Power Poles. Includes receptacle mounting bracket.

	COLOR	DIMENSIONS
25DTP-L:	Ivory Steel [25DTP-4]	1" x 2 1/4" x 28" [25mm x 57mm x 711mm]
AMDTP-L:	Anodized Aluminum [AMDTP-4]	

**30TP-A Single Receptacle Cover**

Single receptacle cover for field installation of receptacles with face diameters of 1.38"-1.40" [35mm-36mm]. G3007C Device Bracket included. Ivory finish.

**30TP-B Duplex Receptacle Cover**

For installations of 15A and 20A duplex receptacles. G3007C Device Bracket included. Ivory finish.

**30TP-C Single Gang Cover**

Accepts up to 30A shallow-style device and flushplate. G3007C Device Bracket included. Ivory finish. Used to mount industry standard straight and angled communication faceplates.

**30TP-J Single Receptacle Cover**

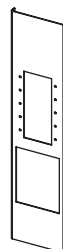
For field installation of single receptacles with face diameters of 1.56" [40mm]. G3007C Device Bracket included. Ivory finish.

**30TP-L Rectangular Device Cover**

Rectangular faceplate to accommodate Sentrex surge receptacle, GFCI and other decorator style devices. G3007C Device Bracket included. Ivory finish.

**30TP-AAP Add-on A/V Cover**

Accepts three Extron® Electronics AAP plates 12" L x 2.75" W [305mm x 70mm]. Includes three adapters to accommodate Ortronics® or Wiremold Open System devices.

**30TP-MAAP Add-on A/V Cover**

Accepts five Legrand AVIP or Extron® Electronics MAAP plates 12" L x 2.75" W [305mm x 70mm]. Includes three adapters to accommodate Ortronics® or Wiremold Open System devices.