

MOUNTING FEET, FLOOR STANDS

Mounting feet for small and medium-sized enclosures



JIC Wall mounting feet

CATALOG # : 885 ESCHMF
 Four mounting feet & hardware incl.
 Mounted vertically or horizontally.
 Material : Zinc cast
 For use with : ESCH series,
 1100, ESSC...



'ESFR' Wall mounting feet

CATALOG # : 885 ESFRMF
 Four mounting feet & hardware incl.
 Mounted vertically or horizontally.
 Material : Plastic
 For use with : ESFRS, ESFRH,
 ESFRQ



'ES' Wall mounting feet

CATALOG # : 885 ESMF1
 Four mounting feet & hardware incl.
 Mounted vertically or horizontally.
 Material : Plated steel
 For use with : ES series, ESDD,
 5300 MC, ESA, ESY



SS Wall mounting feet

CATALOG # : 885 ESMF2
 Four mounting feet & hardware incl.
 Mounted vertically or horizontally.
 Material : Stainless steel
 For use with : ESS series, ESSDD
 ESSA, ESSY...



Offset mounting feet 0.5"

CATALOG # : 885 ESOMF1
 Four mounting feet & hardware incl.
 Mounted vertically or horizontally.
 Material : Plated steel
 For use with : ES series, ESDD,
 5300 MC, ESA, ESY



SS offset mounting feet 0.5"

CATALOG # : 885 ESOMF2
 Four mounting feet & hardware incl.
 Mounted vertically or horizontally.
 Material : Stainless steel
 For use with : ESS series, ESSDD
 ESSA, ESSY...



Offset mounting feet 1.5"

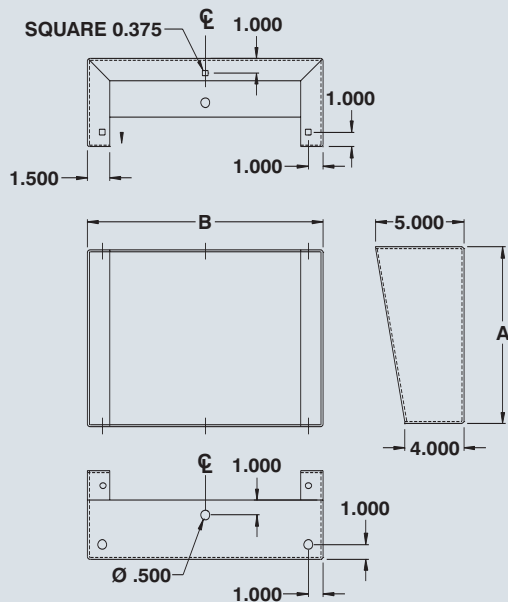
CATALOG # : 885 ESOMF1A
 Four mounting feet & hardware incl.
 Mounted vertically or horizontally.
 Material : Plated steel
 For use with : ES series, ESDD,
 5300 MC, ESA, ESY



SS offset mounting feet 1.5"

CATALOG # : 885 ESOMF2A
 Four mounting feet & hardware incl.
 Mounted vertically or horizontally.
 Material : Stainless steel
 For use with : ESS series, ESSDD
 ESSA, ESSY...

5412 & 5500 series floor mounting stands



The 885 MF - Floor mounting feet are made from 14 GA steel, pre-drilled for fixation to the floor and to the bottom of the 5412 and 5500 series enclosures. Kits come complete with all necessary hardware. Mounting feet are finished with heat fused polyester powder, electrostatically applied on a phosphatized base. Finish is ANSI/ASA 61 gray.

CATALOG NUMBER	DIMENSIONS		SHIP WGT LBS.	CATALOG NUMBER	DIMENSIONS		SHIP WGT LBS.
	A	B			A	B	
885 MF0606	6	6	14	885 MF1516	15	16	37
885 MF0608	6	8	16	885 MF1520	15	20	44
885 MF0610	6	10	17	885 MF1524	15	24	45
885 MF0612	6	12	18	885 MF1806	18	6	28
885 MF0616	6	16	21	885 MF1808	18	8	32
885 MF0620	6	20	25	885 MF1810	18	10	36
885 MF0624	6	24	28	885 MF1812	18	12	41
885 MF1206	12	6	21	885 MF1816	18	16	47
885 MF1208	12	8	23	885 MF1820	18	20	49
885 MF1210	12	10	26	885 MF1824	18	24	51
885 MF1212	12	12	32	885 MF2406	24	6	38
885 MF1216	12	16	35	885 MF2408	24	8	40
885 MF1220	12	20	40	885 MF2410	24	10	45
885 MF1224	12	24	42	885 MF2412	24	12	50
885 MF1506	15	6	23	885 MF2416	24	16	58
885 MF1508	15	8	25	885 MF2420	24	20	65
885 MF1510	15	10	28	885 MF2424	24	24	70
885 MF1512	15	12	34				

* Add suffix 'SS' for stainless.

Data subject to change without notice.