

**Product Specifications**

- ◆ Overhead or underground service entrance positioning.
- ◆ For overhead or underground service, main entry (line side) must be via hub provision in left hand trough (See page 18 for hub selection).
- ◆ Two through six position models available
- ◆ Troughs are factory bussed for 200A from main lugs to the line side of all positions.
- ◆ Cable entry trough standard feature for ease of wiring.
- ◆ Left hand service entry only.
- ◆ Type 3R enclosure rating.
- ◆ CSA approved for copper or aluminum wiring.
- ◆ 4 Jaw configuration standard, optional 5<sup>th</sup> jaw available for 6 or 9 o'clock position mounting (See page 20).
- ◆ Tunnel style line, load and neutral lugs.

**Product Selection**

**Table 16. 200A 600VAC Maximum Multi-Gang Combination Overhead/Underground Service Meter Socket**

| Catalogue Number | Mains Amperage (A) | Per Position Amperage (A) | Meter Positions  | Enclosure Rating | Knockouts (quantity & type) |                  | Weight lbs (kg)                                   | Dimensions in (mm)                                 | Lug Capacity (Cu/Al) |        |           |
|------------------|--------------------|---------------------------|------------------|------------------|-----------------------------|------------------|---------------------------------------------------|----------------------------------------------------|----------------------|--------|-----------|
|                  |                    |                           |                  |                  | Sides                       | Bottom           |                                                   |                                                    | Line                 | Load   |           |
| 2KN1             | 200                | 100                       | 2                | Type 3R          | (1) I                       | (3)H, (1)J, (1)A | 22 (10.0)                                         | 12-1/8 x 23-3/16 x 4-3/4 (308.0 x 589.0 x 120.7)   | #6-250MCM            | #6-1/0 |           |
| 3KN1             |                    |                           | 3                |                  |                             | (4)H, (1)J, (1)A | 29 (13.8)                                         | 12-1/8 x 31 x 4-3/4 (308.0 x 787.4 x 120.7)        |                      |        |           |
| 4KN1             |                    |                           | 4                |                  |                             | (5)H, (1)J, (1)A | 38 (17.3)                                         | 12-1/8 x 38-5/8 x 4-3/4 (308.0 x 981.1 x 120.7)    |                      |        |           |
| 5KN1             |                    |                           | 5                |                  |                             | (6)H, (1)J, (1)A | 44 (20.0)                                         | 12-1/8 x 46-7/16 x 4-3/4 (308.0 x 1179.5 x 120.7)  |                      |        |           |
| 6KN1             |                    | 6                         | (7)H, (1)J, (1)A |                  |                             | 46 (20.9)        | 12-1/8 x 54-3/16 x 4-3/4 (308.0 x 1376.4 x 120.7) |                                                    |                      |        |           |
| 2K2              |                    | 200                       | 2                |                  |                             | (3)I, (1)J, (1)A | 35 (15.9)                                         | 15-1/8 x 26-3/16 x 5-1/8 (384.2 x 660.6 x 130.2)   |                      |        | #6-250MCM |
| 3K2              |                    |                           | 3                |                  |                             | (4)I, (1)J, (1)A | 48 (21.8)                                         | 15-1/8 x 35 x 5-1/8 (384.2 x 889.0 x 130.2)        |                      |        |           |
| 4K2              |                    |                           | 4                |                  |                             | (5)I, (1)J, (1)A | 68 (30.9)                                         | 15-1/8 x 43-11/16 x 5-1/8 (384.2 x 1109.7 x 130.2) |                      |        |           |

**Table 17. Conduit Knockout Legend**

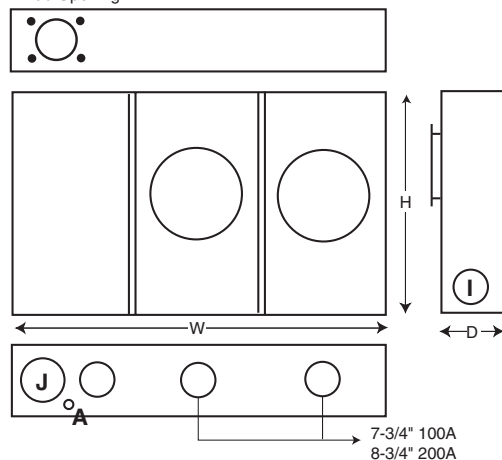
| Knockout Code <sup>①</sup> | Conduit Knockout Sizes         |
|----------------------------|--------------------------------|
| A                          | 1/2"                           |
| H                          | 1-1/4", 1-1/2", 2"             |
| I                          | 1-1/4", 1-1/2", 2", 2-1/2"     |
| J                          | 1-1/4", 1-1/2", 2", 2-1/2", 3" |

**Table 18. Neutral Lug Cable Capacities**

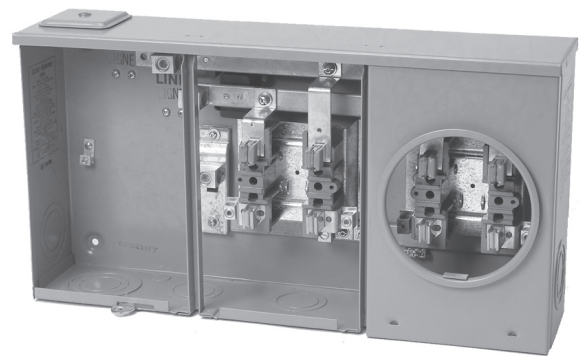
| Location    | Cable Size (Cu/Al) |
|-------------|--------------------|
| Main        | #6-250MCM          |
| 100A Branch | #14-1/0            |
| 200A Branch | #6-250MCM          |

<sup>①</sup> To determine knockout locations and quantity refer to knockouts column in table 9 and location map below.

2-1/2" Hub Opening



**Figure 6. 200A Overhead /Underground Service Multi-Gang Meter Socket Knockout Location Map**



**2KN1**