

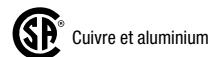
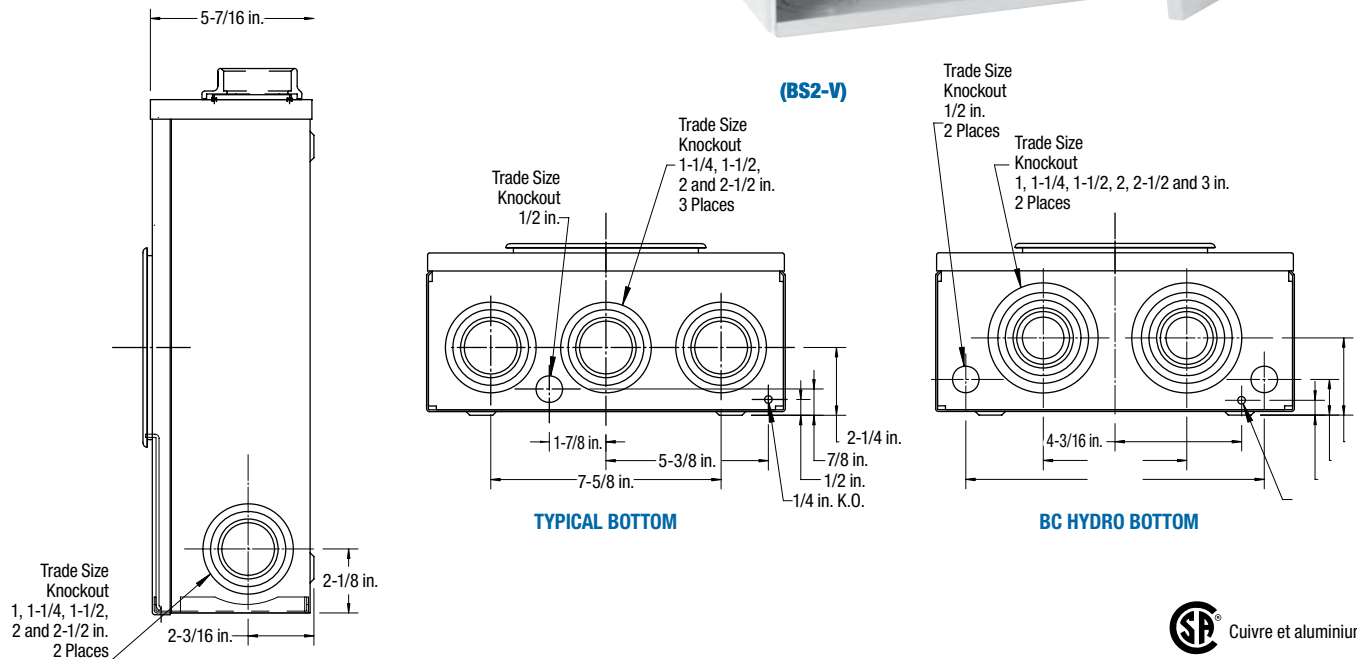
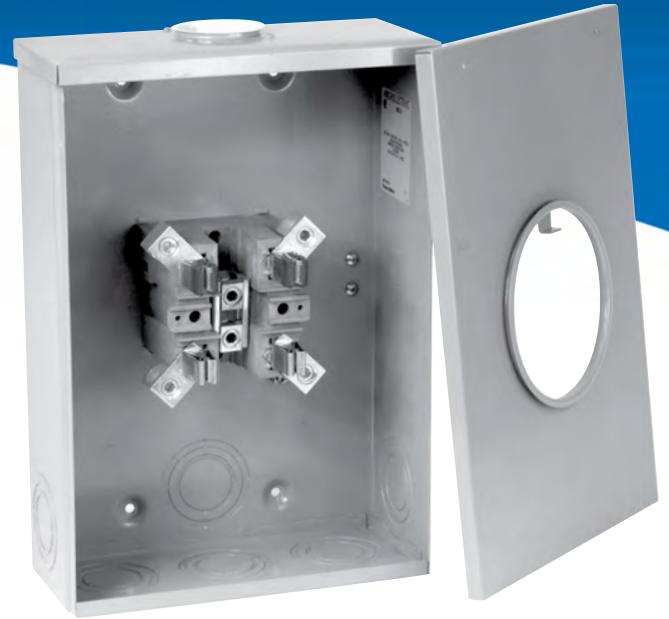
BS2 Series

200 A 600 V; Oversize Enclosure

Product Specifications

- Conductor range: 6 AWG-250 kcmil
- Aluminum tunnel type connectors for both load and line sides
- For overhead, underground and combination overhead/underground
- Supplied with screw type ring
- Weatherproof Type 3R enclosure
- **Primarily used in: B.C., AB, Sask., Man., Ont., N.S.**
- *** May be use in all regions**

NOTE: Supply from an underground network often requires use of stud type connector. Consult your local utility.



Cat. No.	Description	Dimensions (in.)			Weight Each	
		H	W	D	lb.	kg
4 JAW						
BS2-V	Overhead, hub opening	17-1/8	12	5-7/16	14	6.3
BS2-1 1/2 V	Overhead, hub opening c/w 1-1/2 in. hub					
BS2-2V	Overhead, hub opening c/w 2 in. hub					
BS2-TV	Underground					
BS2-TCV	Combination, overhead-underground					
BS2-TCVBC	Combination overhead-underground for British Columbia only	27-7/16				
BS2-TCVFA*	Combination OH and UG (Fortis Alberta approved) c/w 350 kcmil lug					
BS2-22VNH	Overhead, twin hub opening	17-1/8				
BS2-22VH	Overhead, twin hub opening c/w 2 in. hubs					
BS2-9-14V	Overhead, hub opening c/w 5 th jaw, 9 o'clock & insulated neutral					
FACTORY INSTALLED ACCESSORIES						
Include: -5	5 th jaw, standard capacity, 9 o'clock position					
-6	5 th jaw, full capacity, 6 o'clock position					
-9	5 th jaw, full capacity, 9 o'clock position					
-IN	Insulated neutral					
-GN	Ground lug on neutral					