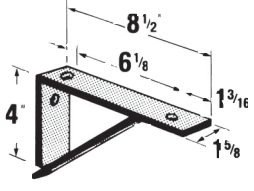
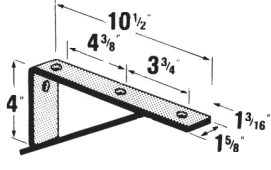
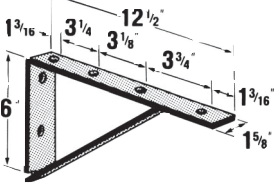
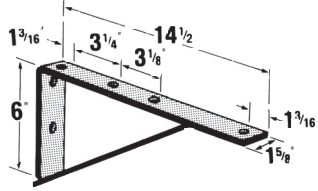
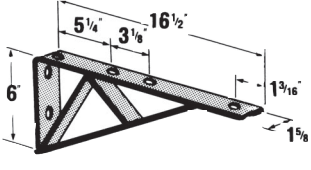
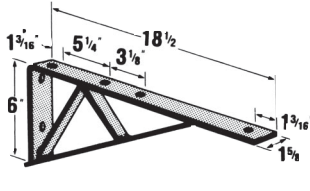


**Fittings and Brackets**

**SECTION 3**

**Brackets**

<p><b>S204</b></p>  <table border="1" data-bbox="349 493 592 609"> <thead> <tr> <th colspan="2">Design Uniform Load/Lb</th> </tr> </thead> <tbody> <tr> <td>A-1200</td> <td>750</td> </tr> <tr> <td>A-1400</td> <td>500</td> </tr> </tbody> </table> <p><b>S204HDGC</b> <b>S204</b> Wt./C 174 Lb</p>	Design Uniform Load/Lb		A-1200	750	A-1400	500	<p><b>S205</b></p>  <table border="1" data-bbox="828 493 1071 609"> <thead> <tr> <th colspan="2">Design Uniform Load/Lb</th> </tr> </thead> <tbody> <tr> <td>A-1200</td> <td>750</td> </tr> <tr> <td>A-1400</td> <td>500</td> </tr> </tbody> </table> <p><b>S205HDGC</b> <b>S205</b> Wt./C 264 Lb</p>	Design Uniform Load/Lb		A-1200	750	A-1400	500	<p><b>S217</b></p>  <table border="1" data-bbox="1282 493 1526 609"> <thead> <tr> <th colspan="2">Design Uniform Load/Lb</th> </tr> </thead> <tbody> <tr> <td>A-1200</td> <td>750</td> </tr> <tr> <td>A-1400</td> <td>650</td> </tr> </tbody> </table> <p><b>S217HDG</b> <b>S217</b> <b>S217SS6</b> Wt./C 264 Lb</p>	Design Uniform Load/Lb		A-1200	750	A-1400	650
Design Uniform Load/Lb																				
A-1200	750																			
A-1400	500																			
Design Uniform Load/Lb																				
A-1200	750																			
A-1400	500																			
Design Uniform Load/Lb																				
A-1200	750																			
A-1400	650																			
<p><b>S218</b></p>  <table border="1" data-bbox="357 903 609 1018"> <thead> <tr> <th colspan="2">Design Uniform Load/Lb</th> </tr> </thead> <tbody> <tr> <td>A-1200</td> <td>750</td> </tr> <tr> <td>A-1400</td> <td>650</td> </tr> </tbody> </table> <p><b>S218HDG</b> <b>S218</b> Wt./C 295 Lb</p>	Design Uniform Load/Lb		A-1200	750	A-1400	650	<p><b>S222</b></p>  <table border="1" data-bbox="820 903 1063 1018"> <thead> <tr> <th colspan="2">Design Uniform Load/Lb</th> </tr> </thead> <tbody> <tr> <td>A-1200</td> <td>1000</td> </tr> <tr> <td>A-1400</td> <td>750</td> </tr> </tbody> </table> <p><b>S222HDG</b> <b>S222</b> Wt./C 385 Lb</p>	Design Uniform Load/Lb		A-1200	1000	A-1400	750	<p><b>S226</b></p>  <table border="1" data-bbox="1291 903 1534 1018"> <thead> <tr> <th colspan="2">Design Uniform Load/Lb</th> </tr> </thead> <tbody> <tr> <td>A-1200</td> <td>1000</td> </tr> <tr> <td>A-1400</td> <td>750</td> </tr> </tbody> </table> <p><b>S226HDG</b> <b>S226</b> Wt./C 421 Lb</p>	Design Uniform Load/Lb		A-1200	1000	A-1400	750
Design Uniform Load/Lb																				
A-1200	750																			
A-1400	650																			
Design Uniform Load/Lb																				
A-1200	1000																			
A-1400	750																			
Design Uniform Load/Lb																				
A-1200	1000																			
A-1400	750																			