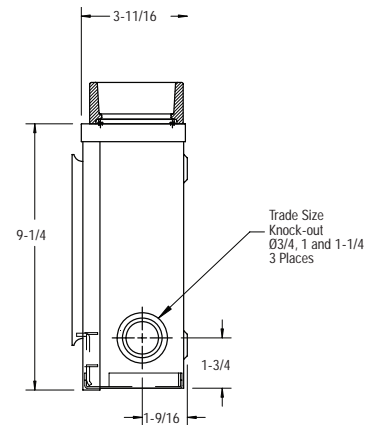
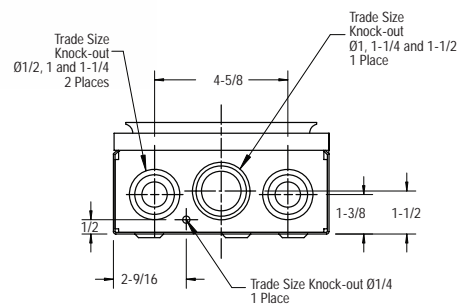


TRANSFORMER RATED METER SOCKETS • 20 AMP. 600 VOLTS MAX.

Product Specifications


- Conductor range: 14-10 AWG
- Circuit closing feature to short out current transformer upon removal of meter
- Supplied with screw type ring
- Weatherproof Type 3R enclosure
- **Primarily used in:** Sask., Man., Ont., N.B., N.S., P.E.I., NFLD



Ordering Information

Dimensions are in inches

CATALOGUE NUMBER	DESCRIPTION	DIMENSIONS (inches)			WEIGHT EACH	
		H	W	D	lb	kg
4 JAW						
CL4-V	Circuit closing on left side	9-1/4	7-5/8	3-11/16	7	3.1
CL4-LRV	Circuit closing both left and right sides	9-1/4	7-5/8	3-11/16	7	3.1
CL4-TV	Circuit closing on left side, no hub opening	9-1/4	7-5/8	3-11/16	7	3.1
5 JAW						
CL5-V	Circuit closing on left side (Lower right hand jaw is a support only)	9-1/4	7-5/8	3-11/16	7	3.1
6 JAW						
CL6-LRV	Circuit closing both left and right sides	9-1/4	7-5/8	3-11/16	7	3.1

 Approved for copper only.